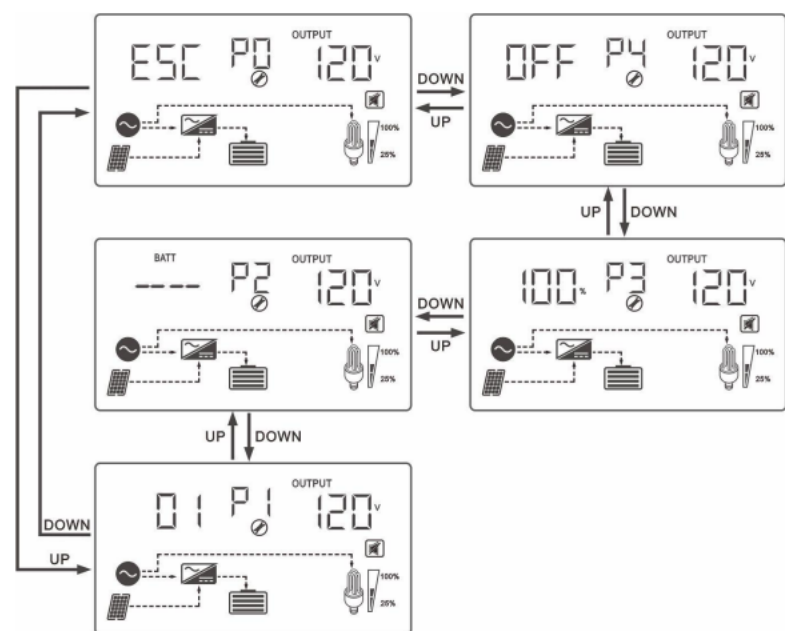


**3.3.4.2 Function menu:** From any Status screen, long press the Funct button for 5 seconds to enter the Function menu. Press DOWN or UP to scroll through the different parameters P0-P4. Then, after reaching the desired parameter P0-P4, short press Funct to highlight that parameter's setting (the setting will be blinking). Then press DOWN or UP to change the setting. After achieving the desired setting, press Funct so that the parameter P0-P4 is blinking, press DOWN or UP until "P0" is blinking, and then short press Funct to save the setting and exit the Function menu (you can change multiple parameter settings before exiting). The functions of P0-P4 are as follows:

Main Menu	Functions
P4	Buzzer mode
P3	Inverter charging current
P2	N/A (This parameter is intentionally left blank)
P1	Inverter operating mode
P0	Save & Exit

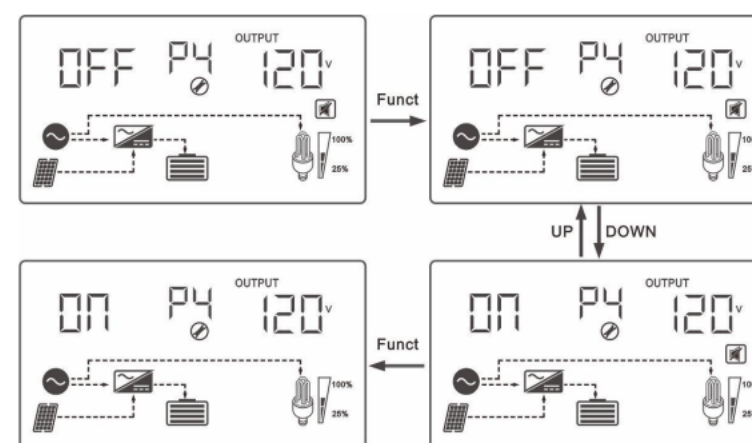


**3.3.5 Parameter Settings**

**3.3.5.1 AC Input Alarm setting**

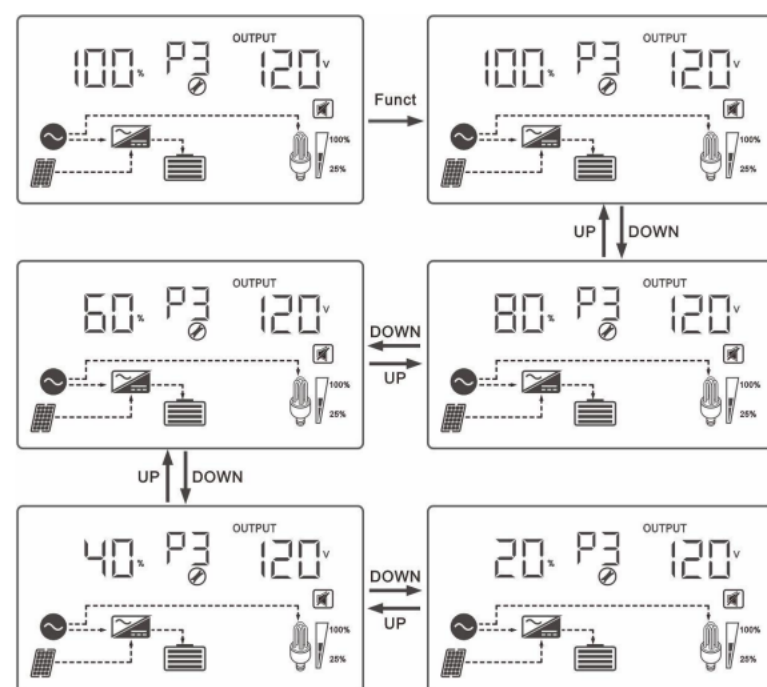
From any Status screen, long press the Funct button for 5 seconds to enter the Function menu. Press DOWN or UP until the Beeper noise parameter "P4" is blinking. Press the Funct button to highlight the setting ("OFF" or "ON" will be blinking). Turn On/Off the Alarm noise using the DOWN or UP button. Press the Funct button so that "P4" is blinking, press DOWN or UP until "P0" is blinking, and then press the Funct button to save and exit.

Explanation: When this setting is ON, an alarm sounds every 15-seconds if the inverter is running without AC input connected. When this setting is OFF, this particular alarm is disabled. All other operational/fault alarms remain enabled in either setting.



**3.3.5.2 Inverter AC charging current setting**

From any Status screen, long press the Funct button for 5 seconds to enter the Function menu. Press DOWN/UP until the Inverter charging current parameter "P3" is blinking. Press the Funct button to highlight the setting (the % value will be blinking). Press DOWN or UP to change the AC charging current of the unit (100%, 80%, 60%, 40%, or 20% of maximum capacity). Press the Funct button so that "P3" is blinking, press DOWN or UP until "P0" is blinking, and then press the Funct button to save and exit.



**3.3.5.3 Error codes and solutions**

Error code	Problem	Solution
E01	MOSFETS board over-current	Turn unit OFF and ON. If problem persists, contact support.
E02	Output short circuit	Inspect loads for signs of short circuit (e.g. bare wires, contact damage, etc.). Remove loads.
E03	Output overload	View Inverter Load % via Status screen. Remove unnecessary loads.
E04	Internal Temperature above Limit	Check cooling fan operation. Remove any dust. Maintain 10cm free space around unit.
E05	Battery over-voltage	Check external battery connection, configuration, and voltage (see section 4.4).
E06	Battery under-voltage	Make sure battery is fully charged. If problem persists, battery must be replaced. Contact support.
E07	Reversed connecting cables between transformer and heatsink on power board	Cables must be reconnected. Contact support.
E08	Start Protection from low output voltage	Turn unit OFF and ON. If problem persists, contact support.