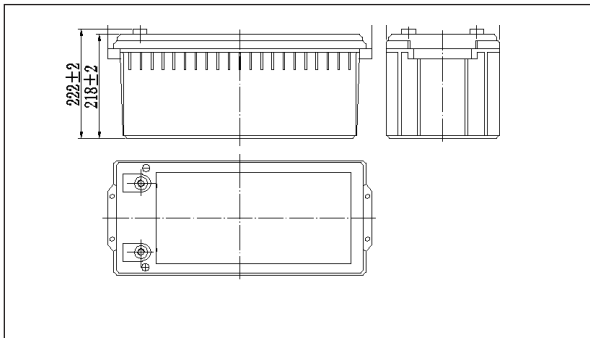


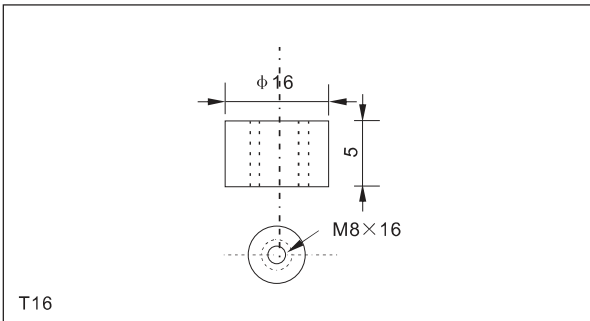
Specifications

| | | |
|-------------------------------|--------------|---------------------|
| Nominal Voltage | | 12V |
| Rated capacity (10 hour rate) | | 200Ah |
| Dimensions | Length | 522±2mm(20.55inch) |
| | Width | 238±2mm(9.37inch) |
| | Height | 218±2mm(8.58inch) |
| | Total Height | 222±2mm(8.74inch) |
| Approx. Weight | | 62.5kg(137.8lbs)±3% |

Outer dimensions (mm)



Terminal Type (mm)



Characteristics

| | | |
|---|-------------|---|
| Capacity (25°C) | 10HR(10.8V) | 200Ah |
| | 3HR(10.8V) | 150Ah |
| | 1HR(10.5V) | 110Ah |
| Terminal type | | T16 |
| Internal resistance (Fully charged, 25°C) | | Approx. 3.3mΩ |
| Capacity affected by temperature (10HR) | 40°C | 102% |
| | 25°C | 100% |
| | 0°C | 85% |
| | -15°C | 65% |
| Self-discharge (25°C) | 3 months | Remaining Capacity: 91% |
| | 6 months | Remaining Capacity: 82% |
| | 12 month | Remaining Capacity: 65% |
| Nominal operating temperature | | 25°C ± 3°C (77°F ± 5°F) |
| Operating temperature range | Discharge | -15°C ~ 50°C (5°F ~ 122°F) |
| | Charge | -10°C ~ 50°C (14°F ~ 122°F) |
| | Storage | -20°C ~ 50°C (-4°F ~ 122°F) |
| Float charging voltage (25°C) | | 13.50 to 13.80V Temperature compensation: -18mV/°C |
| Cyclic charging voltage (25°C) | | 14.40 to 14.70V Temperature compensation: -30mV/°C |
| Maximum charging current | | 40A |
| Maximum discharge current | | 1400A (5 sec.) |
| Designed floating life (20°C) | | 12 years |

Construction

| Component | Positive plate | Negative plate | Container | Cover | Separator | Electrolyte | Safety valve | Terminal |
|--------------|----------------|----------------|-----------|-------|-----------|-------------|--------------|----------|
| Raw material | Lead dioxide | Lead | ABS | ABS | AGM | Gel | Rubber | Copper |

Constant Current Discharge Characteristics Unit: A (25°C, 77°F)

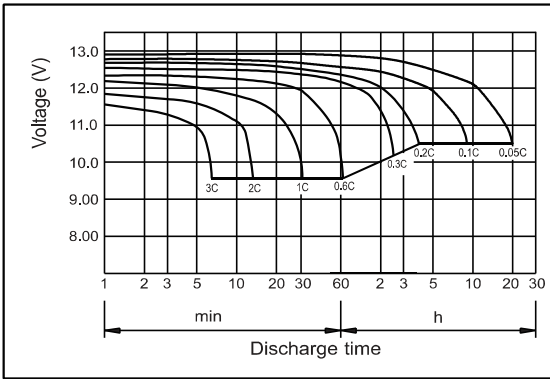
| F.V/Time | 15min | 30min | 60min | 2h | 3h | 4h | 5h | 6h | 8h | 10h | 20h |
|----------|-------|-------|-------|------|------|------|------|------|------|------|------|
| 9.60V | 320 | 194 | 120 | 73.1 | 52.0 | 40.8 | 34.7 | 30.6 | 24.5 | 20.4 | 10.8 |
| 9.90V | 312 | 190 | 118 | 72.6 | 51.7 | 40.6 | 34.5 | 30.4 | 24.3 | 20.3 | 10.8 |
| 10.2V | 301 | 184 | 115 | 72.0 | 51.4 | 40.3 | 34.2 | 30.2 | 24.2 | 20.3 | 10.7 |
| 10.5V | 291 | 180 | 112 | 70.9 | 51.0 | 40.0 | 34.0 | 30.0 | 24.0 | 20.1 | 10.7 |
| 10.8V | 275 | 173 | 108 | 69.1 | 50.0 | 38.8 | 33.0 | 29.1 | 23.3 | 20.0 | 10.6 |

Constant Power Discharge Characteristics Unit: W (25°C, 77°F)

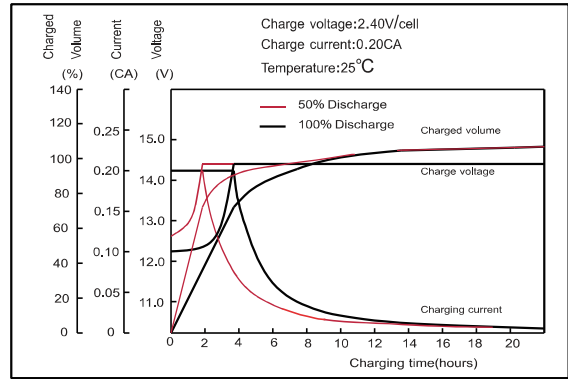
| F.V/Time | 15min | 30min | 60min | 2h | 3h | 4h | 5h | 6h | 8h | 10h | 20h |
|----------|-------|-------|-------|-----|-----|-----|-----|-----|-----|-----|-----|
| 9.60V | 3514 | 2177 | 1368 | 846 | 612 | 480 | 410 | 362 | 291 | 243 | 129 |
| 9.90V | 3429 | 2133 | 1347 | 841 | 608 | 477 | 408 | 360 | 289 | 243 | 129 |
| 10.2V | 3303 | 2068 | 1313 | 834 | 604 | 474 | 405 | 357 | 287 | 242 | 129 |
| 10.5V | 3190 | 2018 | 1272 | 821 | 600 | 470 | 402 | 355 | 285 | 240 | 128 |
| 10.8V | 3022 | 1944 | 1231 | 800 | 588 | 456 | 390 | 344 | 277 | 239 | 127 |

Note: The above characteristics data can be obtained within three charge or discharge cycles.

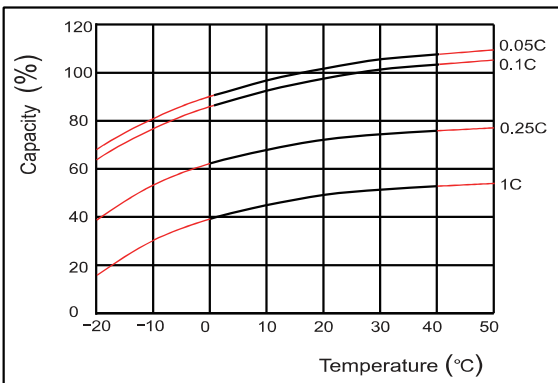
● Discharge characteristics(25°C)



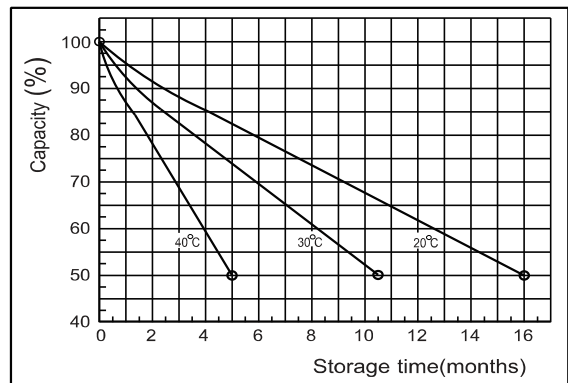
● Charging characteristics (25°C)



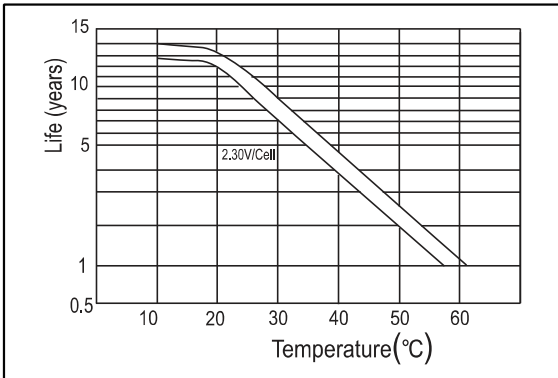
● Temperature effects on Capacity



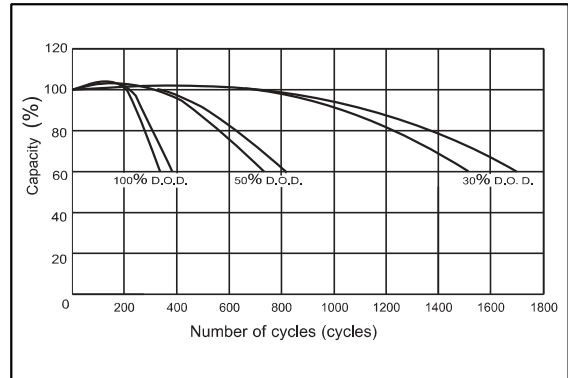
● Self-discharge characteristics



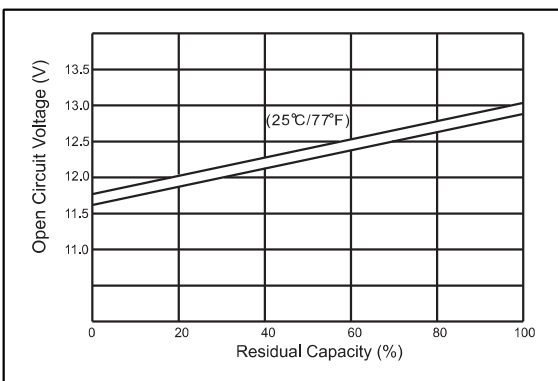
● Floating life on Temperature



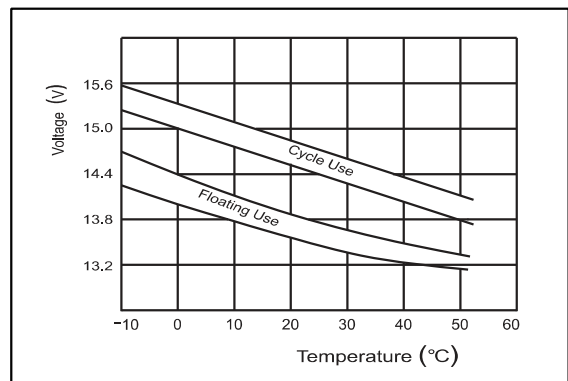
● Cycle life on D.O.D (25°C)



● The relationship for OCV and Capacity (25°C)



● The relationship for Charging voltage and Temperature



Power Your Green Life!