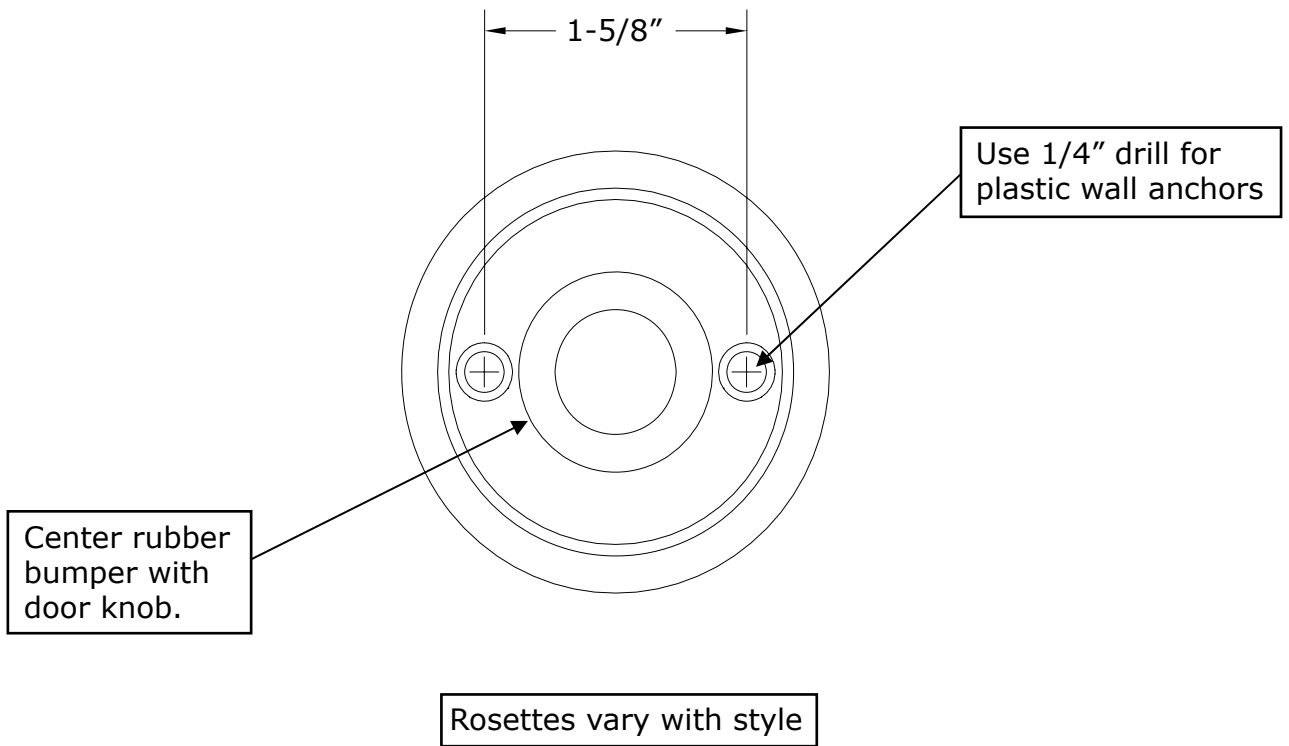


1. Drill Holes



2. Install Door Bumper

