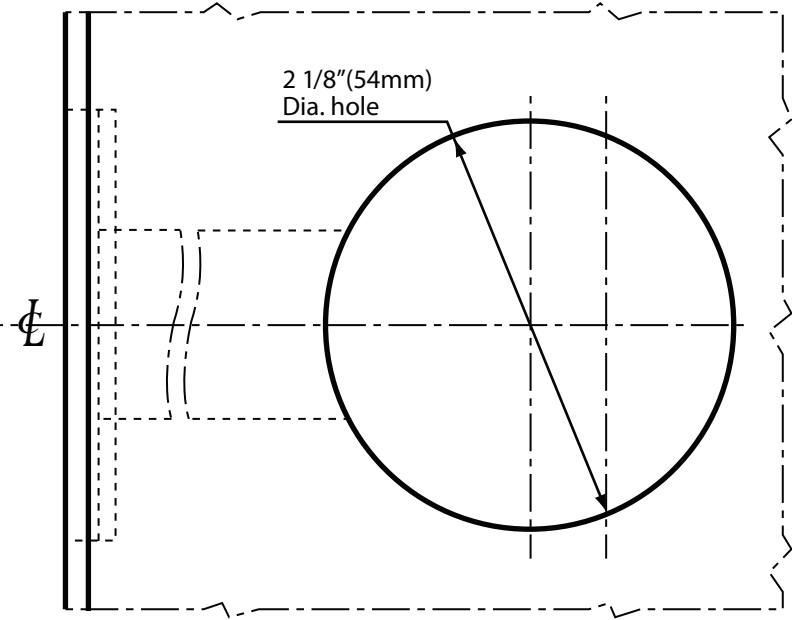
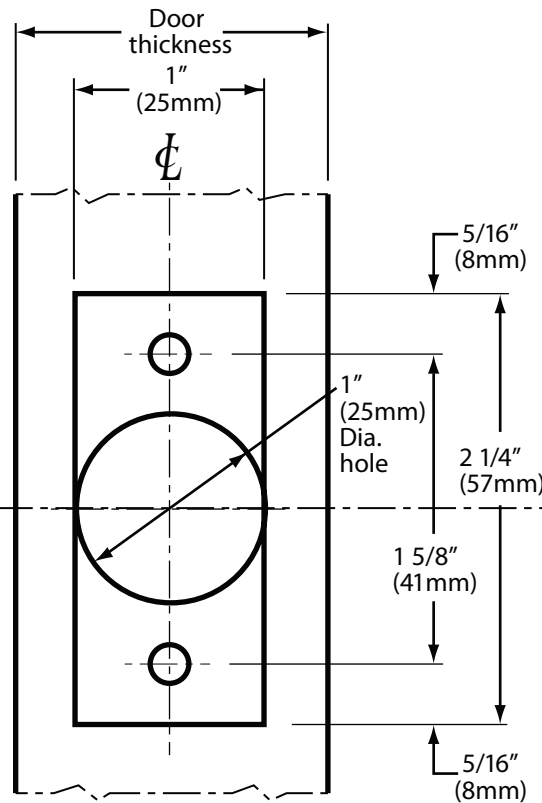
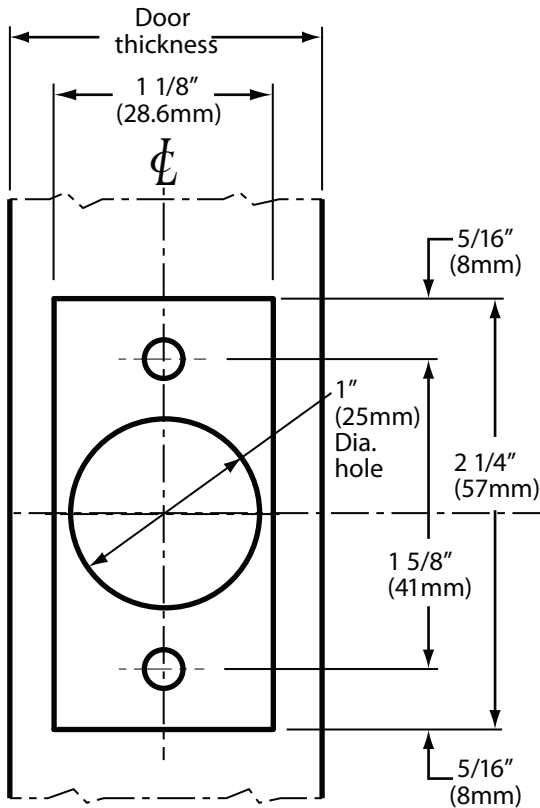
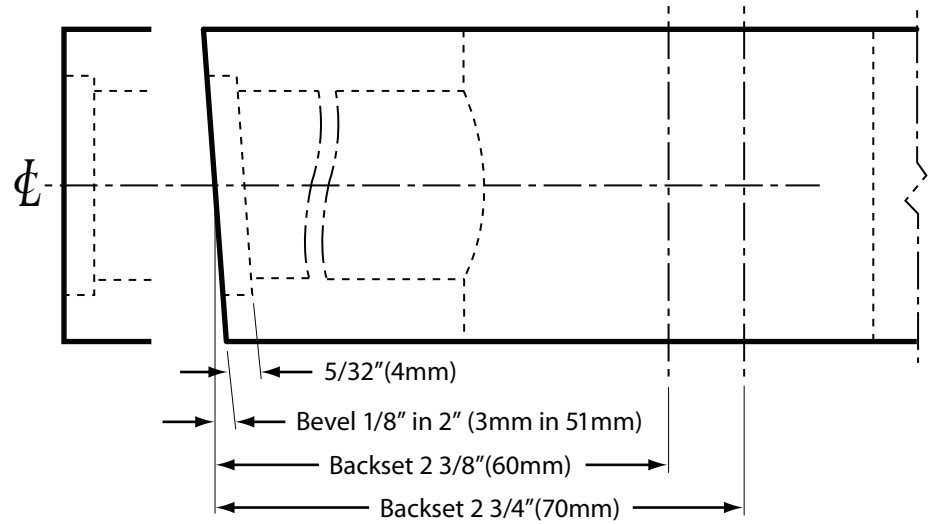
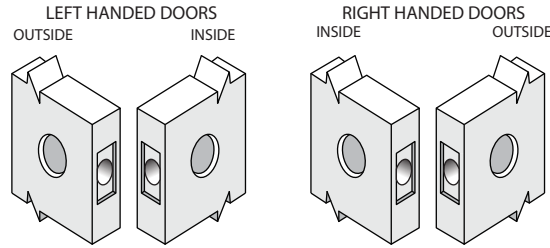


**Standard Packaging:**

1. Adjustable latch bolt 2-3/8" - 2-3/4".
2. Face plate 1" x 2-1/4".
3. Plastic filler for 1-1/8" latch prep.

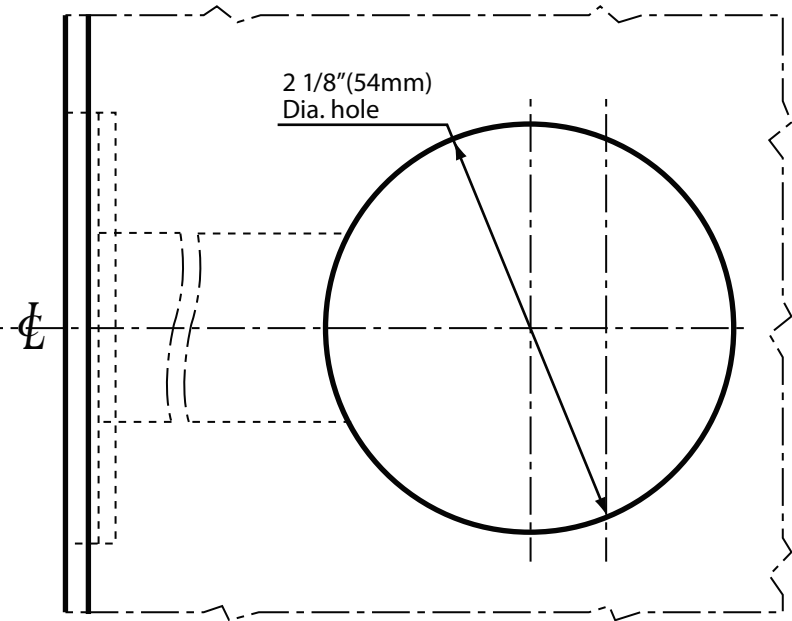
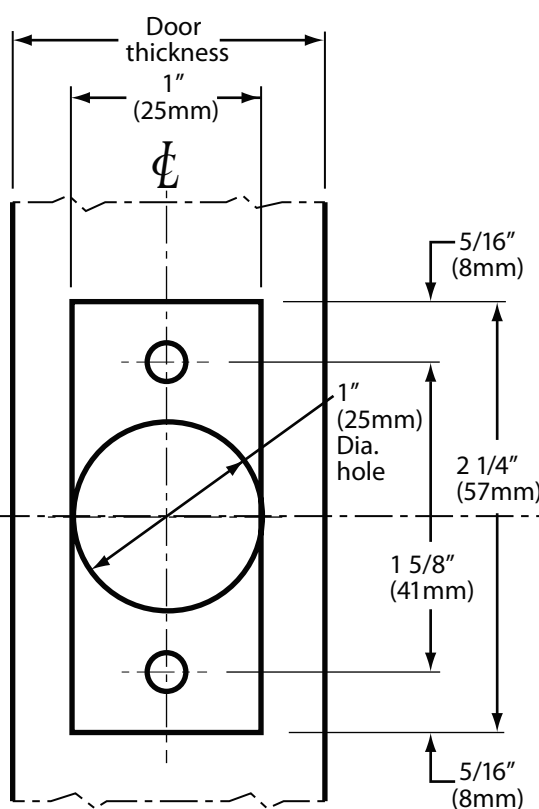
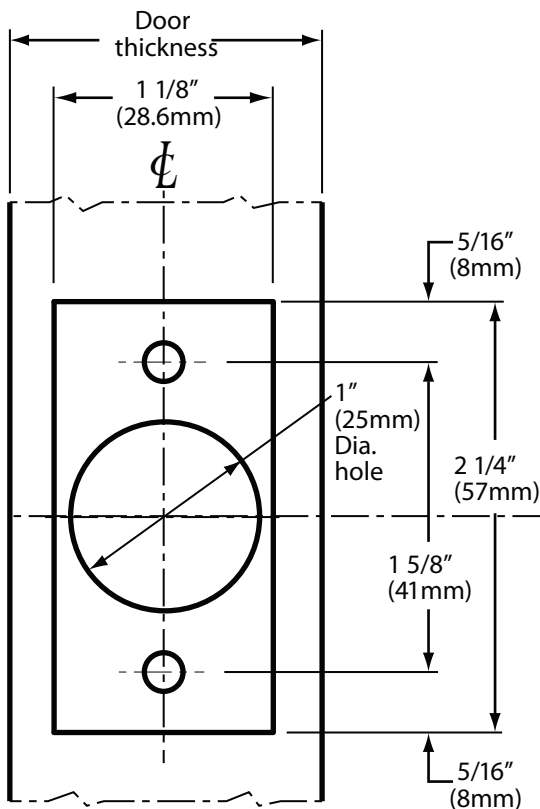
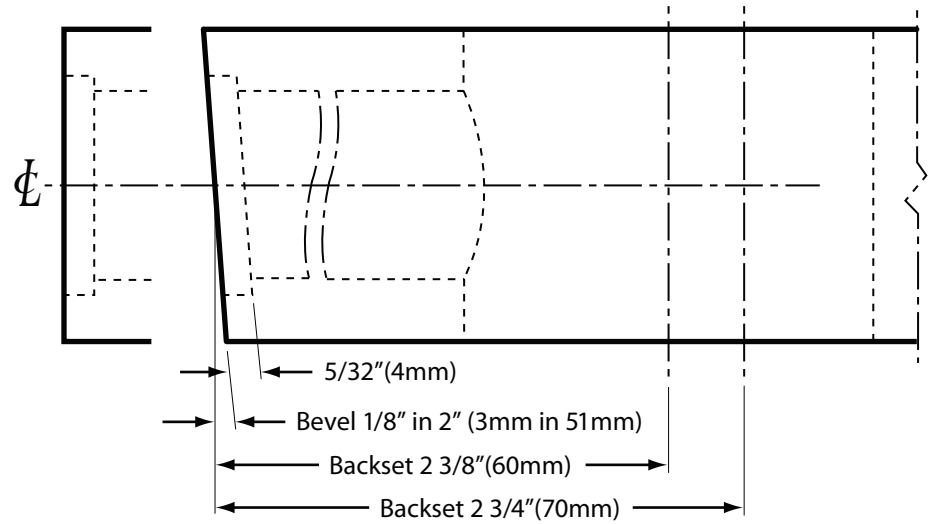
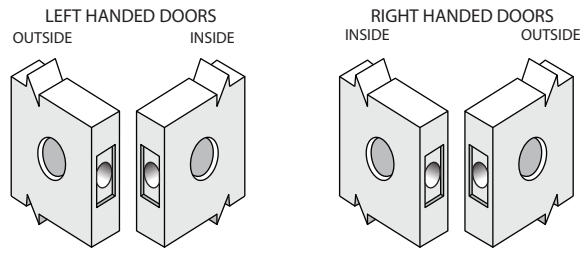


6605 Flotilla St.  
 City of Commerce  
 CA 90040 USA  
 Tel: (323) 888-6601  
 Fax: (323) 888-6699  
 Website: cal-royal.com  
 Email: sales@cal-royal.com

ITEM NO.	DESCRIPTION	ANSI	SCALE	UNIT	VERSION
<b>ULT360</b>	SINGLE CYLINDER HEAVY DUTY DEADBOLT	A156.5 Grade 2	1 : 1	inches (mm)	ver. 1.0 rev. 01/12
			PAGE 1 OF 1		<b>BY:</b> bteves/adg

**Standard Packaging:**

1. Adjustable latch bolt 2-3/8" - 2-3/4".
2. Face plate 1" x 2-1/4".
3. Plastic filler for 1-1/8" latch prep.



6605 Flotilla St.  
City of Commerce  
CA 90040 USA  
Tel: (323) 888-6601  
FAX: (323) 888-6699  
Website: cal-royal.com  
Email: sales@cal-royal.com

ITEM NO.	DESCRIPTION	ANSI	SCALE	UNIT	VERSION
<b>ULT362</b>	DOUBLE CYLINDER HEAVY DUTY DEADBOLT	A156.5 Grade 2	1 : 1	inches (mm)	ver. 1.0 rev. 01/12
			PAGE 1 OF 1		<b>BY:</b> bteves/adg