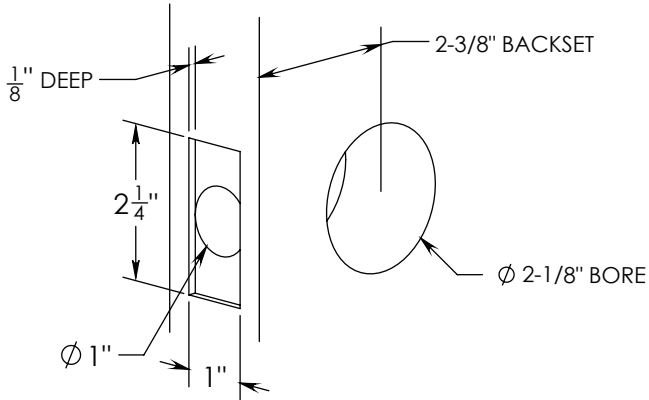


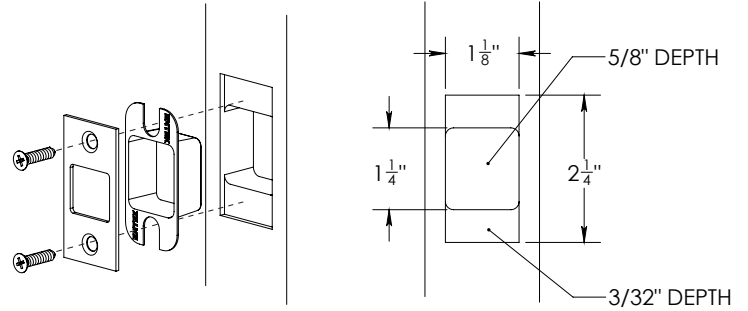
Installation Instructions - Tubular Pocket Door Lock, Privacy Function

EMTEK®

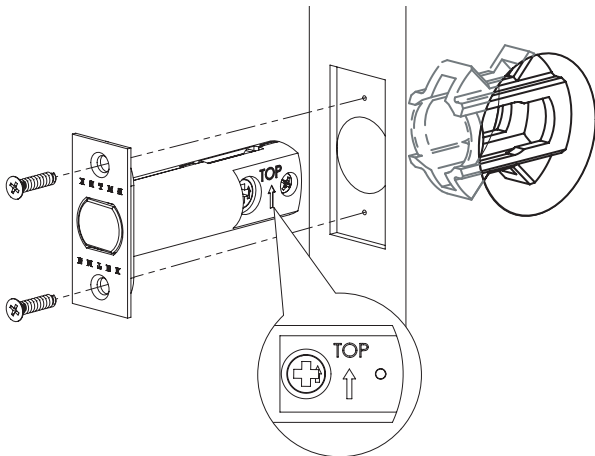
1. Door Prep



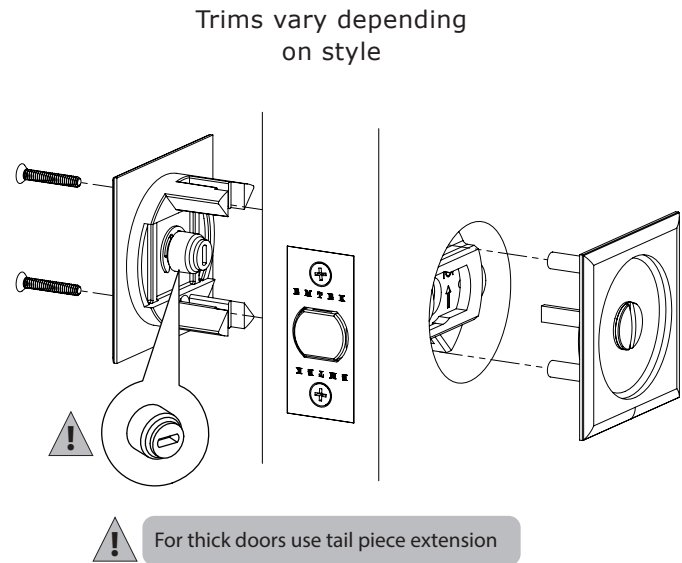
2. Jamb Prep



3. Install Latch



4. Install Interior and Exterior Trims

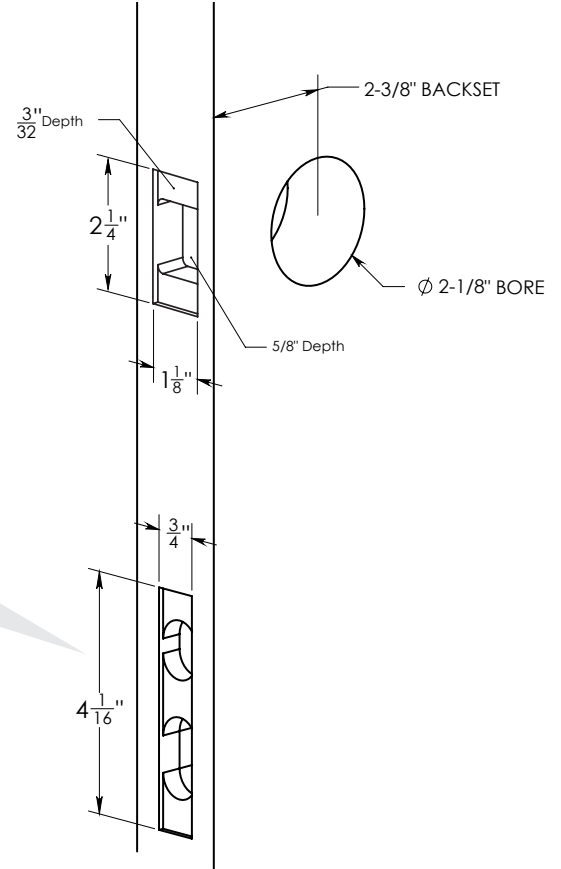
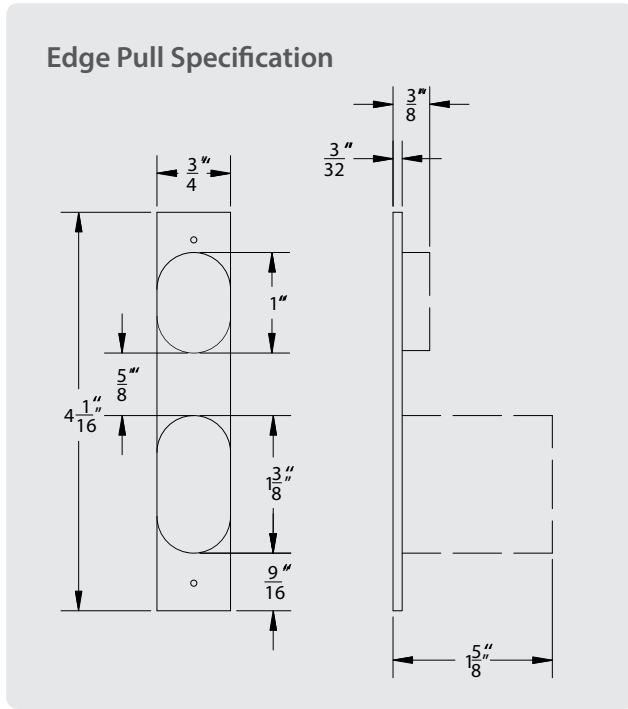


Installation Instructions

Tubular Pocket Door Lock, Dummy for Double Door Application

EMTEK

1. Door Prep



2. Dummy for Double Door Application

Privacy Strike Plate and Dust Box
(Included with Privacy Lock Purchase)

