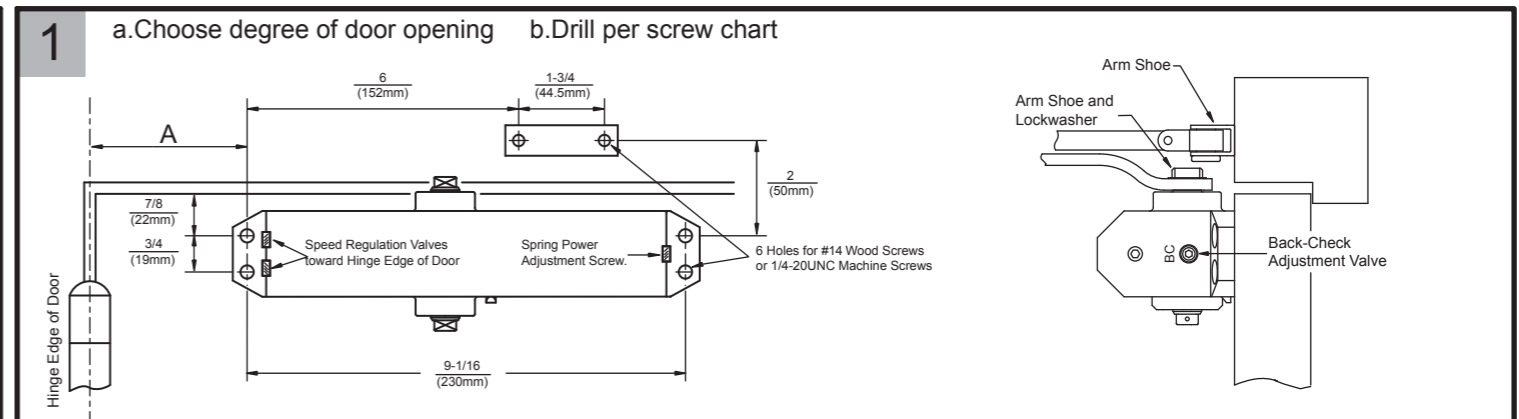
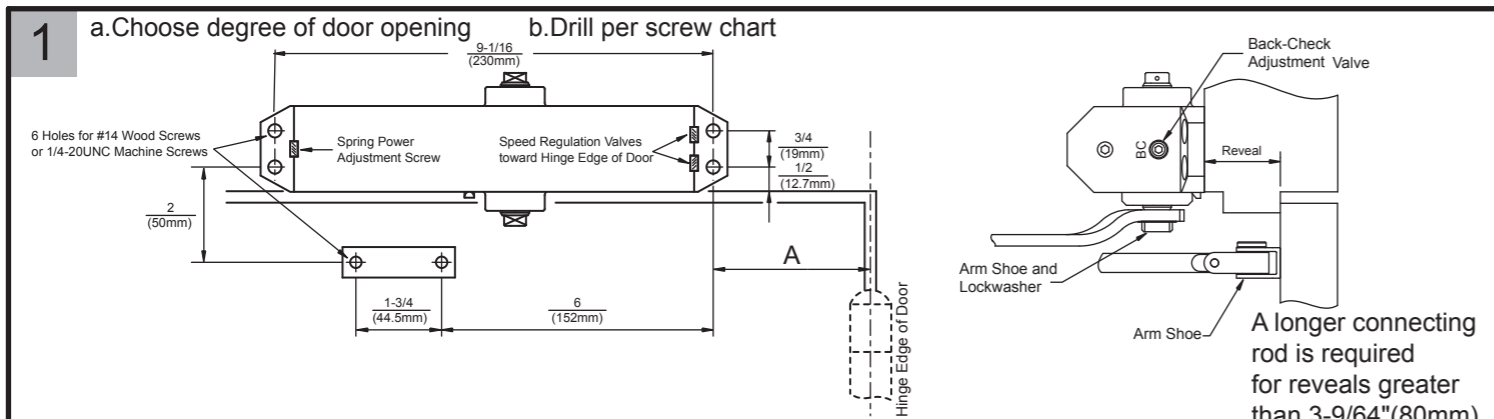


# TOP JAMB INSTALLATION CLOSER MOUNTED TOP JAMB ON PUSH SIDE OF DOOR

# STANDARD INSTALLATION CLOSER MOUNTED ON PULL SIDE OF DOOR

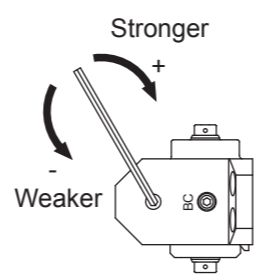


## LEFT HAND DOOR ILLUSTRATED

Opening Inches (mm)	Dimension
	A
TO 100°	7 (178)
TO 120°	6 (152)
TO 180°	3-1/2 (89)

## Adjust spring power to match chart

Opening	Closer Size	Clockwise Turns Of Adjustment Screw
TO 100°	V	12
	IV	6
	III	0
TO 120°	IV	12
	III	6
	II	0
TO 180°	III	12
	II	6
	Ⓜ	0

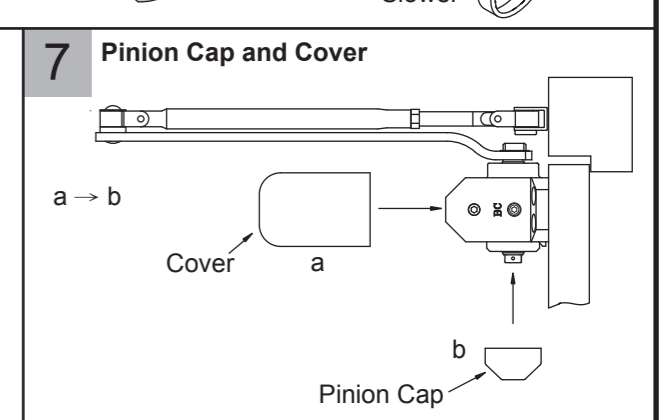
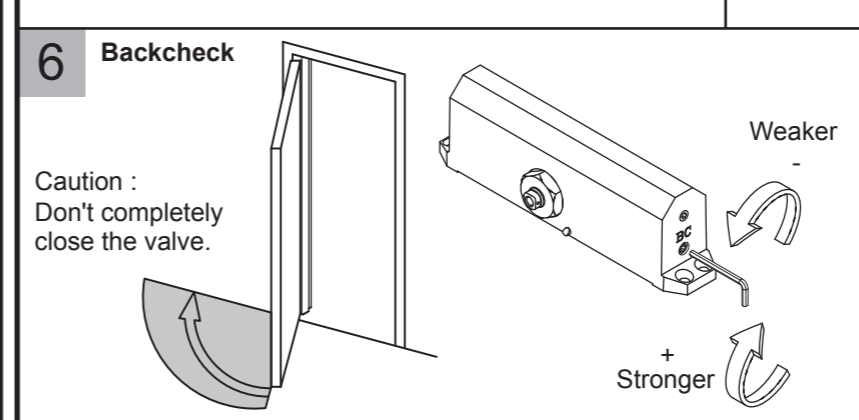
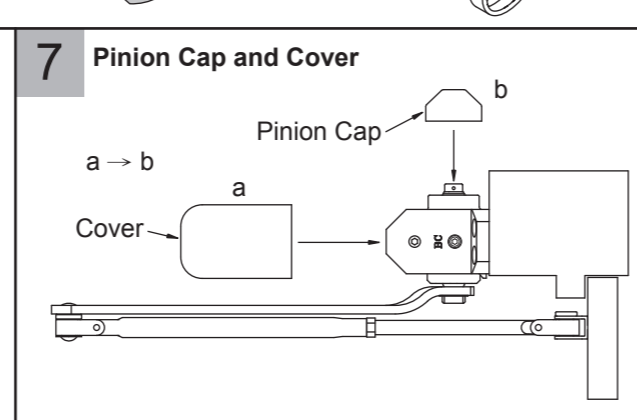
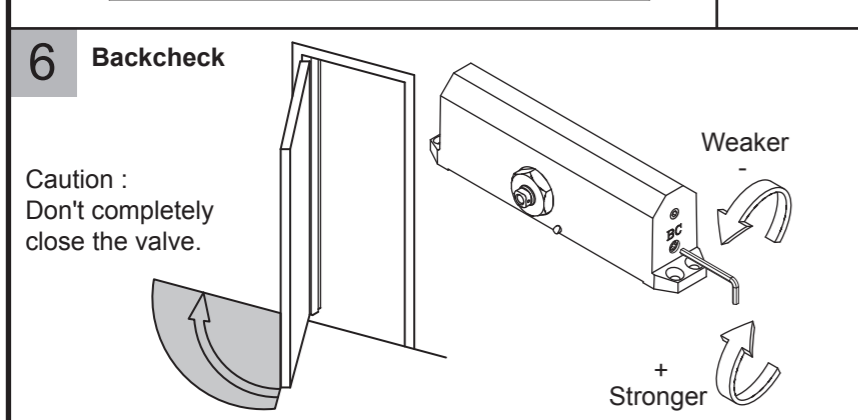
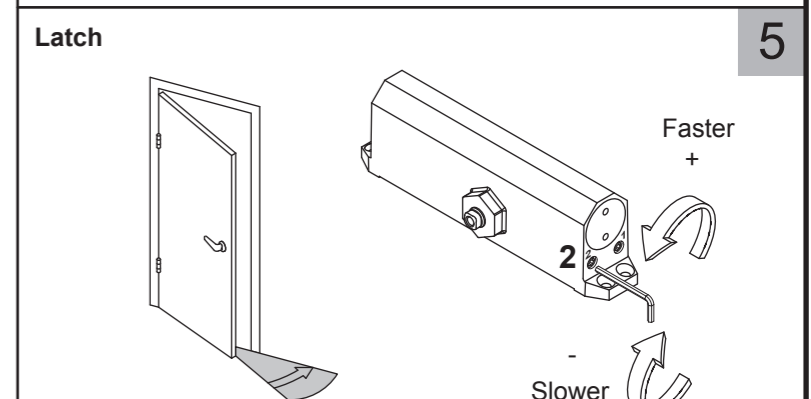
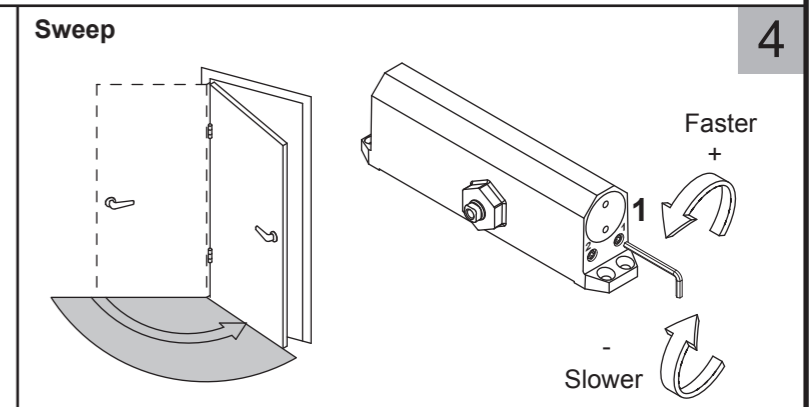
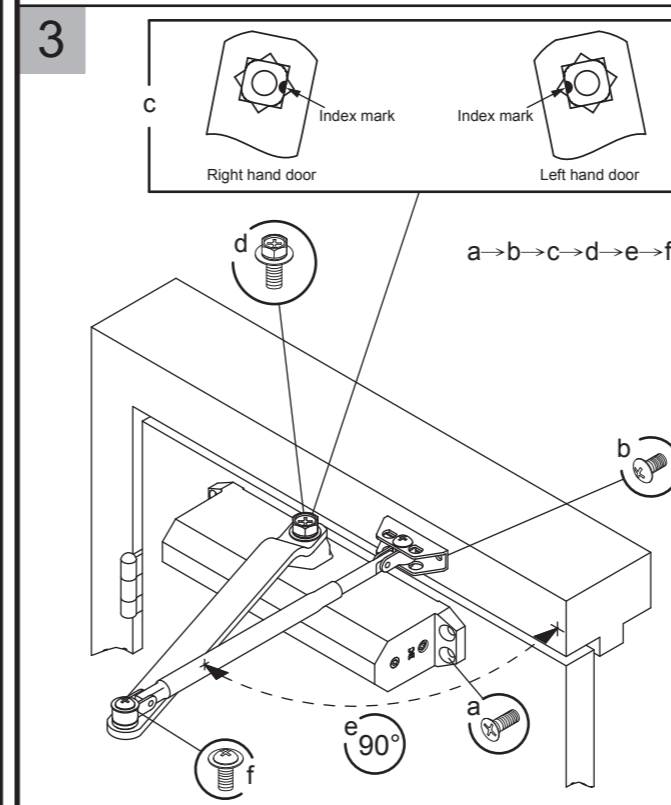
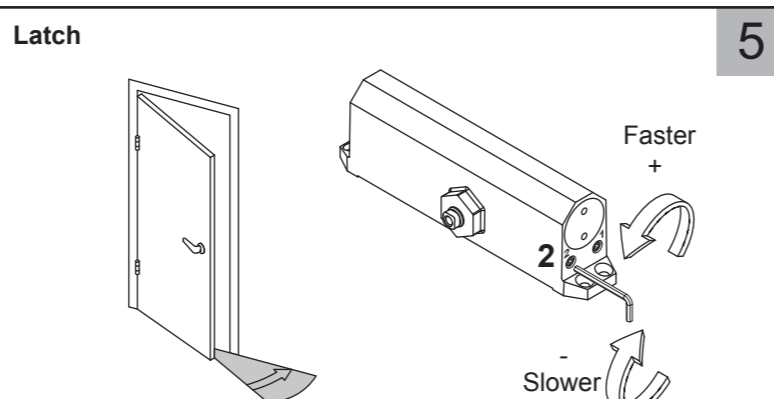
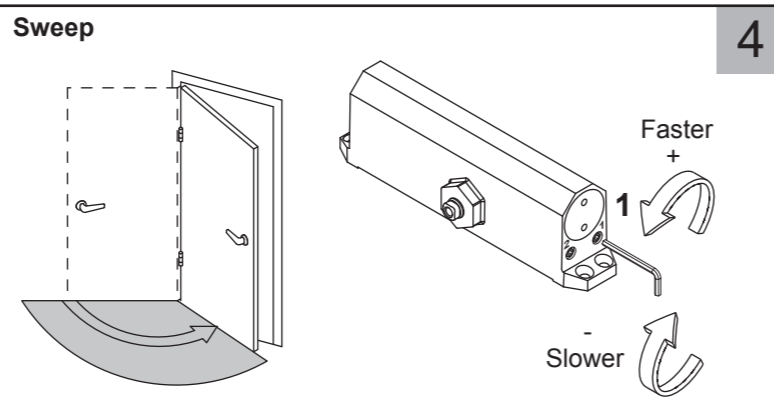
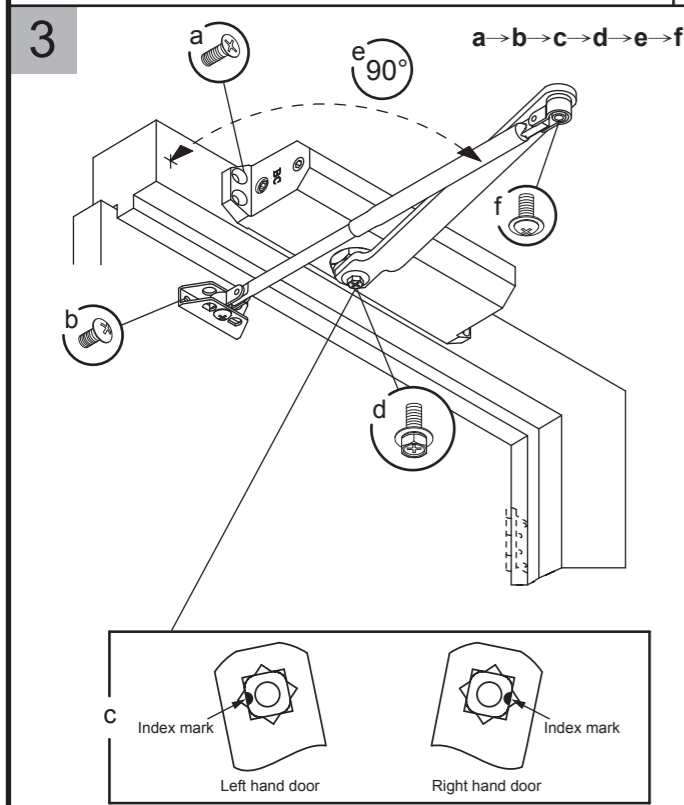
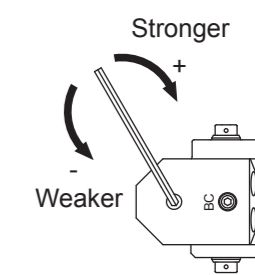


## RIGHT HAND DOOR ILLUSTRATED

Opening Inches (mm)	Dimension
	A
TO 100°	7 (178)
TO 120°	6 (152)
TO 180°	3-1/2 (89)

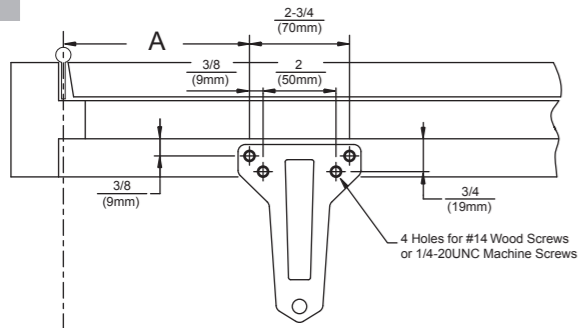
## Adjust spring power to match chart

Opening	Closer Size	Clockwise Turns Of Adjustment Screw
TO 100°	V	12
	IV	6
	III	0
TO 120°	IV	12
	III	6
	II	0
TO 180°	III	12
	II	6
	Ⓜ	0



# PARALLEL ARM INSTALLATION CLOSER MOUNTED ON PUSH SIDE OF DOOR

1 a. Choose degree of door opening b. Drill per screw chart.



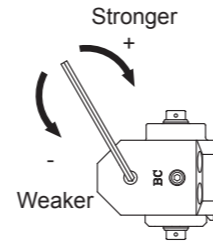
LEFT HAND DOOR ILLUSTRATED

Opening	Dimension	
	A	B
TO 100°	9-1/4 (235)	7-5/8 (194)
TO 120°	7-3/4 (197)	6-1/8 (156)
TO 180°	5-3/4 (146)	4-1/8 (105)

Inches (mm)

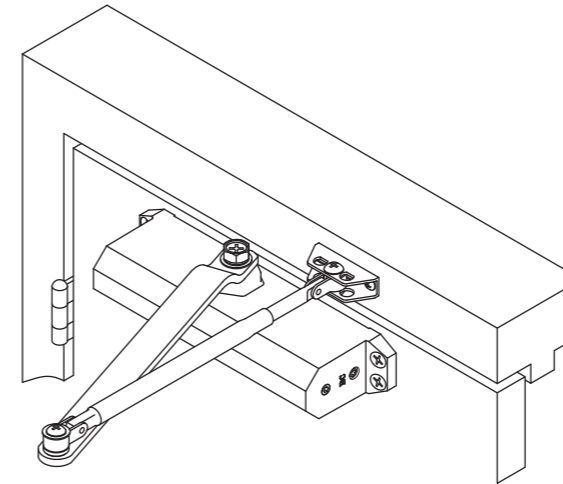
Adjust spring power to match chart.

Opening	Closer Size	Clockwise Turns Of Adjustment Screw
TO 100°	IV	12
	III	6
	II	0
TO 120°	IV	12
	III	6
	II	0
TO 180°	III	12
	II	6
	I	0

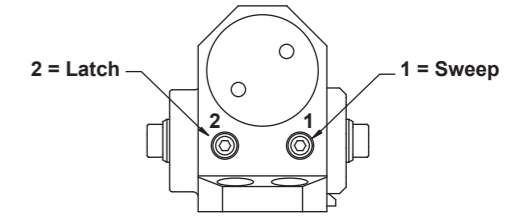


2

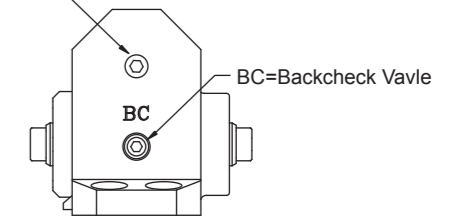
## Pull Side Installation



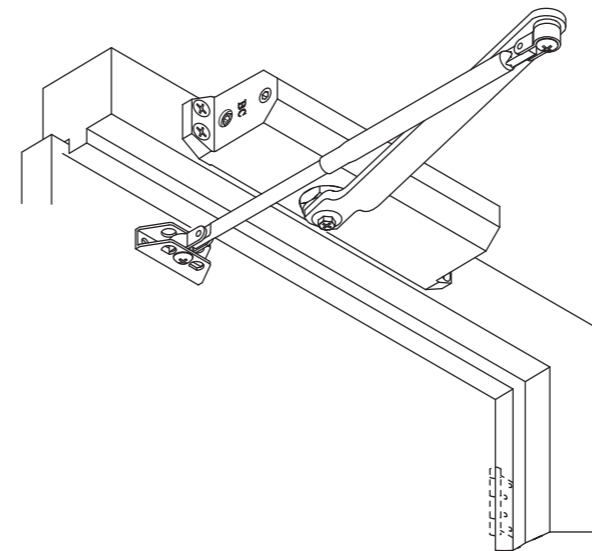
## DOOR CLOSER INSTALLATION INSTRUCTION



Spring Power Adjustment Screw

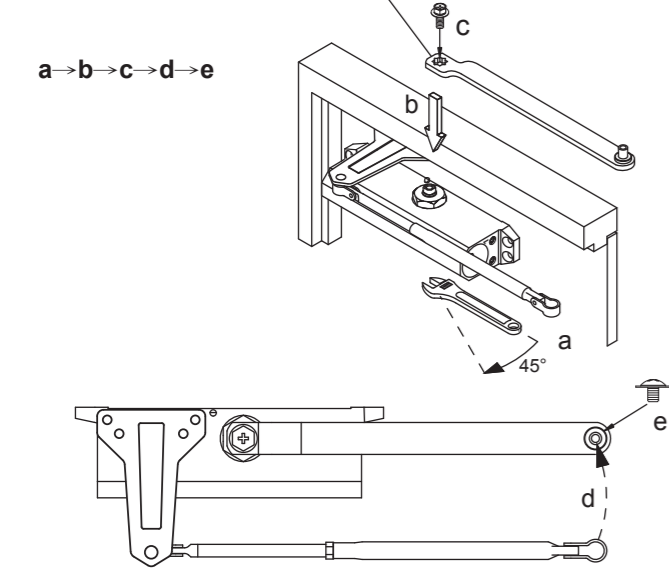
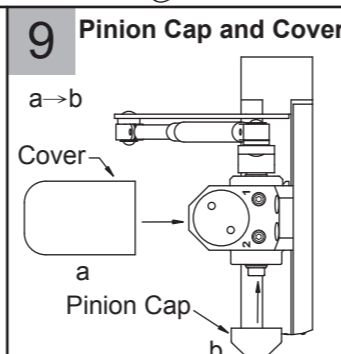
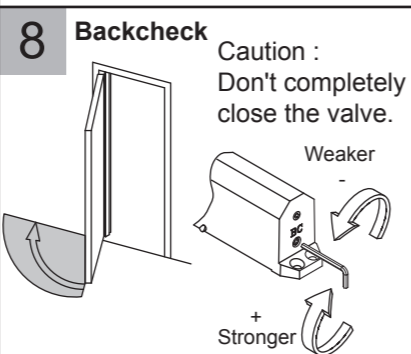
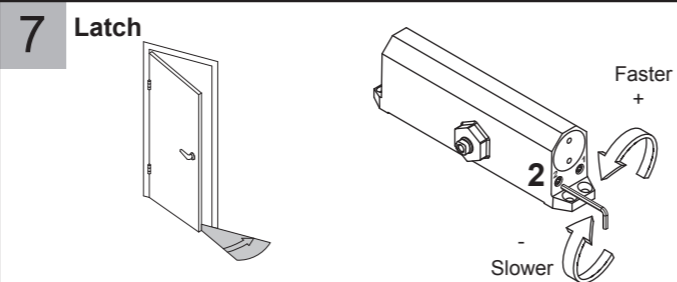
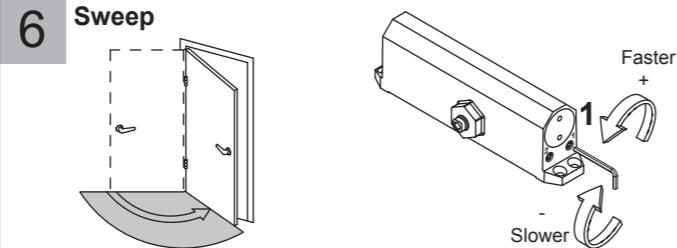
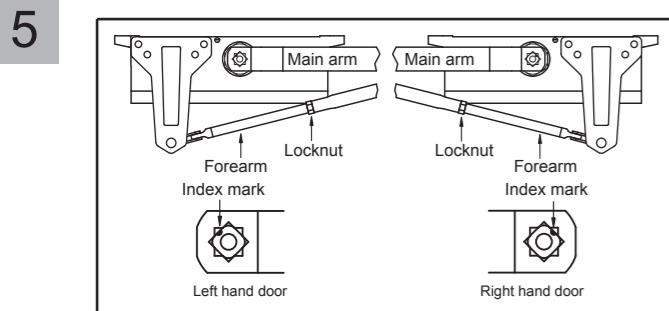
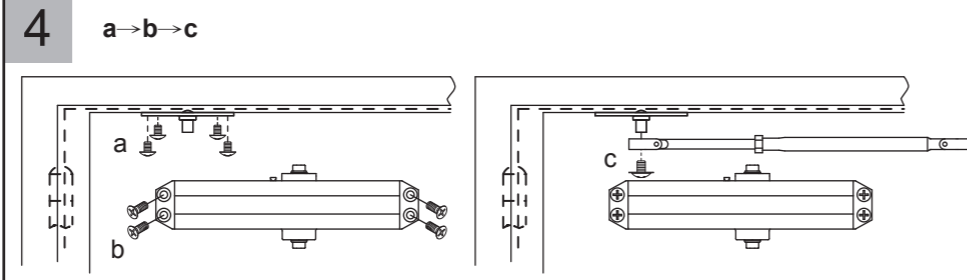
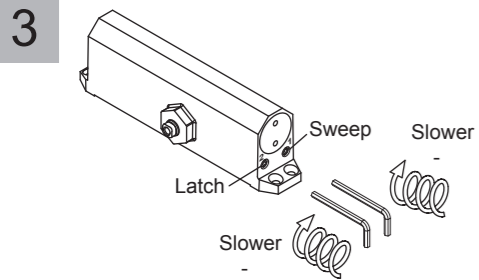


## Push Side Installation

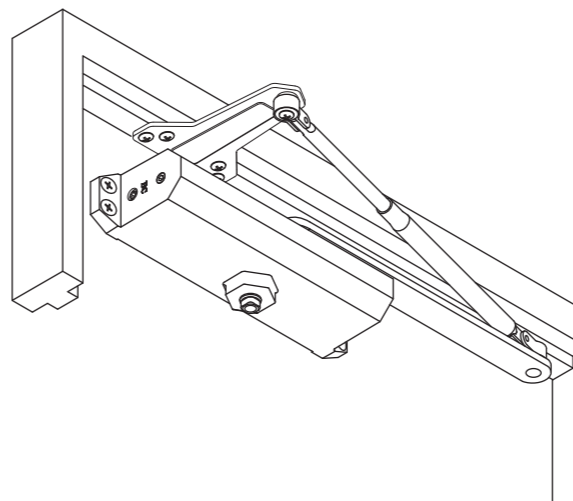


Regular Arm & Top Jamb				
Max. Door Size [Inches (mm)]	30" (762)	36" (914)	42" (1067)	48" (1219)
Door				
Interior	Size I	Size II	Size III	Size IV
Exterior	Size III	Size IV	Size V	NA

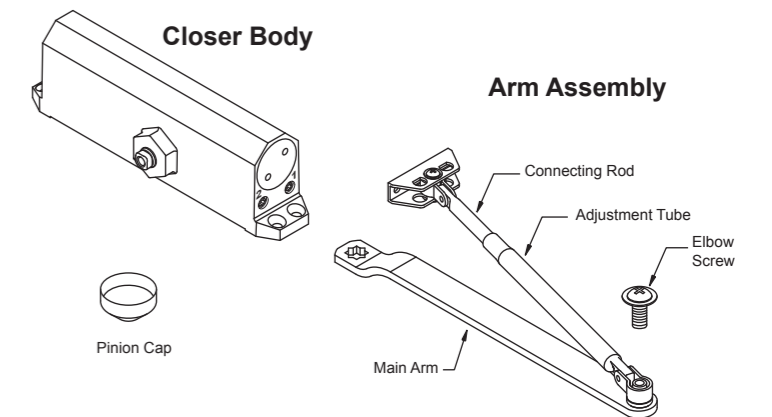
Note: 1. Indicates recommended application of door width for closer size. Determine door width, adjust spring power to match chart.  
2. For parallel arm application, it requires to adjust more spring power to meet door width.



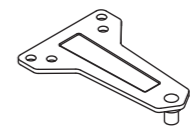
## Parallel Arm Installation



## Standard Components



## Soffit Plate



Soffit Plate Used with Parallel Arm Closers Only

## Optional Components

