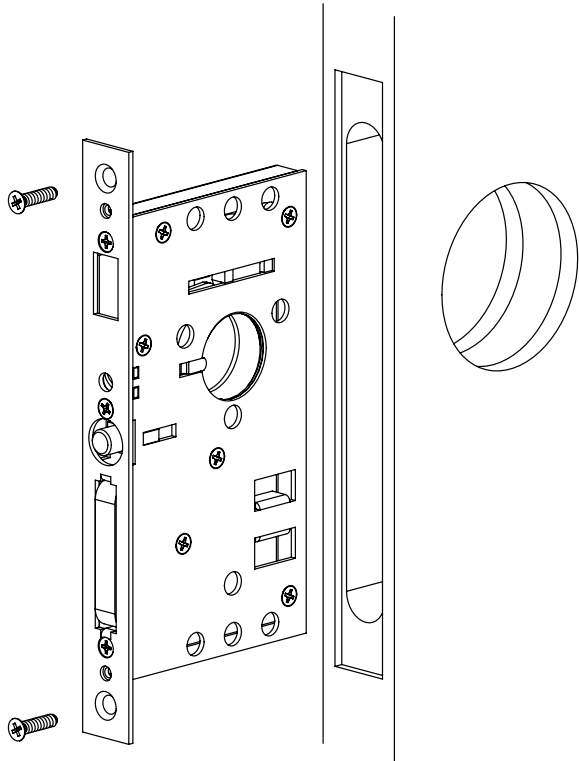
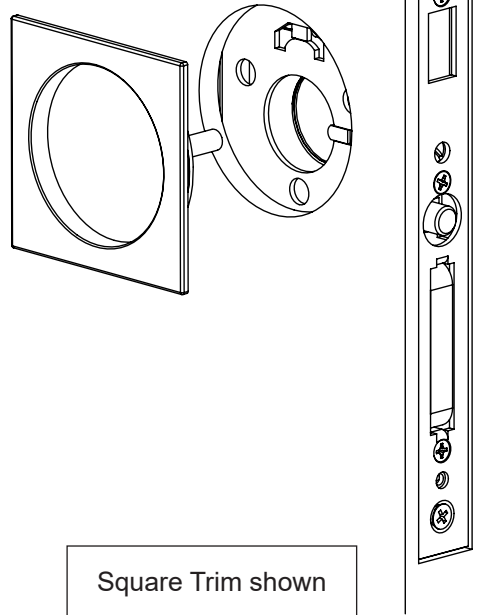


1. Install Lock Body



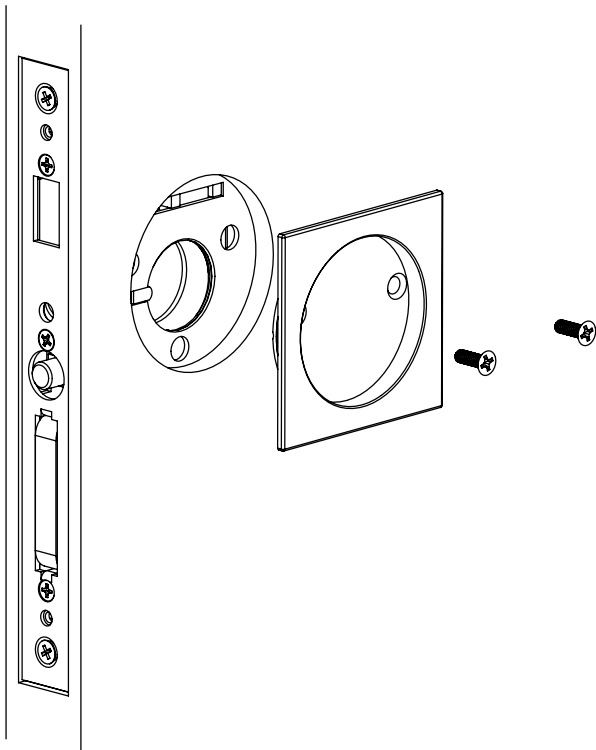
See template for door prep specifications

2. Install Outside Plate

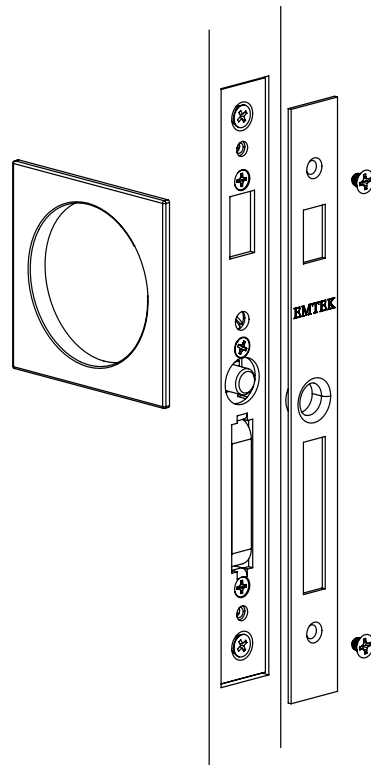


Square Trim shown

3. Install Inside Plate



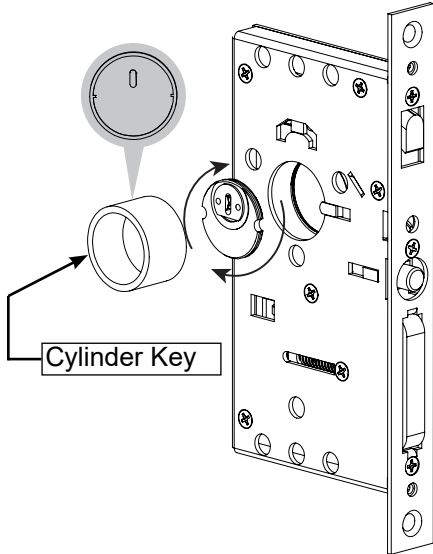
4. Install Trim Plate



1. Thread Drive Bar Cylinder

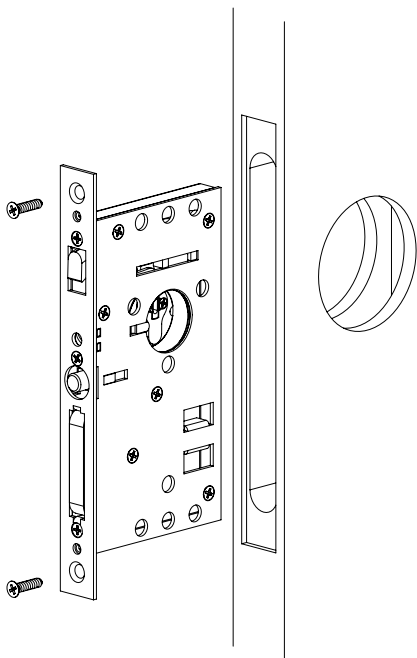
Use Cylinder Key to thread Drive Bar Cylinder clockwise on interior side of door.

Note: Drive Bar Socket must be in the 12 o' clock position as shown.



Note: Notches on cylinder must be parallel with the horizontal plane when fully screwed into lock body.

2. Install Lock Body

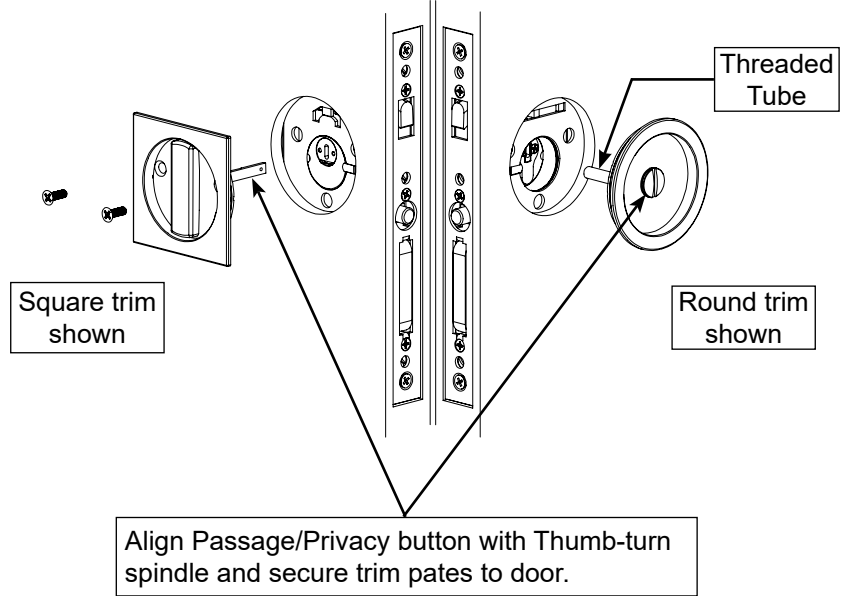


See template for door prep specifications

3. Install Inside and Outside Plates

Inside

Outside

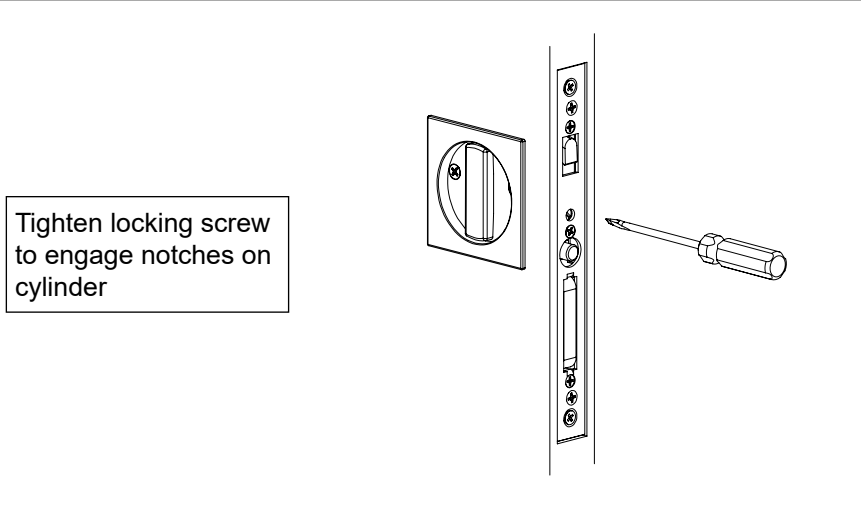


Square trim shown

Round trim shown

Align Passage/Privacy button with Thumb-turn spindle and secure trim plates to door.

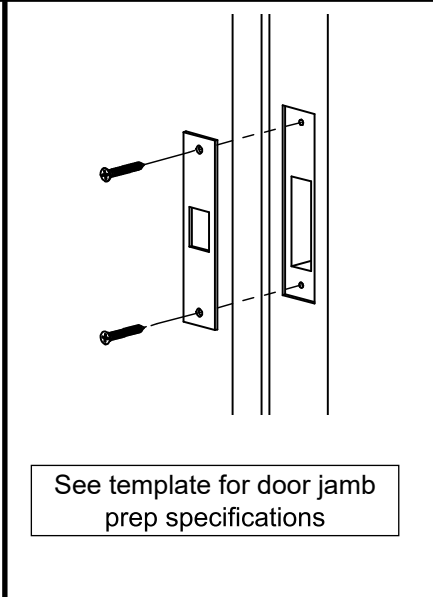
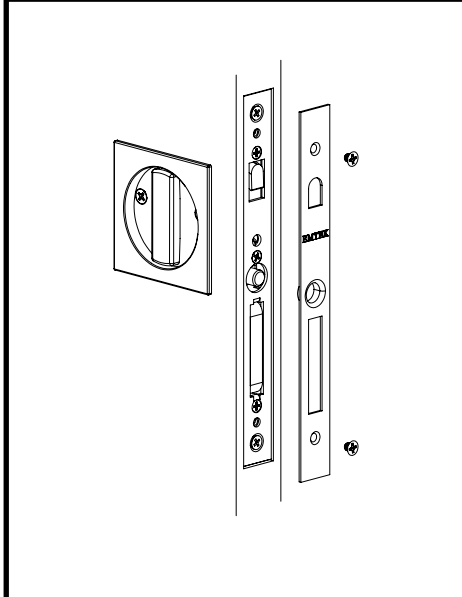
4. Tighten Key Cylinder



Tighten locking screw to engage notches on cylinder

5. Install Trim Plate

Door Jamb Prep.



See template for door jamb prep specifications