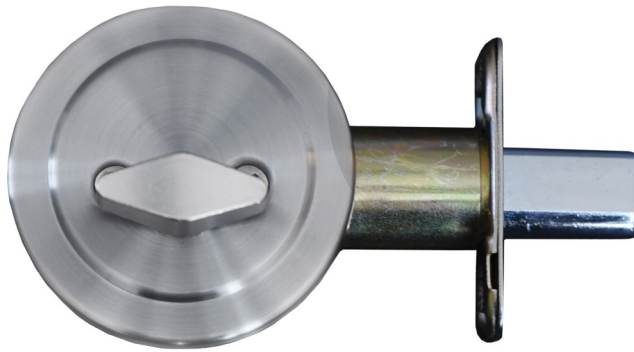
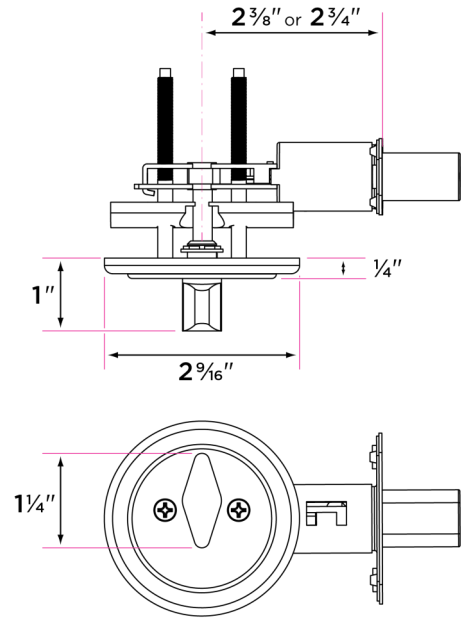


Single-Sided Deadbolt



DB101



DESCRIPTION

PRODUCT CODE

CASE

Single-Sided Deadbolt

DB101

24

Finishes

15 Satin Nickel
11P Vintage Bronze

Door Handing

Non-handed

Door Thickness

1 3/8" to 2 1/4"

Key Cylinder

No Keyed Option

Strike Plate

2 1/4" x 1 3/4" full-lip radius corner standard
2 1/4" x 1" deadbolt strike

Latch

2 1/4" x 1" radius corner faceplate or
4 way drive-in latch
Adjustable 2 3/8" or 2 3/4"
1" throw bolt
Cut resistant bolt with hardened steel rolling inserts

Door Prep

Crossbore 2 1/8"
Edgebore 1"

Materials

Brass Housing
All metal parts