

# INSTALLATION INSTRUCTIONS 910RC & 911RC

Effective date: February 1, 2023  
 Supercedes: All Previous

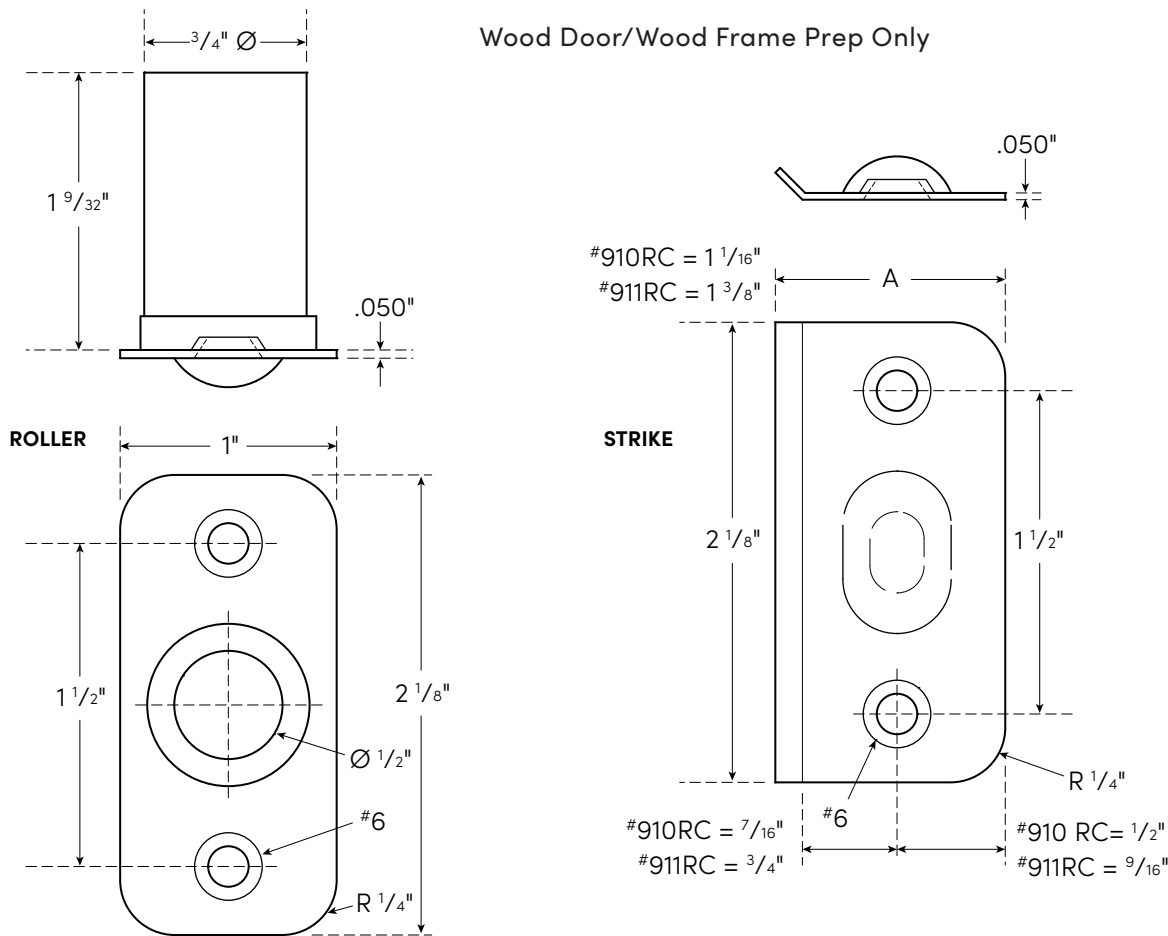
**ROCKWOOD**

**ASSA ABLOY**

Experience a safer  
 and more open world

**NOT TO SCALE**

## 910RC & 911RC BALL CATCH WITH ROUND CORNERS



### Fasteners Included:

4 ea. #6 x  $3/4''$  Flat Head Sheet Metal Screws

### #910RC (Designed for cabinet doors)

1. Mortise edge of door and center strike on door edge. Mount to door edge with #6 screws.
2. Find corresponding center for latch on frame and drill  $\varnothing 3/4''$  hole x  $1 \frac{3}{8}''$  dp. Mortise frame and mount with #6 screws.

### #911RC (Designed for $1 \frac{3}{8}''$ doors)

1. Find center of door width and drill  $\varnothing 3/4''$  hole x  $1 \frac{3}{8}''$  dp. Mortise edge of door and install with #6 screws.
2. Measure  $11/16''$  from edge of frame to locate strike screw mounting. Mortise frame and mount with #6 screws.

\*If used on  $1 \frac{3}{4}''$  door do not center roller on door. The roller needs to be  $11/16''$  from the edge of the door engaging with the strike to the centerline of the prep to line up and engage the strike.