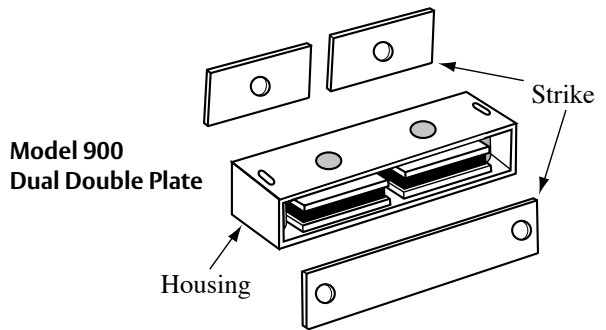


Rockwood 900/901 Magnetic Catches

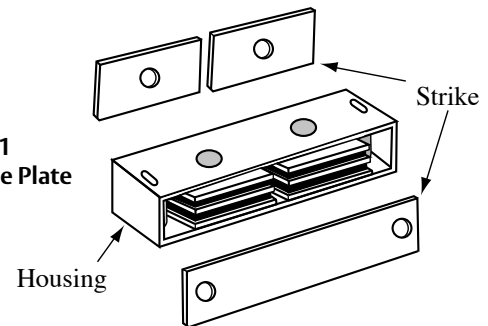
The global leader in
door opening solutions

For Installation Assistance, Call Rockwood Products at 800-458-2424 • www.rockwoodmfg.com



**Model 900
Dual Double Plate**

#900 (full strike) 6.6 lbs. avg. load
#900 (single small strike) 2 lbs. avg. load

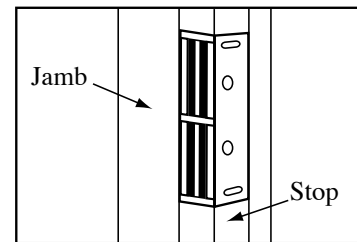


**Model 901
Dual Triple Plate**

#901 (full strike) 10.4 lbs. avg. load
#901 (single small strike) 3 lbs. avg. load

Housing Installation

Locate housing approximately $\frac{1}{8}$ " from the outside edge of door stop. Housing can be surface mounted or mortised into stop. If no door stop, locate the housing on the jamb approximately $\frac{1}{8}$ " from the inside of the door in its closed position. Be sure the floating screw holes are centered in the adjustment slots. Apply the two long mounting screws to hold the housing (DO NOT TIGHTEN COMPLETELY).



Strike Installation

Place strike(s) on the magnets with prongs facing the door. Close the door to mark the strike location with the prongs. Use long strike on single doors (Figure A), or use two small strikes on light pairs of doors with the housing centered on the jamb (Figure B). NOTE: Heavy pairs of doors require one catch for each door.

Mount strikes and adjust housing for full contact to the magnets. Tighten screws.

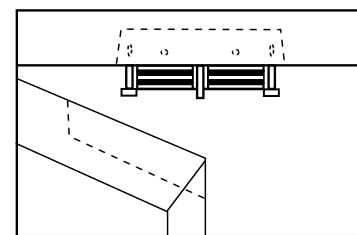


Figure A

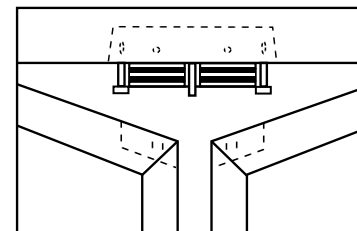


Figure B

NOT TO SCALE

300 Main Street
Rockwood, Pennsylvania 15557
P: 800.458.2424 | F: 800.922.9212
www.rockwoodmfg.com | orders.rockwood@assaabloy.com

Copyright © 2017, Rockwood Manufacturing Company, an ASSA ABLOY Group company. All rights reserved.
Reproduction in whole or in part without the express written permission of Rockwood Manufacturing Company is prohibited.