

Rockwood RM817 Square Coat Hook

The global leader in
door opening solutions

For Installation Assistance, Call Rockwood Products at 800-458-2424 • www.assaabloydooraccessories.us

1. Install Mounting Bracket

1. Drill two holes at desired location according to the below drill chart. "Plastic Anchor for drywall application"
2. Using two pan head sheet metal screws, attached mounting bracket to wall.

Note: See Figure 1 for correct Mounting Bracket Orientation

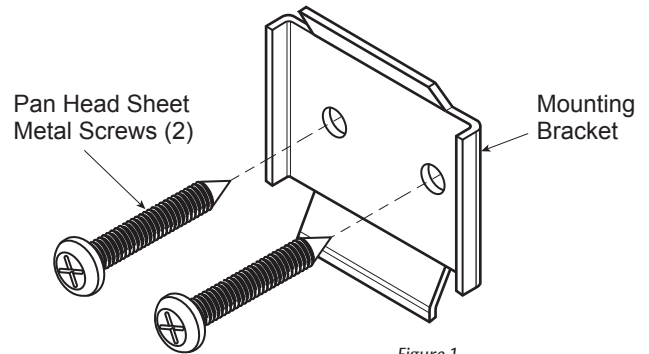


Figure 1

2. Install Square Coat Hook

1. Slide RM817 Square Coat Hook over mounting bracket with the set screw orientated on the top. See Figure 2 for orientation reference.
2. Install and tighten the set screw.

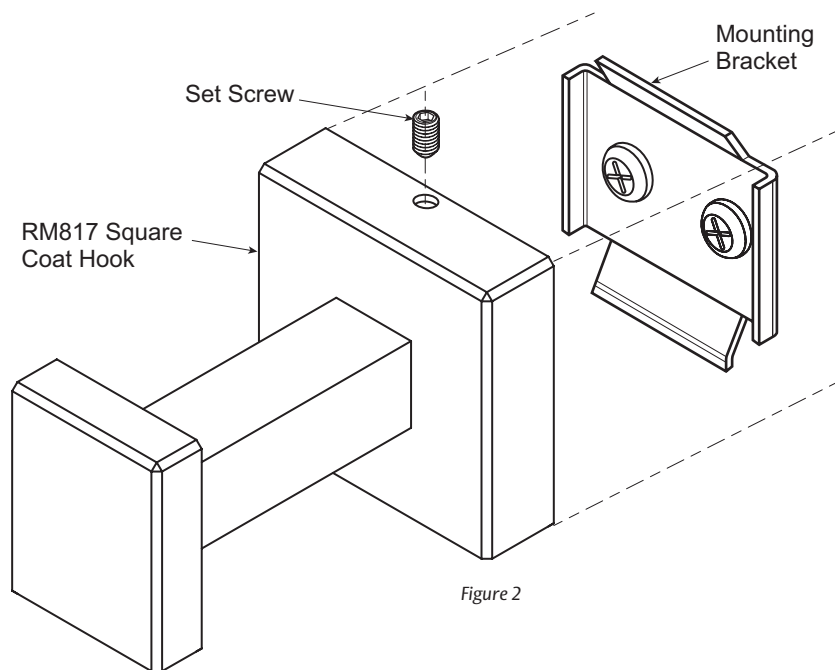


Figure 2

Drill Size Chart		
#8	Hard Wood $\frac{1}{8}$ "	Soft Wood $\frac{7}{64}$ "
#8 Plastic Anchor	$\frac{3}{16}$ "	

NOT TO SCALE