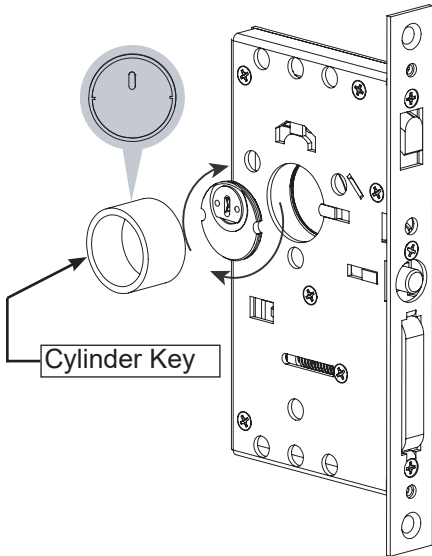


Installation Guide for Pocket Door Mortise Lock - Keyed Function

1. Thread Drive Bar Cylinder

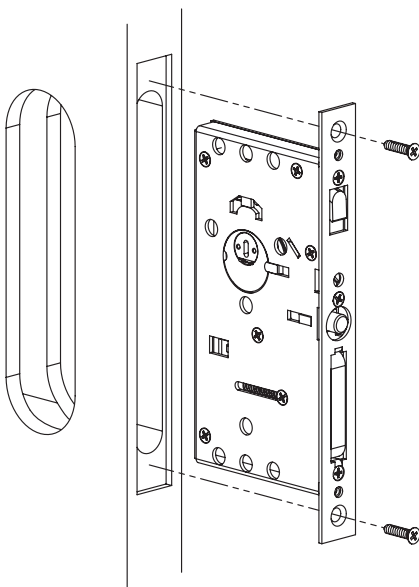
Use Cylinder Key to thread Drive Bar Cylinder clockwise on interior side of door.

Note: Drive Bar Socket must be in the 12 o' clock position as shown.



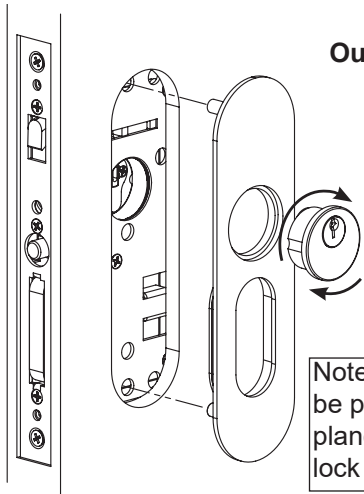
Note: Notches on cylinder must be parallel with the horizontal plane when fully screwed into lock body.

2. Install Lock Body



See template for door prep specifications

3. Install Outside Plate and Thread Key Cylinder



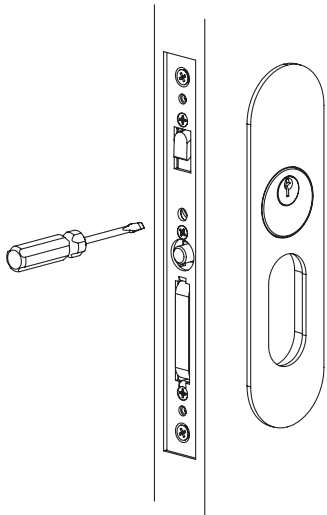
TRIMS VARY  
NARROW OVAL SHOWN

Install Key Cylinder by threading it clockwise onto lock body plate.

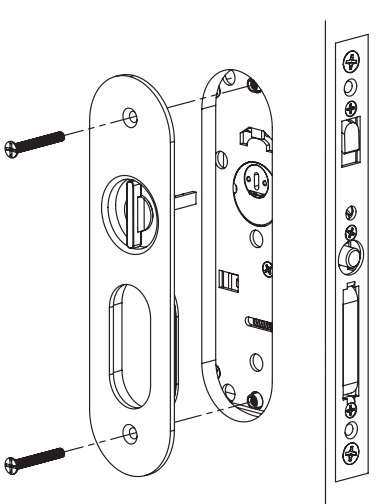
Note: Key Cylinder notches must be parallel with the horizontal plane when fully screwed into lock body.

4. Tighten Key Cylinder

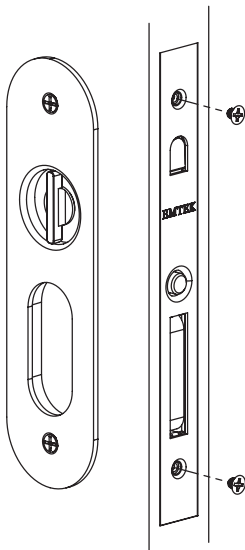
Tighten locking screw to engage notches on cylinder



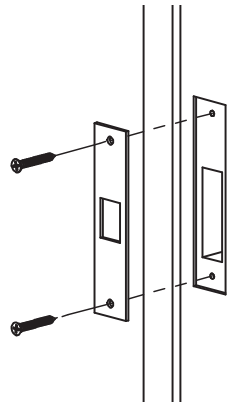
5. Mount Inside Plate



6. Install Trim Plate



Door Jamb Prep.

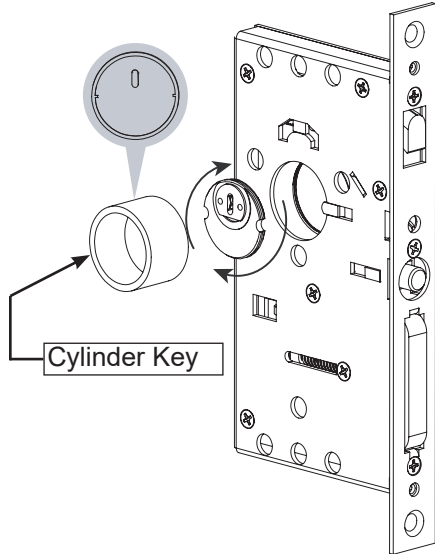


See template for door jamb prep specifications

1. Thread Drive Bar Cylinder

Use Cylinder Key to thread Drive Bar Cylinder clockwise on interior side of door.

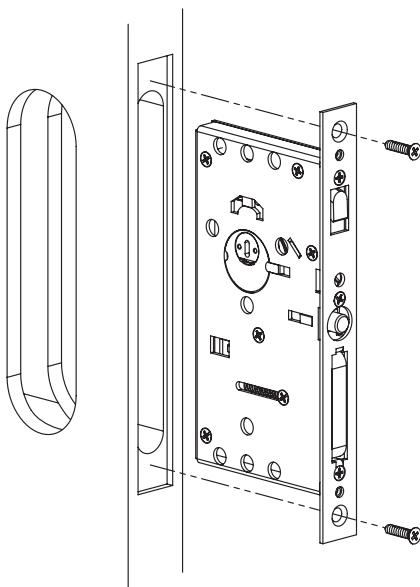
Note: Drive Bar Socket must be in the 12 o' clock position as shown.



Cylinder Key

Note: Notches on cylinder must be parallel with the horizontal plane when fully screwed into lock body.

2. Install Lock Body



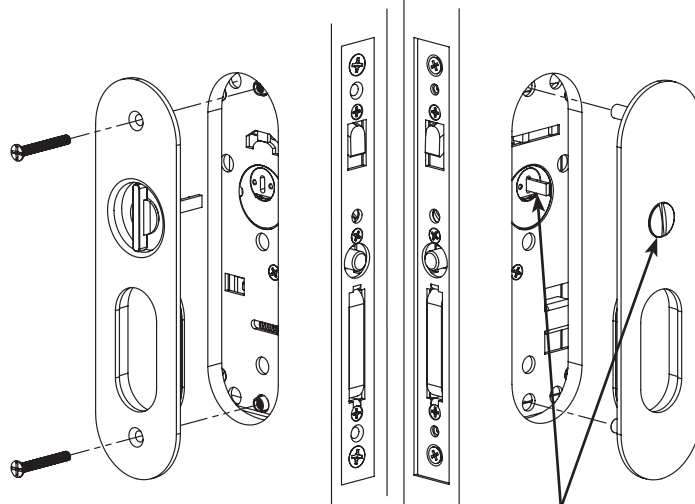
See template for door prep specifications

3. Install Inside and Outside Plates

Inside

TRIMS VARY NARROW OVAL SHOWN

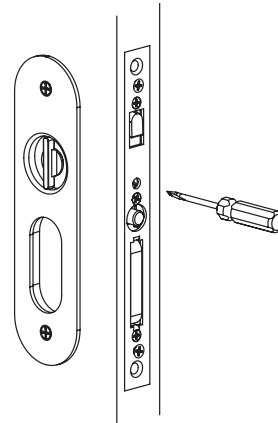
Outside



Align Passage/Privacy button with Thumb-turn spindle and secure trim plates to door.

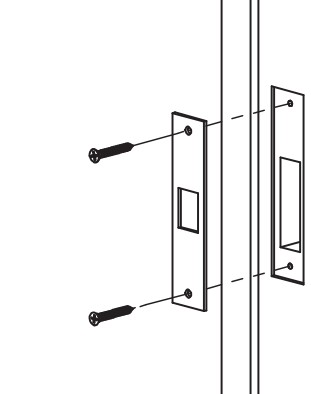
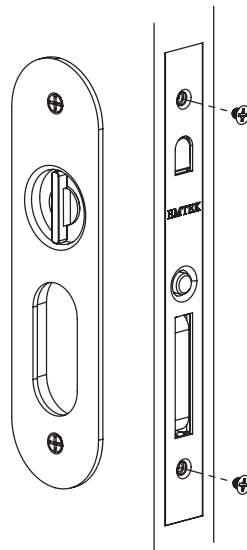
4. Tighten Key Cylinder

Tighten locking screw to engage notches on cylinder



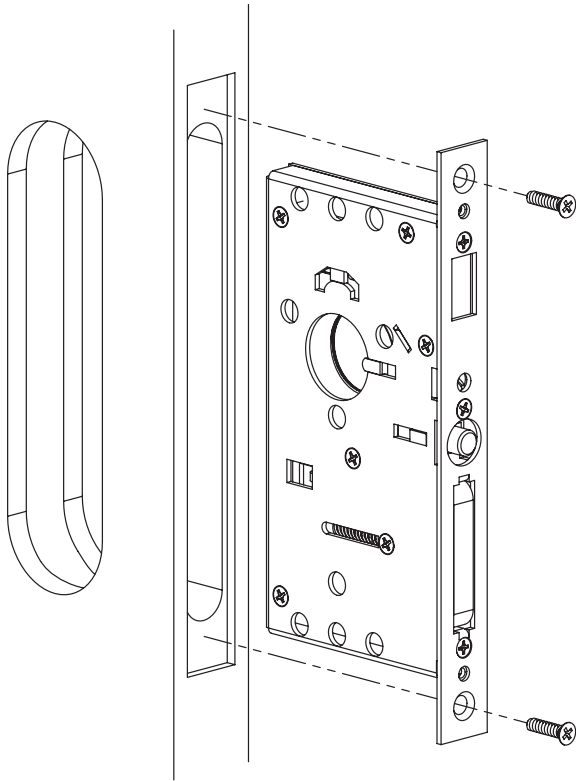
5. Install Trim Plate

Door Jamb Prep.



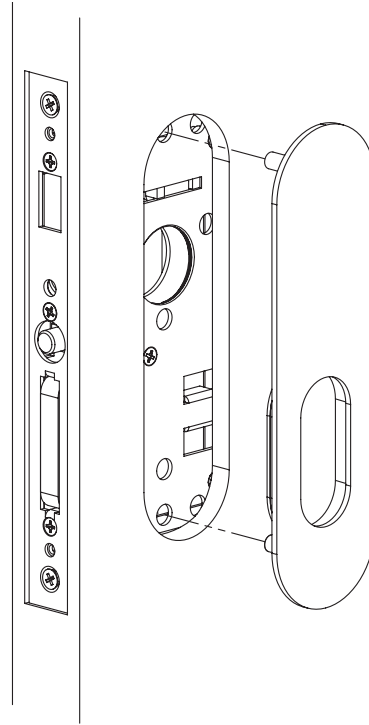
See template for door jamb prep specifications

1. Install Lock Body



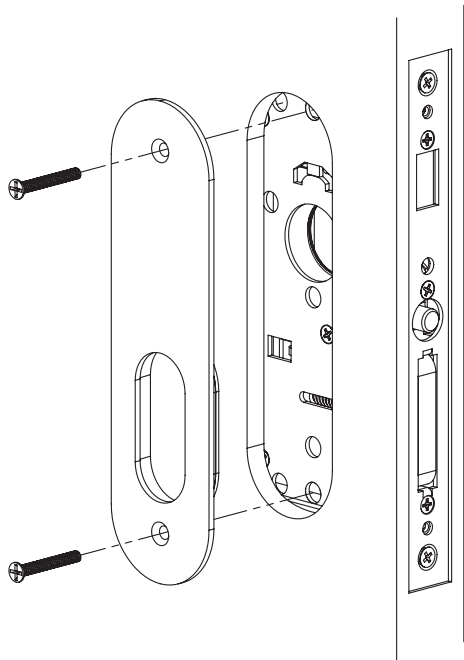
See template for door prep specifications

2. Install Outside Plate

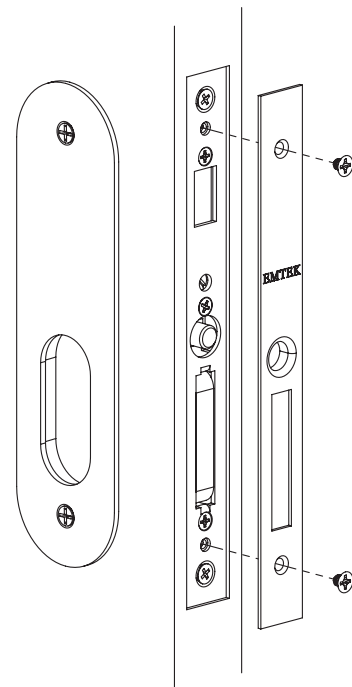


TRIMS VARY  
NARROW OVAL SHOWN

3. Install Inside Plate



4. Install Trim Plate



Passage Trim shown