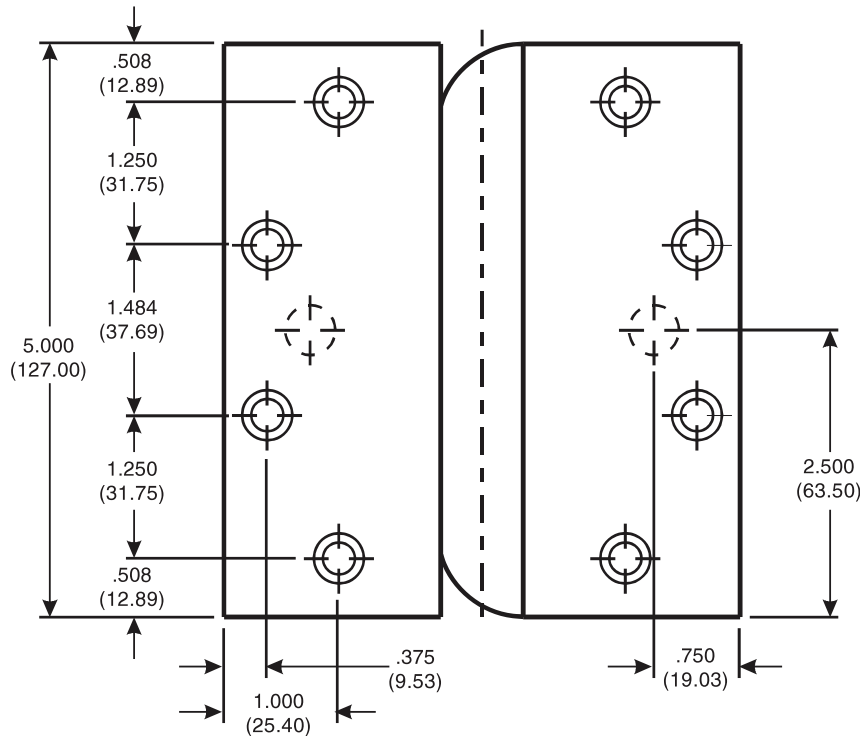
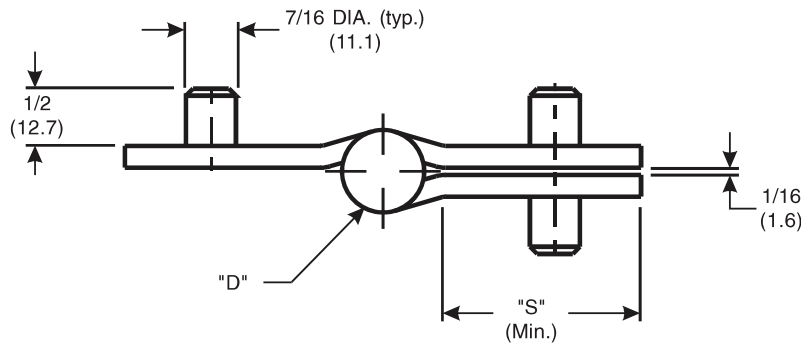


Architectural Door Accessories

McKinney 5 x 4¹/₂, 5 x 5 Full Mortise Template Institutional Hinge

Experience a safer
and more open world

DO NOT SCALE
DIMENSIONS: INCHES (MM)



CATALOG NUMBER		GAUGE OF METAL	"D" OUTSIDE DIAMETER	"S" DISTANCE (SWAGE LINE) HINGE WIDTH	
STEEL HINGES	STAINLESS STEEL HINGES			4 ¹ / ₂ (114.3)	5 (127.0)
HTA 786	HTA 386			.190 (4.83)	.752 (19.10)

Template 036-98

Effective date:
October 16, 2019

Supersedes: All Previous

McKINNEY Template Institutional Hinges of the Catalog Numbers are made to conform to ANSI/BHMA 156.7 for Screw Hole Location and Gauge of Metal. Prison Safety Feature (PSF) size and location conforms to this drawing.

Machine Screw Size:
1/2 x 12-24 F.H.

Wood Screw Size:
1 1/4 x 12 F.H.