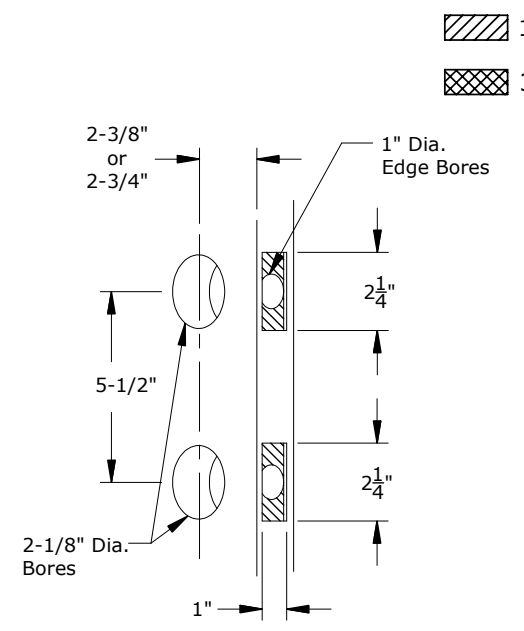
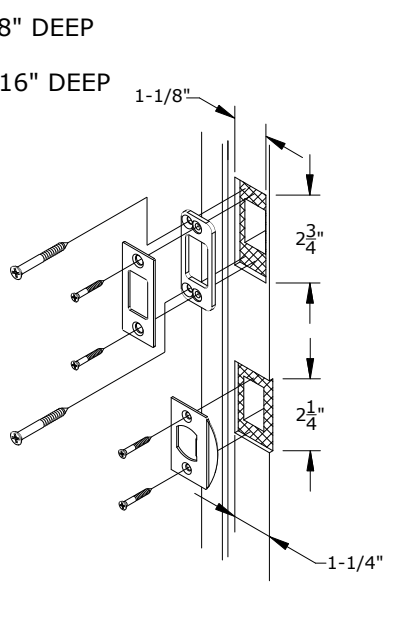


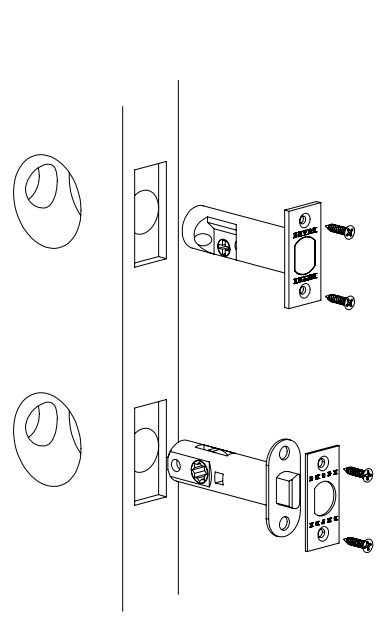
1. Door Prep



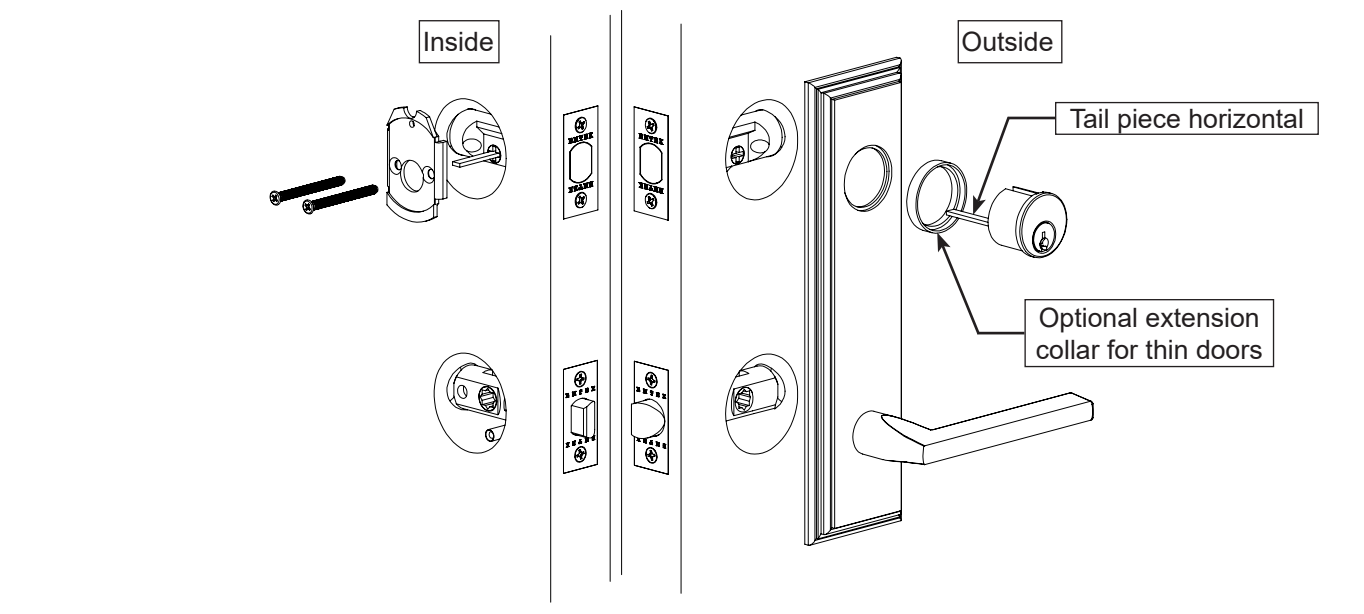
2. Door Jamb Prep



3. Install Bolt and Latch



4. Mount Outside Trim Plate



5. Mount Inside Trim Plate

