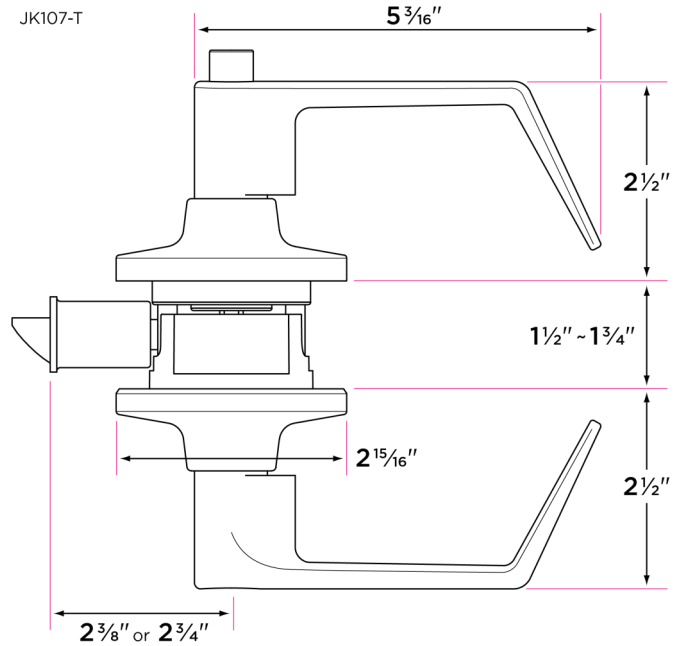


Jackson Tubular Lever

grade 2



DESCRIPTION	PRODUCT CODE	CASE
Passage (hall/closet) Both sides always free	JK101-T	12
Privacy (bed/bath) Locked by push button. Unlocked by inside lever or coin slot from the outside. Inside lever is always free.	JK102-T	12
Entry- Outside lever locked by inside push button. Unlocked by key or inside lever. Inside lever is always free.	JK107-T	12
Storeroom- Outside lever always locked and a key is required to open. Inside lever is always free.	JK105-T	12
Classroom- Outside lever locks or unlocks with a key. Inside lever is always free.	JK108-T	12
Dummy (closet) Inactive, single-sided, flush mount with two wood screws	JK100-T	24

Finishes

26D Satin Chrome

Certifications

ANSI Grade 2
UL 3 Hour Fire Rating

Door Thickness

1 3/8" to 1 3/4"

Door Handing

Reversible Handing

Key Cylinder

6 Pin SC1 standard
6 Pin KW1 option

Strike Plate

4 7/8" ASA Strike

Latch

Tubular
Adjustable 2 3/8"- 2 3/4"
backset
1/2" throw bolt

Door Prep

Crossbore 2 1/8"
Edgebore 1"

Materials

Zinc
All metal parts