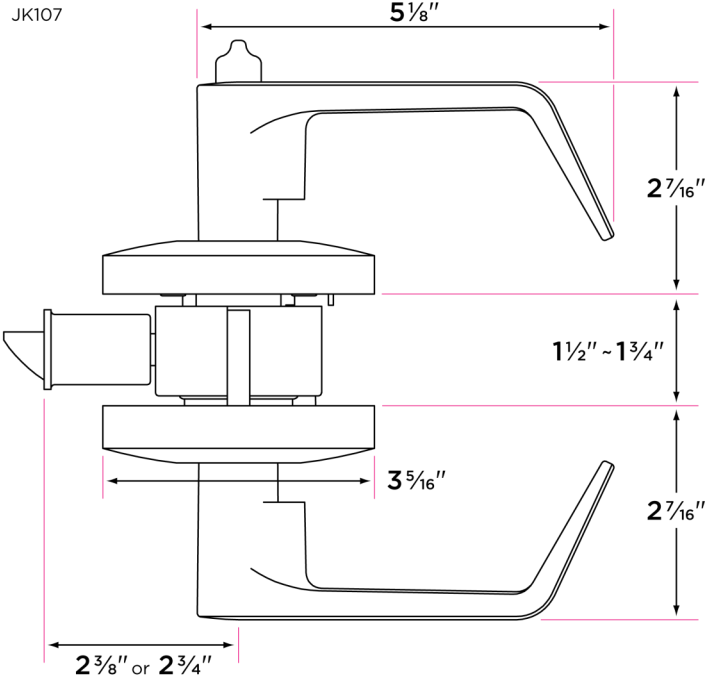


Jackson Cylindrical Lever, grade 2



DESCRIPTION

PRODUCT CODE

CASE

DESCRIPTION	PRODUCT CODE	CASE
Passage (hall/closet) Both sides always free	JK101	12
Privacy (bed/bath) Outside lever locked by inside push button. Unlocked by inside lever or coin slot from the outside. Inside lever is always free.	JK102	12
Entry- Outside lever locked by inside push button. Unlocked by key or inside lever. Inside lever is always free.	JK107	12
Storeroom- Outside lever always locked and a key is required to open. Inside lever is always free.	JK105	12
Classroom- Outside lever locks or unlocks with a key. Inside lever is always free.	JK108	12
Dummy (closet) Inactive, single-sided, flush mount with two wood screws	JK100	24

Finishes

26D Satin Chrome

Certifications

ANSI grade 2 certified
 ANSI code A156.2
 UL 3 hour fire rating with anti-fire sleeve
 Meets ADA requirements

Door Thickness

1 3/8" to 1 3/4"

Door Handing

Reversible handing

Key Cylinder

SC1 (6pin) keyway
 KW (6 pin) keyway available

Latch

Specify 2 3/8" or 2 3/4" backset
 1/2" throw bolt
 Square face plate

Strike Plate

5" ASA strike

Door Prep

Crossbore 2 1/8"
 Edgebore 1"

Materials

Zinc
 All metal parts