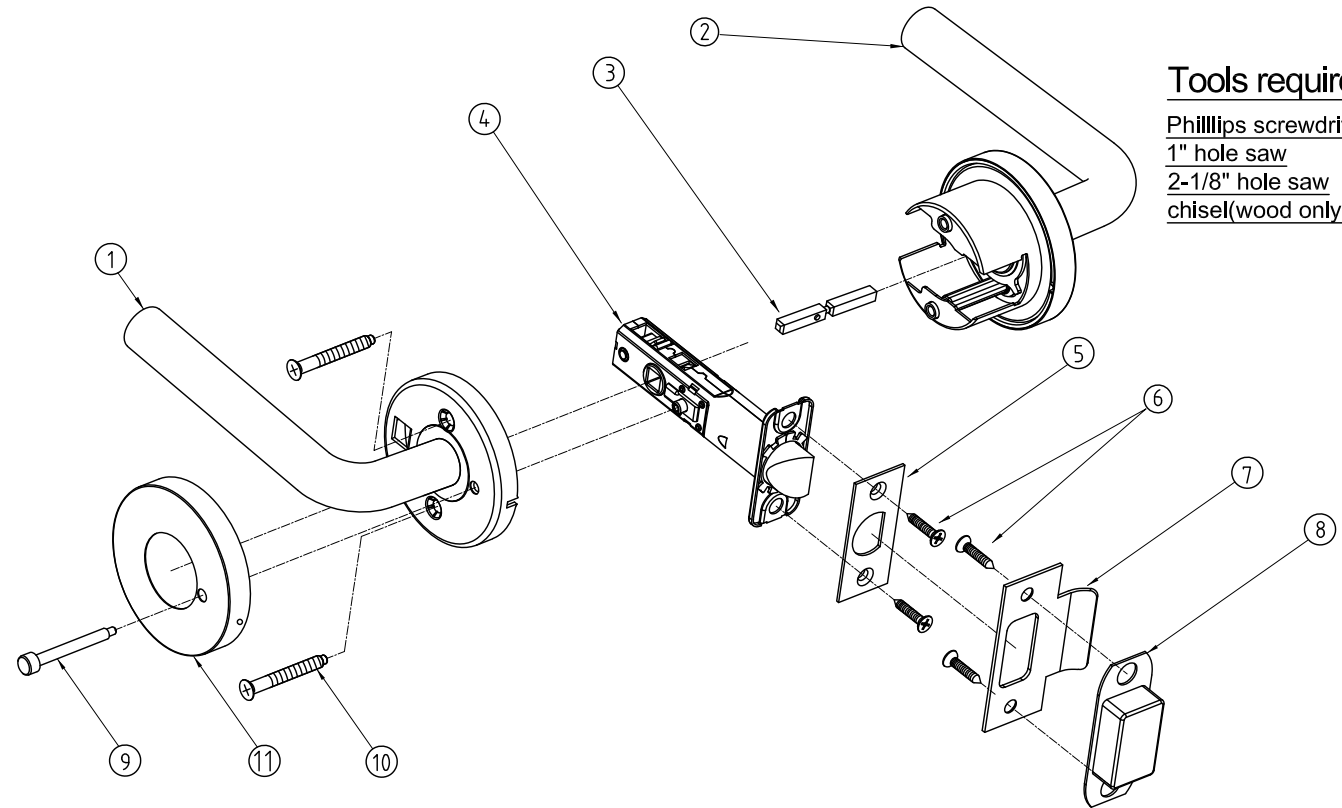


# Tubular Lock

## Tools required

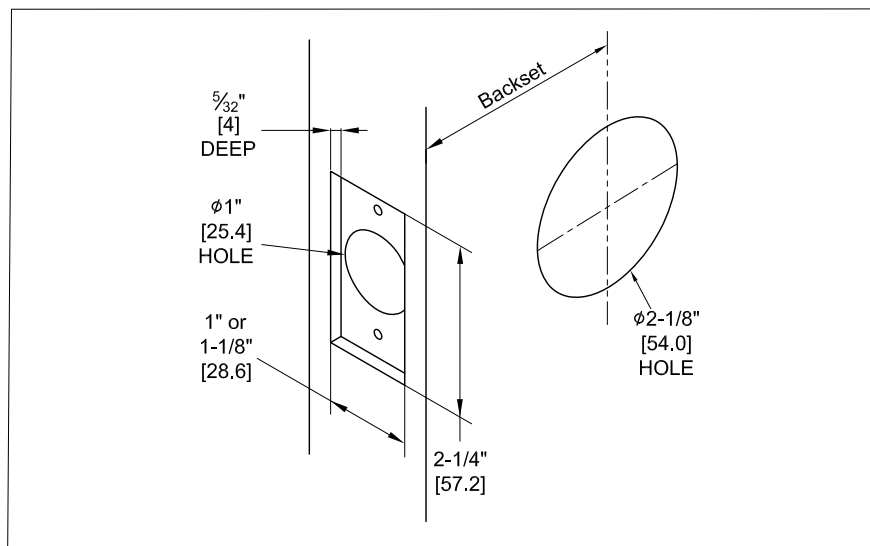
- Phillips screwdriver
- 1" hole saw
- 2-1/8" hole saw
- chisel(wood only)

- 1 - INSIDE LEVER ASSEMBLY
- 2 - OUTSIDE LEVER ASSEMBLY
- 3 - SPINDLE
- 4 - LATCHBOLT ASSEMBLY
- 5 - LATCH FACEPLATE
- 6 - LATCH/STRIKE SCREWS
- 7 - STRIKE
- 8 - DUST BOX
- 9 - LOCKING PIN
- 10 - MOUNTING SCREWS
- 11 - INSIDE ROSE

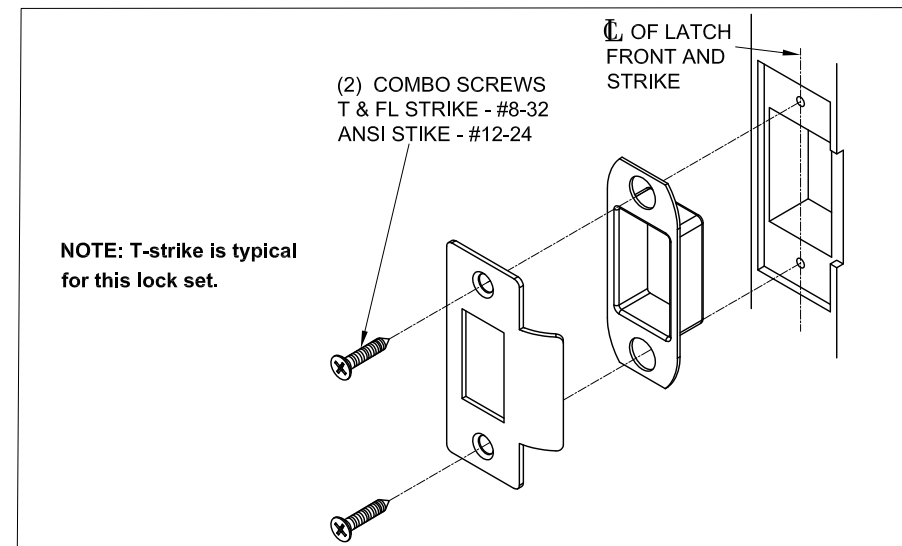


## 1 Tubular lock installation

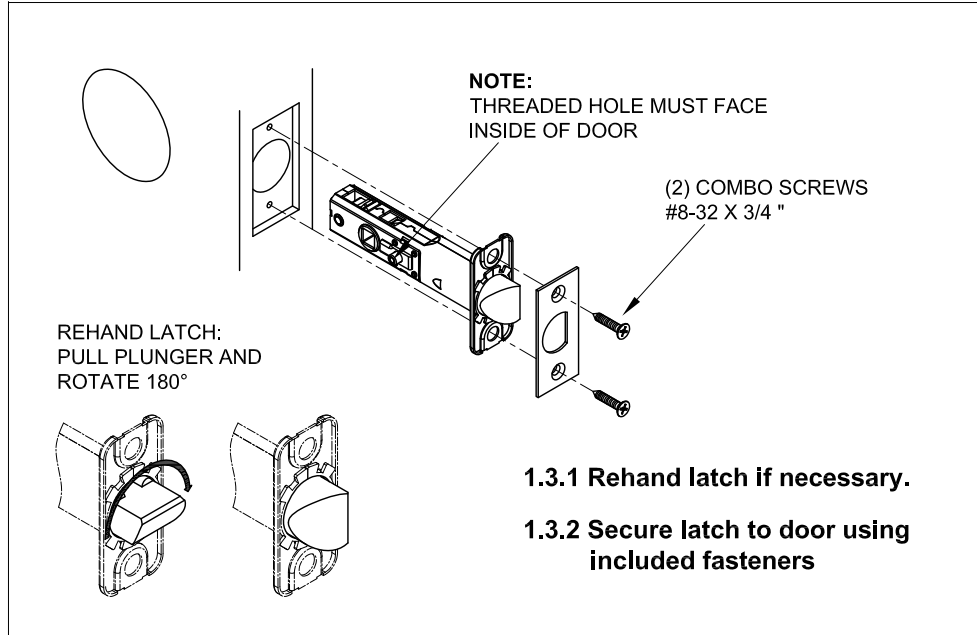
### 1.1 Prepare door - use included template



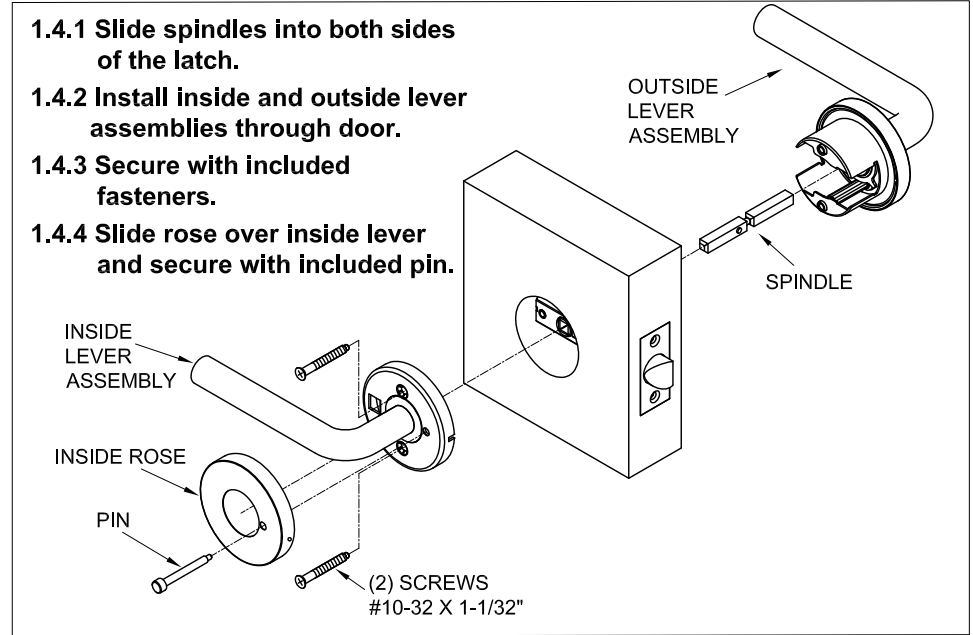
### 1.2 Prepare frame for strike plate



### 1.3 Secure latch to door



### 1.4 Secure lever to door



## 2 Dummy trim installation

