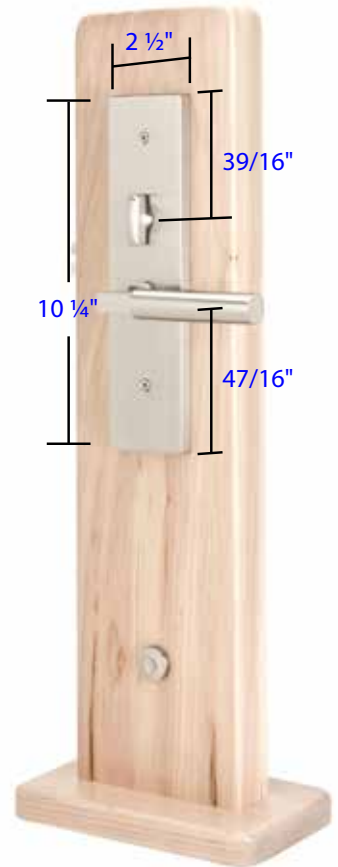


Mormont Trim Style
Part # 3347



Lugano Trim Style
Part # 3348



Standard interior trim
Part # 3347/3348

Additional Dimensions: (Part# 3347/3348)

- Exterior Projection is 2 1/2"
- Interior Projection Depends on Handle Style
- Overall Grip thickness: 1"
- Clearance between door & grip is 1 1/2" - 1 7/8"
- Plates thickness: 1/2"

Same dimensions for dummy function

Door Thickness Specifications

Standard Door Thickness: 1 3/4"

- Standard Components:
- 1 3/8" Threaded Cylinder
 - 2" Long Spindle
 - 2" Top Rosette Screw
 - 1 1/2" Bottom Rosette Screw
 - Thumbpress
 - Strikeplate

Extended Door Thickness: 1 7/8" - 2 1/4"

- Extended Components:
- 1 1/2" Threaded Cylinder
 - 2" Long Spindle
 - 2 1/2" Top Rosette Screw
 - 2" Bottom Rosette Screw
 - Thumbpress
 - Strikeplate

Extended Door Thickness: 2 3/8" - 2 3/4"

- Extended Components:
- 1 3/4" Threaded Cylinder
 - 2 1/4" Long Spindle
 - 2 1/2" Top Rosette Screw
 - 2" Bottom Rosette Screw
 - Extended Thumbpress
 - Extended Strikeplate