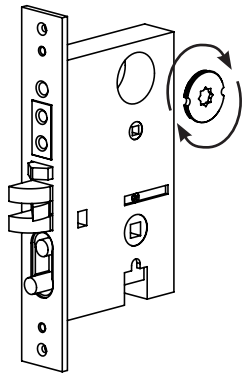


**Installation Guide - F20 Mortise Lock**

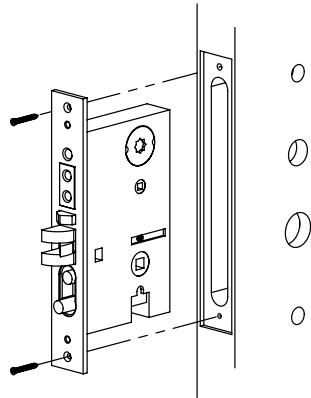
**1. Install Cylinder Plug**

Install cylinder plug by threading it clockwise onto lock body



Note: Notch on cylinder plug must be in the 9 o'clock position when fully screwed onto lock body.

**2. Install Mortise Lock**

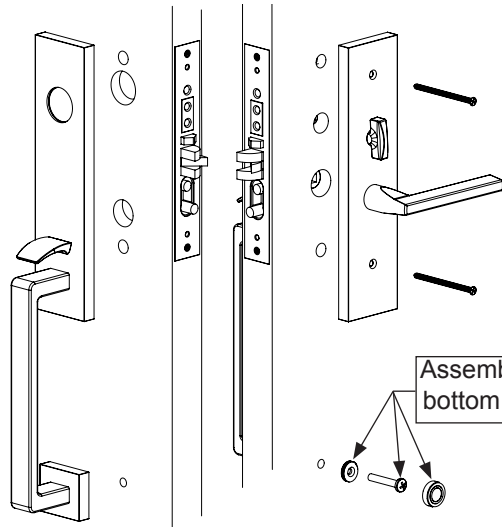


See template for door prep specifications

**3. Mount Inside and Outside Trim to Door**

Outside

Inside

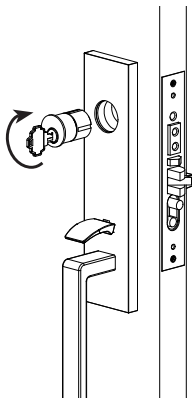


Assemble to bottom tube

Plates and grip vary depending on style.

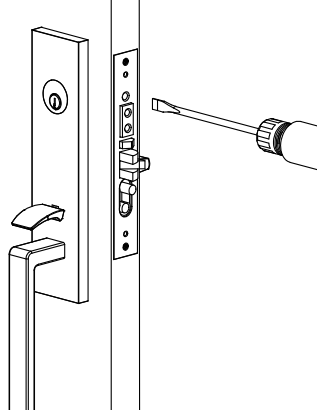
**4. Install Key Cylinder**

Install key 3/4 of the way into the key cylinder and thread it clockwise onto trim plate.

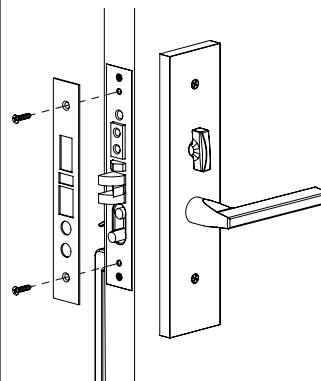


**5. Tighten Key Cylinder**

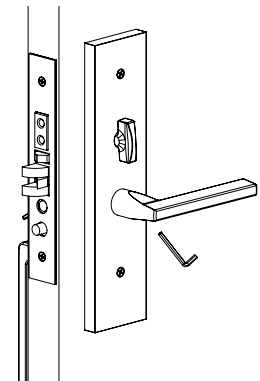
After key cylinder is installed, secure cylinder by tightening screw



**6. Install Trim Plate**

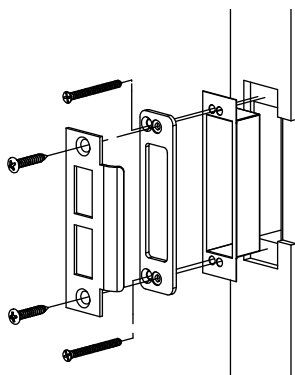


**7. Tighten Inside Lever or Knob**



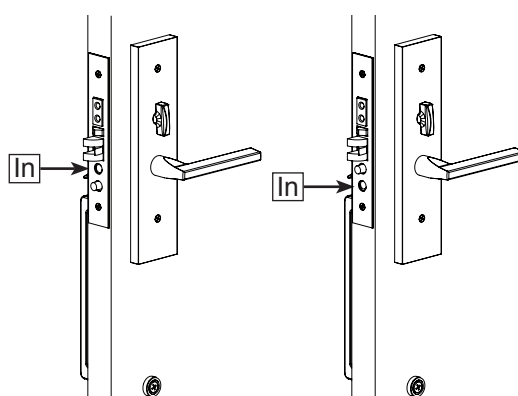
Tighten Lever with 3/32 Hex wrench (provided).

**8. Install Door Jamb**



See template for door jamb prep specifications

**9. Passage/Privacy lock**

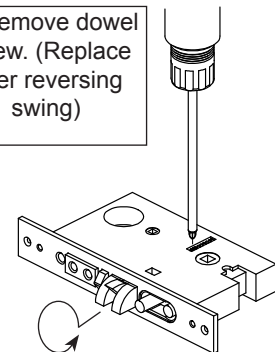


Thumb press Locked

Thumb press Unlocked

**Instructions to reverse swing**

1. Remove dowel screw. (Replace after reversing swing)



2. Pull out and rotate Latch bolt to reverse its direction.

