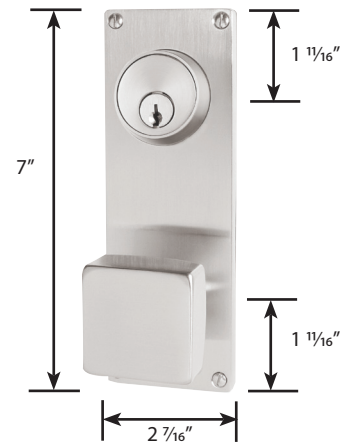
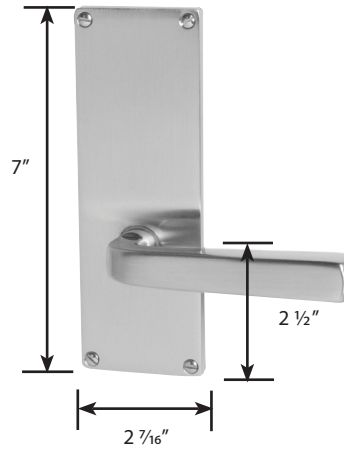


**Modern** Plates are  $\frac{3}{8}$ " Thick

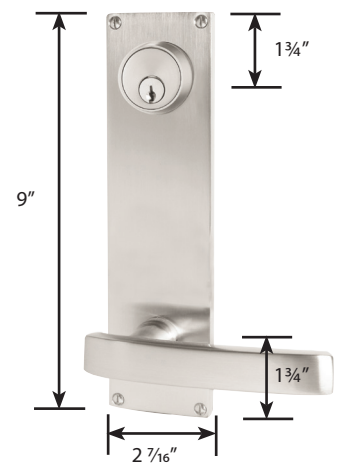
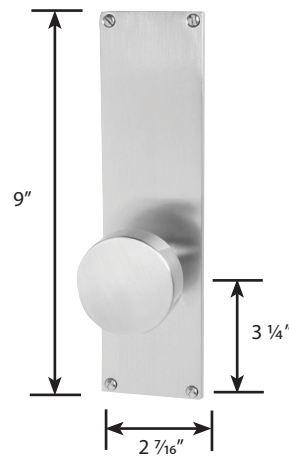
**Non-Keyed**  
 Passage (8111)  
 Privacy (8211)  
 Dummy (8011)

**Keyed**  
**3  $\frac{5}{8}$ " C-to-C**  
 Single Cylinder (8112)  
 Double Cylinder (8212)  
 Dummy (8012)



**Non-Keyed**  
 Passage (8113)  
 Privacy (8213)  
 Dummy (8013)

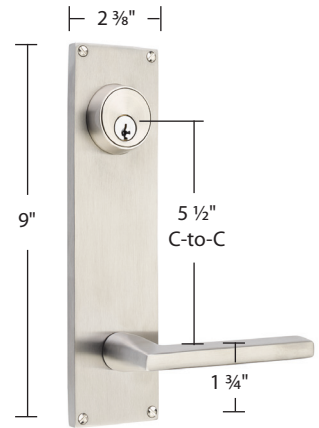
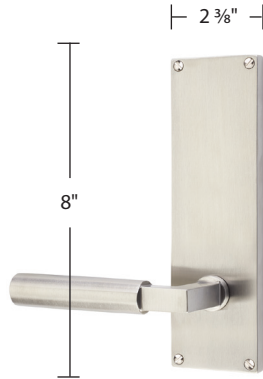
**Keyed**  
**5  $\frac{1}{2}$ " C-to-C**  
 Single Cylinder (8114)  
 Double Cylinder (8214)  
 Dummy (8014)



**Stainless Steel** Plates are  $\frac{3}{8}$ " Thick

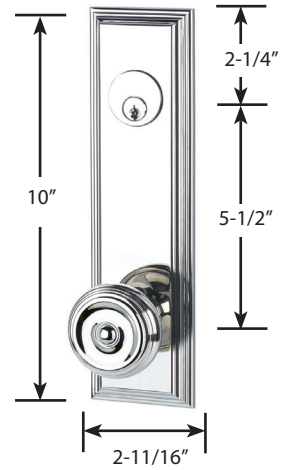
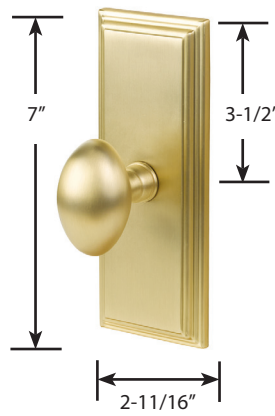
**Non-Keyed**  
Passage (S801)  
Privacy (S802)  
Dummy (S800)

**Keyed**  
**5 1/2" C-to-C**  
Single Cylinder (S811)  
Double Cylinder (S812)  
Dummy (S810)



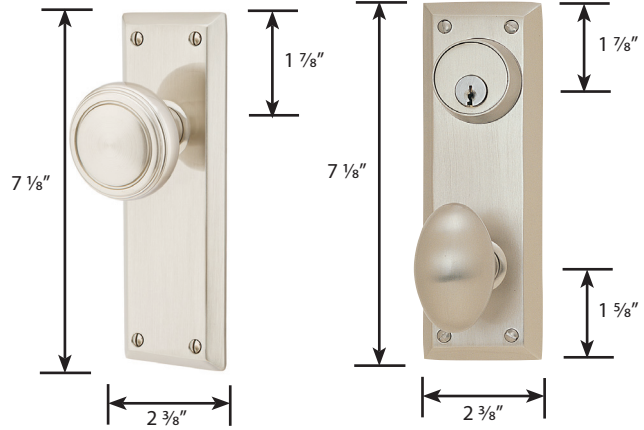
**Wilshire** Plates are 1/2" Thick

<p><b>Non-Keyed</b>                  Passage (8135)                  Privacy (8235)                  Dummy (8035)</p>	<p><b>Keyed</b>  <b>5-1/2" C-to-C</b>                  Single Cylinder (8821)                  Double Cylinder (8822)                  Dummy (8820)</p>
---	---

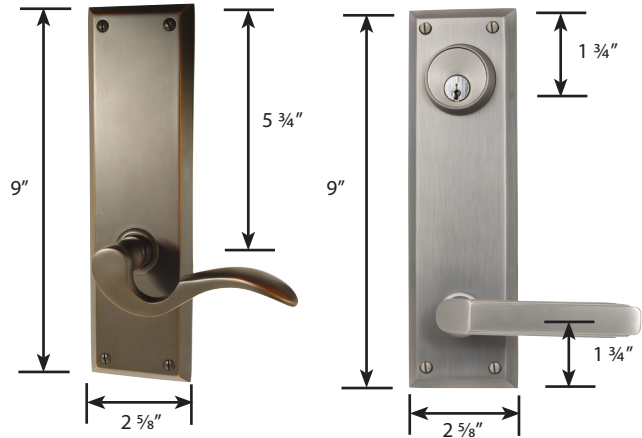


**Quincy** Plates are  $\frac{3}{8}$ " Thick

<p><b>Non-Keyed</b>                  Passage (8104)                  Privacy (8204)                  Dummy (8054)</p>	<p><b>Keyed</b>  <b>3 <math>\frac{5}{8}</math>" C-to-C</b>                  Single Cylinder (8080)                  Double Cylinder (8081)                  Dummy (8085)</p>
---	--

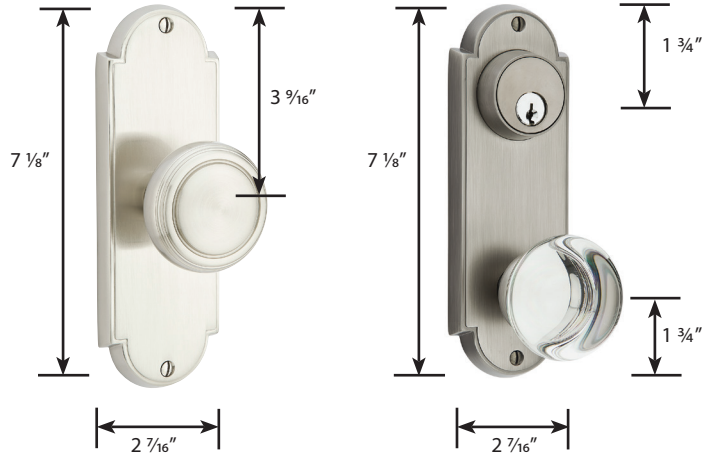


<p><b>Non-Keyed</b>                  Passage (8704)                  Privacy (8804)                  Dummy (8854)</p>	<p><b>Keyed</b>  <b>5 <math>\frac{1}{2}</math>" C-to-C</b>                  Single Cylinder (8980)                  Double Cylinder (8981)                  Dummy (8985)</p>
---	--

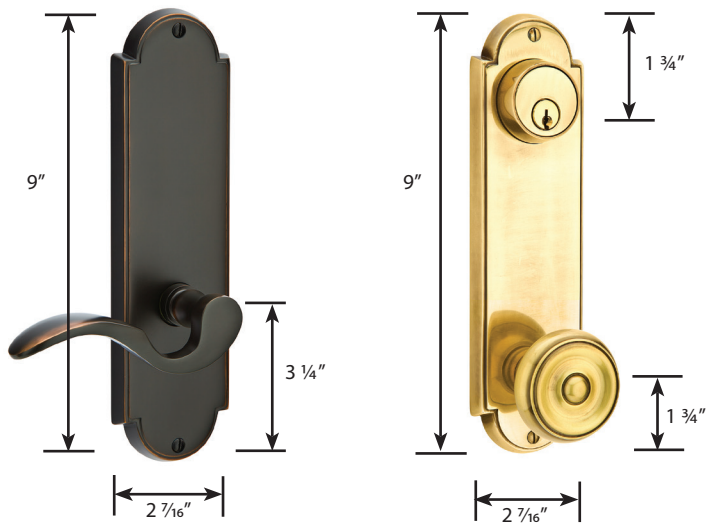


**Delaware** Plates are  $\frac{3}{8}$ " Thick

<p><b>Non-Keyed</b>                  Passage (8016)                  Privacy (8026)                  Dummy (8006)</p>	<p><b>Keyed</b>  <b>3 <math>\frac{5}{8}</math>" C-to-C</b>                  Single Cylinder (8066)                  Double Cylinder (8166)                  Dummy (8061)</p>
---	--

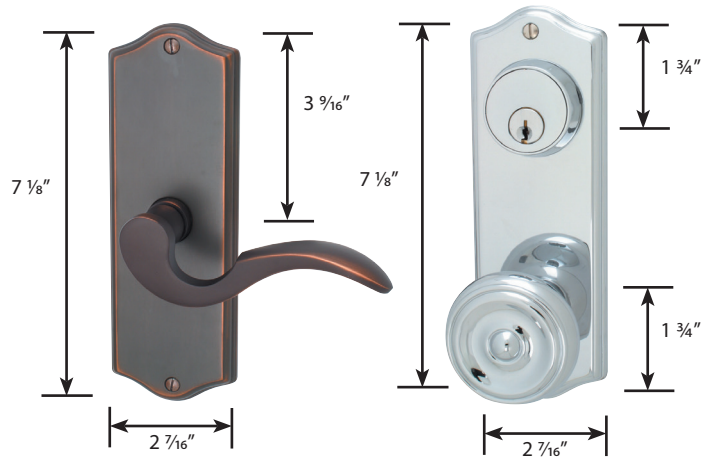


<p><b>Non-Keyed</b>                  Passage (8716)                  Privacy (8816)                  Dummy (8898)</p>	<p><b>Keyed</b>  <b>5 <math>\frac{1}{2}</math>" C-to-C</b>                  Single Cylinder (8996)                  Double Cylinder (8997)                  Dummy (8856)</p>
---	--

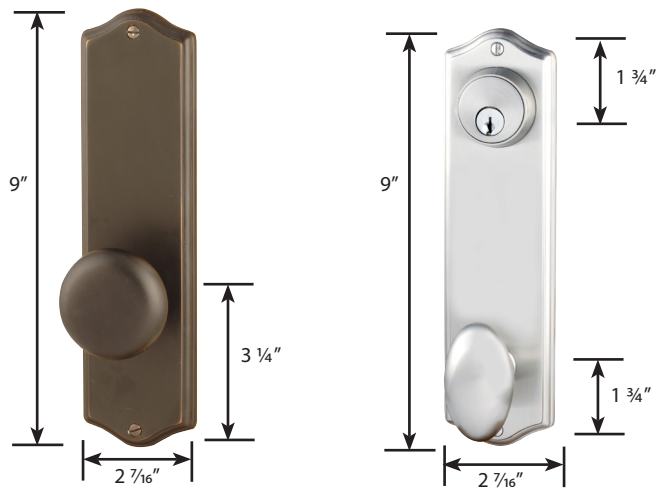


**Colonial** Plates are  $\frac{3}{8}$ " Thick

<p><b>Non-Keyed</b>                  Passage (8010)                  Privacy (8020)                  Dummy (8001)</p>	<p><b>Keyed</b>  <b>3 <math>\frac{5}{8}</math>" C-to-C</b>                  Single Cylinder (8060)                  Double Cylinder (8160)                  Dummy (8065)</p>
---	--



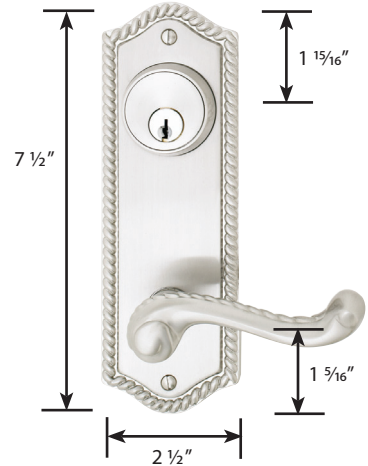
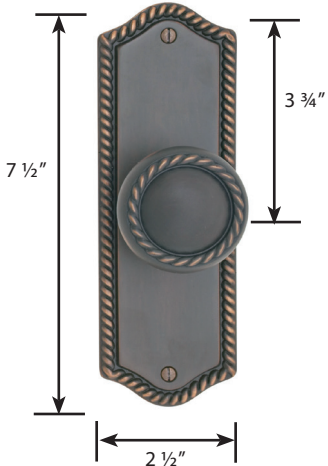
<p><b>Non-Keyed</b>                  Passage (8711)                  Privacy (8811)                  Dummy (8851)</p>	<p><b>Keyed</b>  <b>5 <math>\frac{1}{2}</math>" C-to-C</b>                  Single Cylinder (8990)                  Double Cylinder (8991)                  Dummy (8995)</p>
---	--



**Rope** Plates are  $\frac{3}{8}$ " Thick

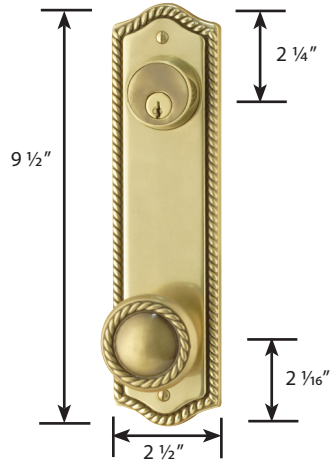
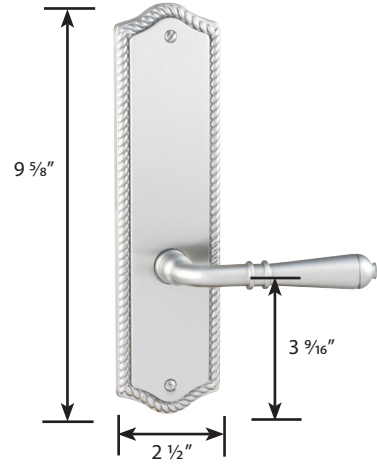
**Non-Keyed**  
 Passage (7109)  
 Privacy (7209)  
 Dummy (7059)

**Keyed**  
**3  $\frac{5}{8}$ " C-to-C**  
 Single Cylinder (7090)  
 Double Cylinder (7091)  
 Dummy (7095)



**Non-Keyed**  
 Passage (7710)  
 Privacy (7810)  
 Dummy (7850)

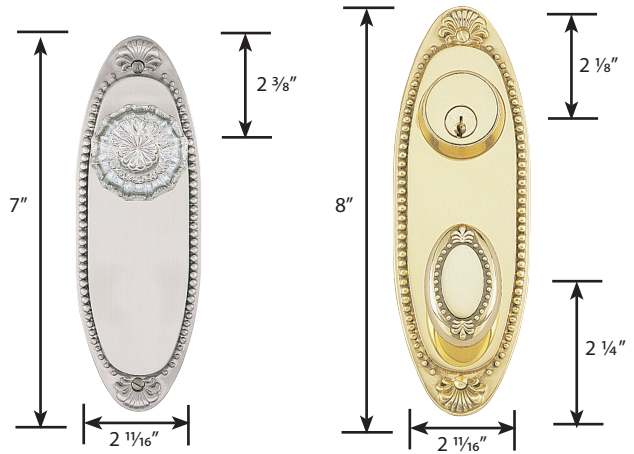
**Keyed**  
**5  $\frac{1}{2}$ " C-to-C**  
 Single Cylinder (7990)  
 Double Cylinder (7991)  
 Dummy (7995)



**Oval Beaded** Plates are  $\frac{3}{8}$ " Thick

**Non-Keyed**  
 Passage (8105)  
 Privacy (8205)  
 Dummy (8055)

**Keyed**  
 **$3 \frac{5}{8}$ " C-to-C**  
 Single Cylinder (6010)  
 Double Cylinder (6011)  
 Dummy (6015)

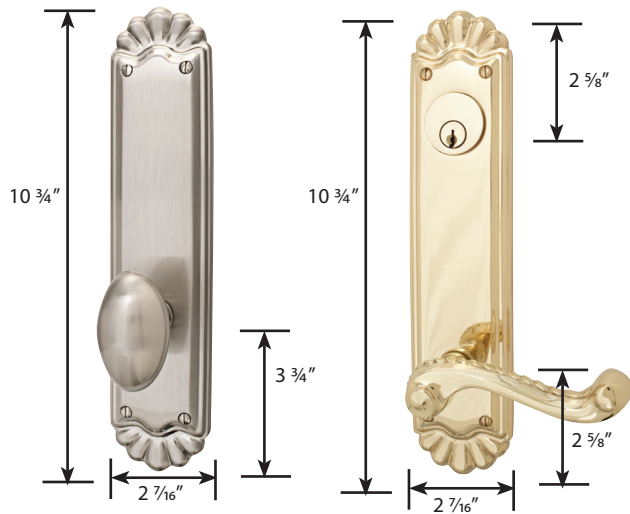


**Trenton** Plates are  $\frac{1}{2}$ " Thick

**DISCONTINUED. NO LONGER AVAILABLE.**

**Non-Keyed**  
 Passage (8109)  
 Privacy (8209)  
 Dummy (8059)

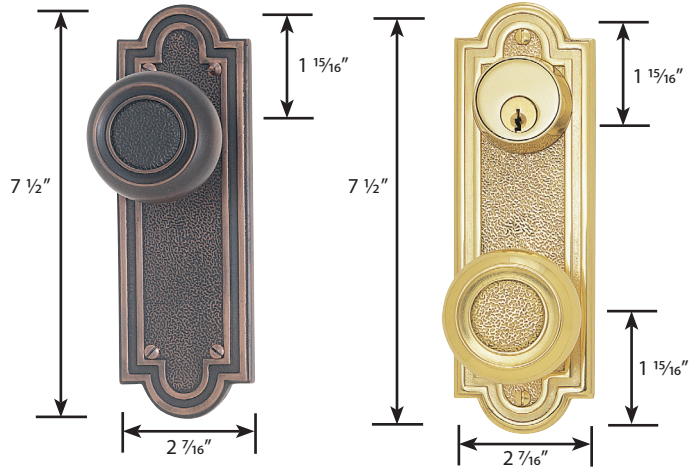
**Keyed**  
 **$5 \frac{1}{2}$ " C-to-C**  
 Single Cylinder (6030)  
 Double Cylinder (6031)  
 Dummy (6035)





**Belmont** Plates are  $\frac{3}{8}$ " Thick

<p><b>Non-Keyed</b>                  Passage (8102)                  Privacy (8202)                  Dummy (8052)</p>	<p><b>Keyed</b>  <b>3 <math>\frac{5}{8}</math>" C-to-C</b>                  Single Cylinder (8070)                  Double Cylinder (8071)                  Dummy (8075)</p>
---	--



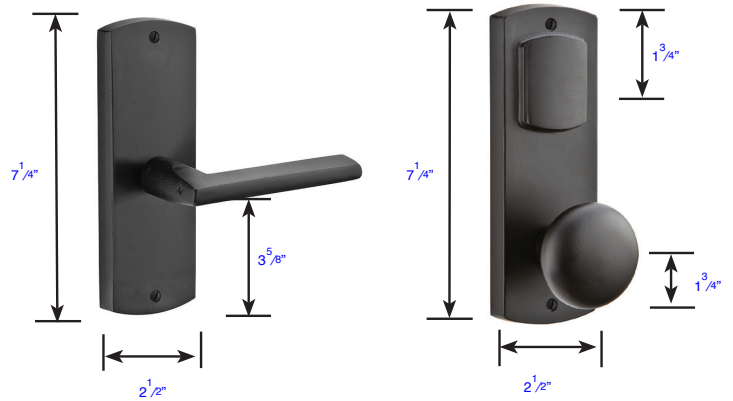
**Victoria** Plates are  $\frac{3}{8}$ " Thick

<p><b>Non-Keyed</b>                  Passage (8103)                  Privacy (8203)                  Dummy (8053)</p>	<p><b>Keyed</b>  <b>3 <math>\frac{5}{8}</math>" C-to-C</b>                  Single Cylinder (8090)                  Double Cylinder (8091)                  Dummy (8095)</p>
---	--

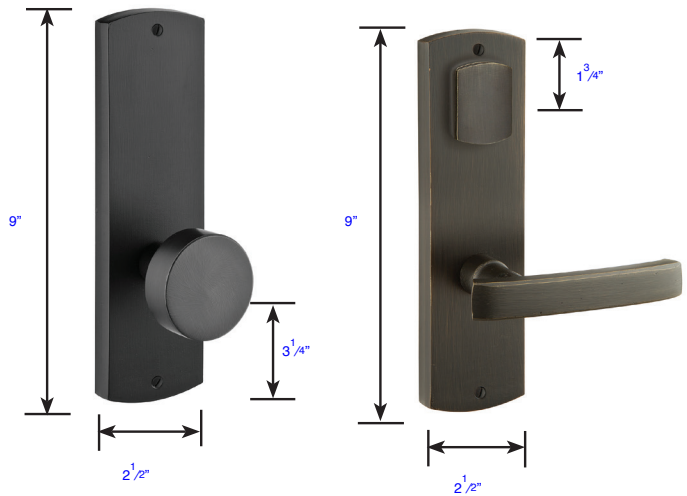


**Missoula** Plates are 1/2" Thick

<p><b>Non-Keyed</b>                  Passage (71023)                  Privacy (72023)                  Dummy (70063)</p>	<p><b>Keyed</b>  <b>3 5/8" C-to-C</b>                  Single Cylinder (7370)                  Double Cylinder (7371)                  Dummy (7375)</p>
--	---



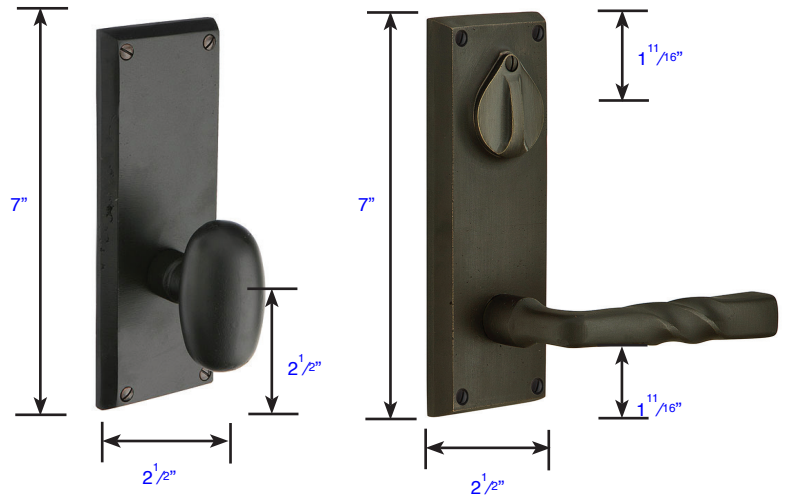
<p><b>Non-Keyed</b>                  Passage (7522)                  Privacy (7622)                  Dummy (7562)</p>	<p><b>Keyed</b>  <b>5 1/2" C-to-C</b>                  Single Cylinder (7570)                  Double Cylinder (7571)                  Dummy (7575)</p>
---	---



**Rectangular** Plates are 1/2" Thick

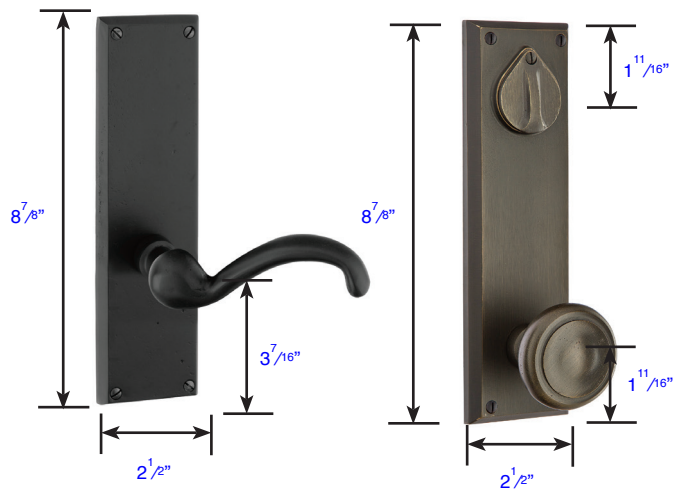
**Non-Keyed**  
 Passage (71013)  
 Privacy (72013)  
 Dummy (70053)

**Keyed**  
**3 5/8" C-to-C**  
 Single Cylinder (7360)  
 Double Cylinder (7361)  
 Dummy (7365)



**Non-Keyed**  
 Passage (7512)  
 Privacy (7612)  
 Dummy (7552)

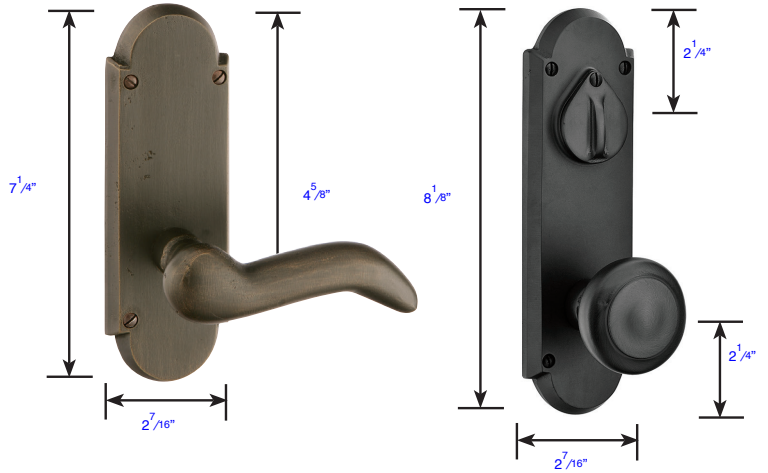
**Keyed**  
**5 1/2" C-to-C**  
 Single Cylinder (7560)  
 Double Cylinder (7561)  
 Dummy (7565)



**Sandcast Bronze #5** Plates are 1/2" Thick

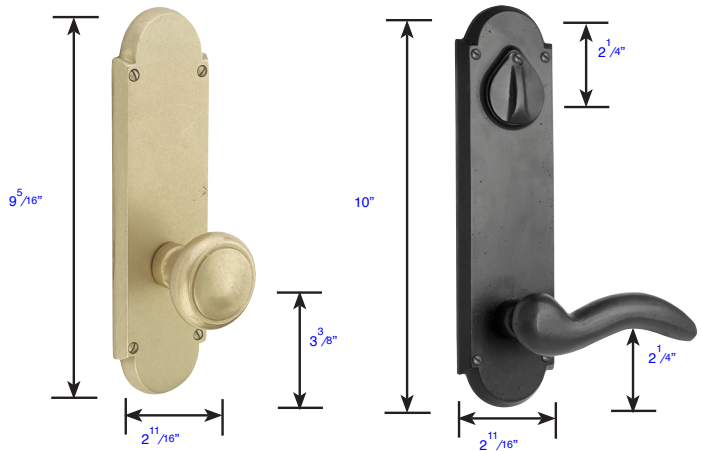
**Non-Keyed**  
 Passage (7107)  
 Privacy (7207)  
 Dummy (7057)

**Keyed**  
 3 5/8" C-to-C  
 Single Cylinder (7070)  
 Double Cylinder (7071)  
 Dummy (7075)



**Non-Keyed**  
 Passage (7707)  
 Privacy (7807)  
 Dummy (7757)

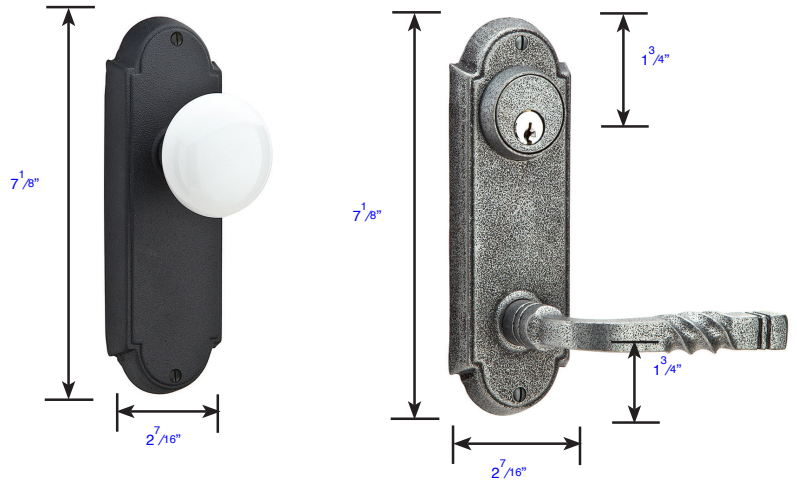
**Keyed**  
 5 1/2" C-to-C  
 Single Cylinder (7670)  
 Double Cylinder (7671)  
 Dummy (7675)



**Wrought Steel #5** *Plates are 1/2" Thick*

**Non-Keyed**  
 Passage (7105)  
 Privacy (7205)  
 Dummy (7055)

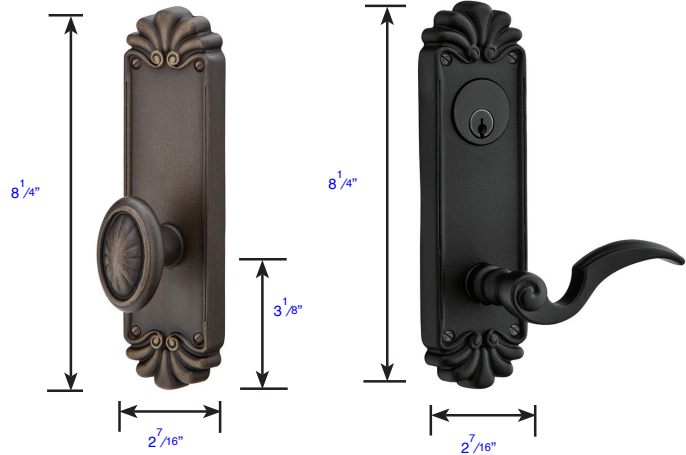
**Keyed**  
**3 5/8" C-to-C**  
 Single Cylinder (7010)  
 Double Cylinder (7011)  
 Dummy (7015)



**Tuscany #16** Plates are  $\frac{3}{8}$ " Thick

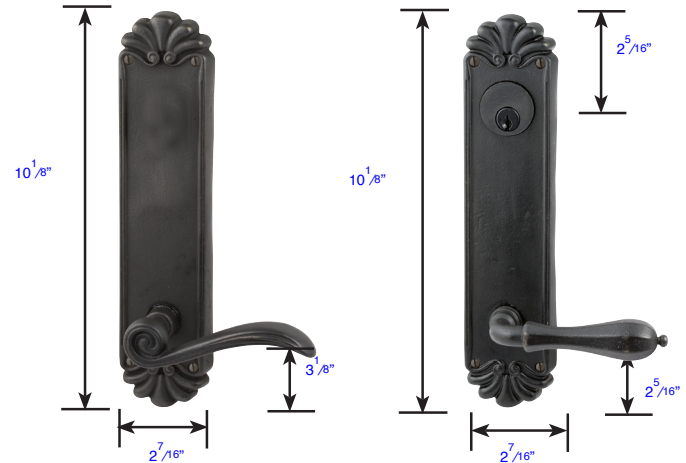
**Non-Keyed**  
 Passage (6102)  
 Privacy (6202)  
 Dummy (6052)

**Keyed**  
**3  $\frac{5}{8}$ " C-to-C**  
 Single Cylinder (6020)  
 Double Cylinder (6021)  
 Dummy (6025)



**Non-Keyed**  
 Passage (6702)  
 Privacy (6802)  
 Dummy (6752)

**Keyed**  
**5  $\frac{1}{2}$ " C-to-C**  
 Single Cylinder (6620)  
 Double Cylinder (6621)  
 Dummy (6625)



## Brass Non-Keyed Plates (Passage/Privacy)

Delaware (8016/8026 & 8716/8816), Colonial (8010/8020 & 8711/8811), Belmont (8102/8202), Quincy (8104/8204 & 8704/8804), Victoria (8103/8203), Oval Beaded (8105/8205), Rope (7109/7209 & 7710/7810), Modern (8111/8112 & 8113/8213)

<ul style="list-style-type: none"> <li>• Standard Door Thickness: 1¼" - 2"</li> <li><b>Standard Components:</b></li> <li>• Privacy Pin (for privacy sets)</li> <li>• Inside Passage Half Spindle</li> <li>• 1" Wood Screws</li> <li>• Threaded Tubes &amp; Machine Screws <i>supplied upon request for Hollow-Core Doors</i></li> <li>• Full-Lip Strike Plate</li> </ul>	<ul style="list-style-type: none"> <li>• <b>Extended</b> Door Thickness: 2" - 3"</li> <li><b>Extended Components:</b></li> <li>• Privacy Pin w/ Extensions (for privacy sets)</li> <li>• Long Inside Passage Half Spindle</li> <li>• 1" Wood Screws</li> <li>• Threaded Tubes &amp; Machine Screws <i>supplied upon request for Hollow-Core Doors</i></li> <li>• Extended Full-Lip Strike Plate</li> </ul>
--	--

## Brass Keyed Plates, Single Cylinder

Delaware (8066/8996), Colonial (8060/8990), Belmont (8070), Quincy (8080/8980), Victoria (8090), Oval Beaded (6010), Rope (7090/7990), Modern (8112/8114)

<ul style="list-style-type: none"> <li>• Standard Door Thickness: 1¼" - 1¾"</li> <li><b>Standard Components:</b></li> <li>• Single Cylinder Tailpiece</li> <li>• Inside Passage Half Spindle</li> <li>• 1" Wood Screws</li> <li>• Threaded Tubes &amp; Machine Screws <i>supplied upon request for Hollow-Core Doors</i></li> <li>• 2¼" Deadbolt Mounting Screws</li> <li>• Full-Lip Strike Plate</li> <li>• Deadbolt Strike Plate</li> </ul>	<ul style="list-style-type: none"> <li>• <b>Extended</b> Door Thickness: 1¾" - 2¼"</li> <li><b>Extended Components:</b></li> <li>• Long Single Cylinder Tailpiece</li> <li>• Long Inside Passage Half Spindle</li> <li>• 1" Wood Screws</li> <li>• Threaded Tubes &amp; Machine Screws <i>supplied upon request for Hollow-Core Doors</i></li> <li>• 2½" Deadbolt Mounting Screws</li> <li>• Extended Full-Lip Strike Plate</li> <li>• Deadbolt Strike Plate</li> </ul>	<ul style="list-style-type: none"> <li>• <b>Extended</b> Door Thickness: 2¼" - 2¾"</li> <li><b>Extended Components:</b></li> <li>• Extra Long Single Cylinder Tailpiece</li> <li>• Extra Long Inside Passage Half Spindle</li> <li>• 1" Wood Screws</li> <li>• Threaded Tubes &amp; Machine Screws <i>supplied upon request for Hollow-Core Doors</i></li> <li>• 3" &amp; 3½" Deadbolt Mounting Screws</li> <li>• Extended Full-Lip Strike Plate</li> <li>• Deadbolt Strike Plate</li> </ul>
---	---	--

## Brass Keyed Plates, Double Cylinder

Delaware (8166/8997), Colonial (8160/8991), Belmont (8071), Quincy (8081/8981), Victoria (8091), Oval Beaded (6011), Rope (7091/7991), Modern (8212/8214)

<ul style="list-style-type: none"> <li>• Standard Door Thickness: 1⅝" - 1¾"</li> <li><b>Standard Components:</b></li> <li>• Double Cylinder Tailpiece</li> <li>• Inside Passage Half Spindle</li> <li>• 1" Wood Screws</li> <li>• Threaded Tubes &amp; Machine Screws <i>supplied upon request for Hollow-Core Doors</i></li> <li>• 3" Deadbolt Mounting Screws</li> <li>• Full-Lip Strike Plate</li> <li>• Deadbolt Strike Plate</li> </ul>	<ul style="list-style-type: none"> <li>• <b>Extended</b> Door Thickness: 1¾" - 2½"</li> <li><b>Extended Components:</b></li> <li>• Long Double Cylinder Tailpiece</li> <li>• Long Inside Passage Half Spindle</li> <li>• 1" Wood Screws</li> <li>• Threaded Tubes &amp; Machine Screws <i>supplied upon request for Hollow-Core Doors</i></li> <li>• 3½" Deadbolt Mounting Screws</li> <li>• Extended Full-Lip Strike Plate</li> <li>• Deadbolt Strike Plate</li> </ul>
--	---



## Trenton Keyed Plates, Single Cylinder (6030)

• Standard Door Thickness: 1 $\frac{5}{8}$ " - 2 $\frac{1}{8}$ "

**Standard Components:**

- Single Cylinder Tailpiece
- Inside Passage Half Spindle
- 1" Wood Screws
- Threaded Tubes & Machine Screws  
*supplied upon request for Hollow-Core Doors*
- 2 $\frac{1}{4}$ " Deadbolt Mounting Screws
- Full-Lip Strike Plate
- Deadbolt Strike Plate

• **Extended** Door Thickness: 1 $\frac{3}{4}$ " - 2 $\frac{3}{4}$ "

**Extended Components:**

- Long Single Cylinder Tailpiece
- Long Inside Passage Half Spindle
- 1" Wood Screws
- Threaded Tubes & Machine Screws  
*supplied upon request for Hollow-Core Doors*
- 2 $\frac{1}{2}$ " & 3" Deadbolt Mounting Screws
- Extended Full-Lip Strike Plate
- Deadbolt Strike Plate

## Trenton (Brass), Keyed Plates, Double Cylinder (6031)

• Standard Door Thickness: 1 $\frac{5}{8}$ " - 2"

**Standard Components:**

- Double Cylinder Tailpiece
- Inside Passage Half Spindle
- 1" Wood Screws
- Threaded Tubes & Machine Screws  
*supplied upon request for Hollow-Core Doors*
- 2 $\frac{1}{2}$ " Deadbolt Mounting Screws
- Full-Lip Strike Plate
- Deadbolt Strike Plate

• **Extended** Door Thickness: 2" - 2 $\frac{5}{8}$ "

**Extended Components:**

- Long Double Cylinder Tailpiece
- Long Inside Passage Half Spindle
- 1" Wood Screws
- Threaded Tubes & Machine Screws  
*supplied upon request for Hollow-Core Doors*
- 3" Deadbolt Mounting Screws
- Extended Full-Lip Strike Plate
- Deadbolt Strike Plate

\* Part # DB4-COLLAR32 Available for 1 $\frac{3}{4}$ " Thick Doors

## Cast Bronze Non-Keyed Plates (Passage/Privacy)

Sandcast Bronze #5 (7107/7207 & 7707/7807), Rectangular (71013/72013 & 7512/7612), Tuscany #16 (6102/6202 & 6702/6802) Missoula (71023/72023, 7522/7622)

• Standard Door Thickness: 1 $\frac{1}{4}$ " - 2"

**Standard Components:**

- Privacy Pin (for privacy sets)
- Inside Passage Half Spindle
- 1" Wood Screws
- Threaded Tubes & Machine Screws  
*supplied upon request for Hollow-Core Doors*
- Full-Lip Strike Plate

• **Extended** Door Thickness: 2" - 3"

**Extended Components:**

- Privacy Pin w/ Extensions (for privacy sets)
- Long Inside Passage Half Spindle
- 1" Wood Screws
- Threaded Tubes & Machine Screws  
*supplied upon request for Hollow-Core Doors*
- Extended Full-Lip Strike Plate

## Cast Bronze Keyed Plates, Single Cylinder

Sandcast Bronze #5 (7070/7670), Rectangular (7360/7560), Tuscany #16 (6020/6620), Missoula (7370/7570)

• Standard Door Thickness: 1 $\frac{5}{8}$ " - 2"

**Standard Components:**

- Single Cylinder Tailpiece
- Inside Passage Half Spindle
- 1" Wood Screws
- Threaded Tubes & Machine Screws  
*supplied upon request for Hollow-Core Doors*
- 2 $\frac{1}{4}$ " Deadbolt Mounting Screws
- Full-Lip Strike Plate
- Deadbolt Strike Plate

• **Extended** Door Thickness: 2" - 2 $\frac{3}{8}$ "

**Extended Components:**

- Long Single Cylinder Tailpiece
- Long Inside Passage Half Spindle
- 1" Wood Screws
- Threaded Tubes & Machine Screws  
*supplied upon request for Hollow-Core Doors*
- 2 $\frac{1}{2}$ " Deadbolt Mounting Screws
- Extended Full-Lip Strike Plate
- Deadbolt Strike Plate

• **Extended** Door Thickness: 2 $\frac{3}{8}$ " - 3"

**Extended Components:**

- Extra Long Single Cylinder Tailpiece
- Extra Long Inside Passage Half Spindle
- 1" Wood Screws
- Threaded Tubes & Machine Screws  
*supplied upon request for Hollow-Core Doors*
- 3" & 3 $\frac{1}{2}$ " Deadbolt Mounting Screws
- Extended Full-Lip Strike Plate
- Deadbolt Strike Plate



## Cast Bronze Keyed Plates, Double Cylinder

Sandcast Bronze #5 (7071/7671), Rectangular (7361/7561), Tuscany #16 (6021/6621), Missoula (7371/7571)

<ul style="list-style-type: none"> <li>• Standard Door Thickness: 1½" - 2"</li> <li><b>Standard Components:</b></li> <li>• Single Cylinder Tailpiece</li> <li>• Inside Passage Half Spindle</li> <li>• 1" Wood Screws</li> <li>• Threaded Tubes &amp; Machine Screws <i>supplied upon request for Hollow-Core Doors</i></li> <li>• 2½" Deadbolt Mounting Screws</li> <li>• Full-Lip Strike Plate</li> <li>• Deadbolt Strike Plate</li> </ul>	<ul style="list-style-type: none"> <li>• <b>Extended</b> Door Thickness: 2" - 2½"</li> <li><b>Extended Components:</b></li> <li>• Long Double Cylinder Tailpiece</li> <li>• Long Inside Passage Half Spindle</li> <li>• 1" Wood Screws</li> <li>• Threaded Tubes &amp; Machine Screws <i>supplied upon request for Hollow-Core Doors</i></li> <li>• 3" Deadbolt Mounting Screws</li> <li>• Extended Full-Lip Strike Plate</li> <li>• Deadbolt Strike Plate</li> </ul>	<ul style="list-style-type: none"> <li>• <b>Extended</b> Door Thickness: 2½" - 2¾"</li> <li><b>Extended Components:</b></li> <li>• Long Double Cylinder Tailpiece</li> <li>• Long Inside Passage Half Spindle</li> <li>• 1" Wood Screws</li> <li>• Threaded Tubes &amp; Machine Screws <i>supplied upon request for Hollow-Core Doors</i></li> <li>• 3½" Deadbolt Mounting Screws</li> <li>• Extended Full-Lip Strike Plate</li> <li>• Deadbolt Strike Plate</li> </ul>
--	---	---

## Wrought Steel #5 Keyed Plates, Double Cylinder (7011)

<ul style="list-style-type: none"> <li>• Standard Door Thickness: 1⅝" - 1¾"</li> <li><b>Standard Components:</b></li> <li>• Double Cylinder Tailpiece</li> <li>• Inside Passage Half Spindle</li> <li>• 1" Wood Screws</li> <li>• Threaded Tubes &amp; Machine Screws <i>supplied upon request for Hollow-Core Doors</i></li> <li>• 3" Deadbolt Mounting Screws</li> <li>• Full-Lip Strike Plate</li> <li>• Deadbolt Strike Plate</li> </ul>	<ul style="list-style-type: none"> <li>• <b>Extended</b> Door Thickness: 1¾" - 2⅜"</li> <li><b>Extended Components:</b></li> <li>• Long Double Cylinder Tailpiece</li> <li>• Long Inside Passage Half Spindle</li> <li>• 1" Wood Screws <i>supplied upon request for Hollow-Core Doors</i></li> <li>• 3½" Deadbolt Mounting Screws</li> <li>• Extended Full-Lip Strike Plate</li> <li>• Deadbolt Strike Plate</li> </ul>
--	--

## Wrought Steel Non-Keyed Plate (Passage/Privacy) (7105/7205)

<ul style="list-style-type: none"> <li>• Standard Door Thickness: 1¼" - 1¾"</li> <li><b>Standard Components:</b></li> <li>• Privacy Pin (for privacy sets)</li> <li>• Inside Passage Half Spindle</li> <li>• 1" Wood Screws</li> <li>• Threaded Tubes &amp; Machine Screws <i>supplied upon request for Hollow-Core Doors</i></li> <li>• Full-Lip Strike Plate</li> </ul>	<ul style="list-style-type: none"> <li>• <b>Extended</b> Door Thickness: 1¾" - 2⅜"</li> <li><b>Extended Components:</b></li> <li>• Privacy Pin w/Extension (for privacy sets)</li> <li>• Long Inside Passage Half Spindle</li> <li>• 1" Wood Screws <i>supplied upon request for Hollow-Core Doors</i></li> <li>• Extended Full-Lip Strike Plate</li> </ul>	<ul style="list-style-type: none"> <li>• <b>Extended</b> Door Thickness: 1¾" - 2⅜"</li> <li><b>Extended Components:</b></li> <li>• Privacy Pin w/Extension (for privacy sets)</li> <li>• Long Inside Passage Half Spindle</li> <li>• 1" Wood Screws</li> <li>• Threaded Tubes &amp; Machine Screws <i>supplied upon request for Hollow-Core Doors</i></li> <li>• Extended Full-Lip Strike Plate</li> </ul>
---	---	--

## Wrought Steel #5 Keyed Plates, Single Cylinder (7010)

<ul style="list-style-type: none"> <li>• Standard Door Thickness: 1½" - 1¾"</li> <li><b>Standard Components:</b></li> <li>• Single Cylinder Tailpiece</li> <li>• Inside Passage Half Spindle</li> <li>• 1" Wood Screws</li> <li>• Threaded Tubes &amp; Machine Screws <i>supplied upon request for Hollow-Core Doors</i></li> <li>• 2¼" Deadbolt Mounting Screws</li> <li>• Full-Lip Strike Plate</li> <li>• Deadbolt Strike Plate</li> </ul>	<ul style="list-style-type: none"> <li>• <b>Extended</b> Door Thickness: 1¾" - 2¼"</li> <li><b>Extended Components:</b></li> <li>• Long Single Cylinder Tailpiece</li> <li>• Long Inside Passage Half Spindle</li> <li>• 1" Wood Screws</li> <li>• Threaded Tubes &amp; Machine Screws <i>supplied upon request for Hollow-Core Doors</i></li> <li>• 2½" Deadbolt Mounting Screws</li> <li>• Extended Full-Lip Strike Plate</li> <li>• Deadbolt Strike Plate</li> </ul>	<ul style="list-style-type: none"> <li>• <b>Extended</b> Door Thickness: 2¼" - 2¾"</li> <li><b>Extended Components:</b></li> <li>• Extra Long Single Cylinder Tailpiece</li> <li>• Extra Long Inside Passage Half Spindle</li> <li>• 1" Wood Screws</li> <li>• Threaded Tubes &amp; Machine Screws <i>supplied upon request for Hollow-Core Doors</i></li> <li>• 3" Deadbolt Mounting Screws</li> <li>• Extended Full-Lip Strike Plate</li> <li>• Deadbolt Strike Plate</li> </ul>
---	---	--