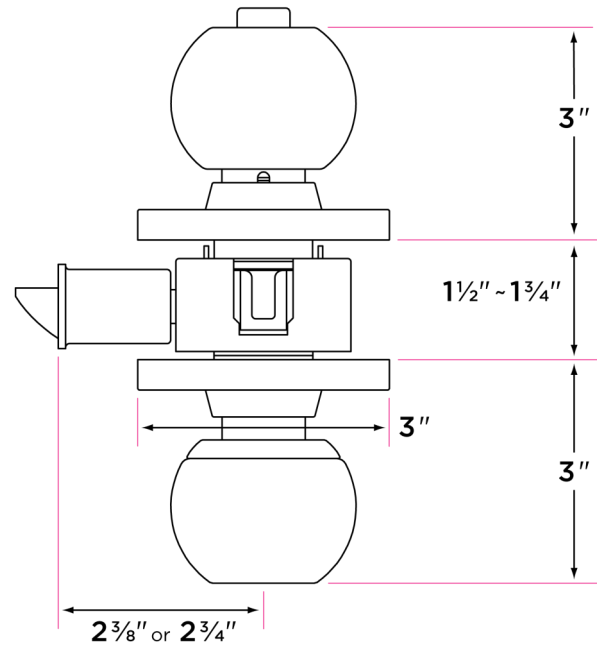


## Cylindrical Knobset grade 2

GT107



| DESCRIPTION  | PRODUCT CODE | CASE |
|--|--------------|------|
| Passage (hall/closet) Both sides always free   | GT101        | 12   |
| Privacy (bed/bath) Locked by push button. Unlocked by inside knob or outside coin slot. Inside knob is always free.  | GT102        | 12   |
| Entry- Knob locked by inside push button or outside key. Unlocked by key or inside knob. Inside knob is always free. | GT107        | 12   |
| Storeroom- Outside knob always locked and a key is required to open. Inside knob is always free.                     | GT105        | 12   |
| Classroom- Outside knob locks or unlocks with a key. Inside knob is always free.                                     | GT108        | 12   |
| Dummy (closet) Inactive, single-sided, flush mount with two wood screws  | GT100        | 24   |

### Finishes

26D Satin Chrome

### Certifications

ANSI Grade 2  
 UL 3 Hour Fire Rating  
 ADA Compliant

### Door Thickness

1 3/8" to 1 3/4"

### Door Handing

Reversible Handing

### Key Cylinder

6 Pin SC1 standard  
 6 Pin KW1 option

### Strike Plate

5" ASA Strike

### Latch

Cylindrical  
 Specify 2 3/8" or 2 3/4" backset  
 1/2" throw bolt

### Door Prep

Crossbore 2 1/8"  
 Edgebore 1"

### Materials

Zinc  
 All metal parts