

# HPDL258 PRIVACY DOOR LATCH

The Cal-Royal Hotel Privacy Door Lock (HPDL) is recommended for use in environments with corridor to room openings such as hotels, dormitories, apartments and even private residences. The latch would allow the door to be partially opened for identification while providing privacy and security for the resident. The HPDL in the open position, cannot be used to hold the door open. The silicone pads (6) provides additional protection for the door and act as a silencer.

The HPDL is UL Classified as a fire door accessory. It also meets the requirements of NFPA that requires auxillary hardware to not interfere or prohibit the proper operation of fire doors, and that doors are not blocked or wedged in the open position.

An optional Rivet Nut can be applied for a more secure and rigid installation.

**Features**

- UL Listed
- Simple to operate
- Easy to install
- Optional Rivnut Installation

**Specifications**

- Material: Zinc Die Cast
- Height: 2-1/8"
- Width (Base): 1-1/2"
- Weight: 0.65 lbs/unit
- Opening Angle: 87°
- Fasteners : #12-24 x 1/2" MS,  
2" w/ no.12 head WS;  
(3) Rivet Nut #12-24 x 3/4" MS

**Finish**

- US26D - Satin Chrome
- US26 - Bright Chrome
- US3 - Bright Brass
- US4 - Satin Brass
- US10B - Oil Rubbed Bronze
- US19 - Flat Black Coated

**Certifications**

- Meets NFPA 80 5.2.13.3
- Meets NFPA 80 5.2.4.2(9)
- ADA Compliant



OPEN POSITION



CLOSE POSITION



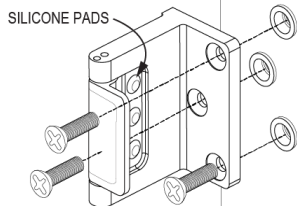
SILICONE PADS

**OPTIONAL RIVET NUT INSTALLATION**

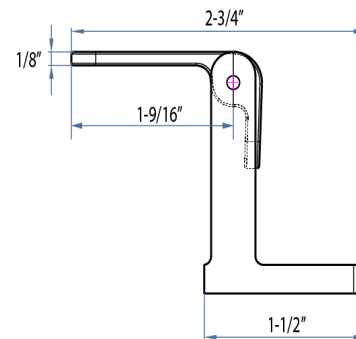
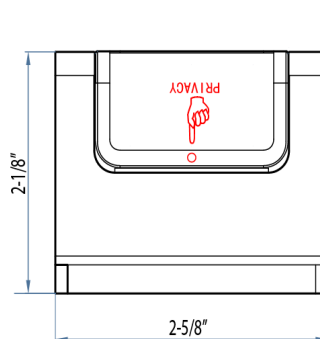
\*RIVET NUT TOOL  
NOT INCLUDED



RIVET NUT  
(CUT AWAY VIEW)



SILICONE PADS



**CAL-ROYAL PRODUCTS, INC.**

6605 Flotilla St., City of Commerce, CA 90040 U.S.A.  
Phone: (323) 888-6601 • (800) 876-9258 • Fax: (323) 888-6699 • (800) 222-3316  
Email: sales@cal-royal.com • Website: www.cal-royal.com

The illustration and technical description in this cut sheet is current as of the date in the version date on the right. Cal-Royal Product reserves the right to, and may, on occasions, make changes and/or improvements in designs and dimensions without prior notice.

