

FP4000, SOLID BRASS RECTANGULAR FLUSH PULL WITH REMOVABLE BACK PLATE

Features

- Easy Installation
- Packed with Screws

Dimensions

- 3-7/8" x 1-11/16" x 7/16"

Applications

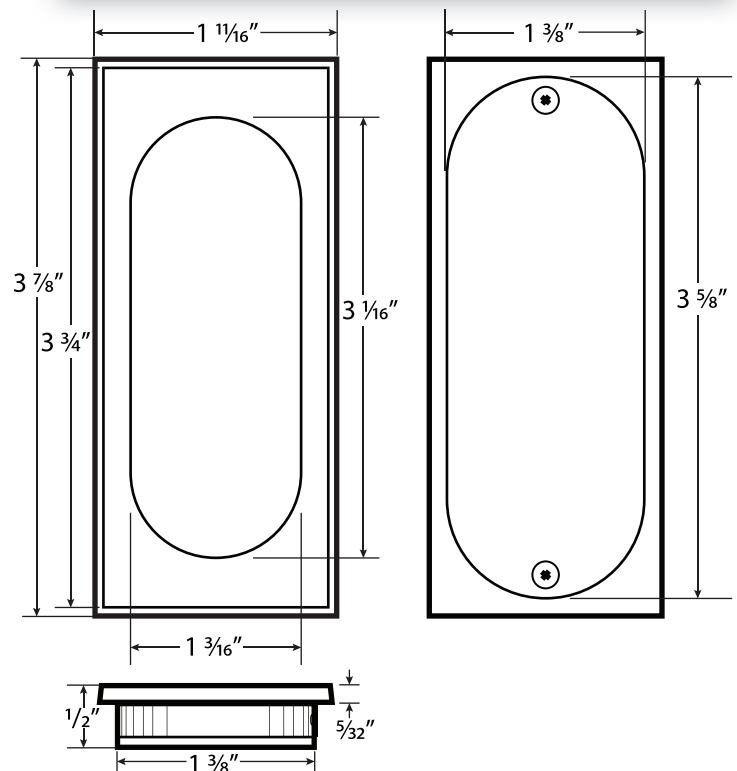
- Used in sliding doors, cabinet doors, and pocket doors.

Finishes

- US10B - Oil Rubbed Bronze
- US15 - Satin Nickel
- US1 - Black
- US26 - Bright Chrome
- US26D - Satin Chrome



FP4000



CAL-ROYAL PRODUCTS, INC.

6605 Flotilla St., City of Commerce, CA 90040 U.S.A.

Phone: (323) 888-6601 • (800) 876-9258 • Fax: (323) 888-6699 • (800) 222-3316

Email: sales@cal-royal.com • Website: www.cal-royal.com

The illustration and technical description in this cut sheet is current as of the date in the version date on the right. Cal-Royal Product reserves the right to, and may, on occasions, make changes and/or improvements in designs and dimensions without prior notice.

2019 01
YEAR PRINTED VERSION NO.7

© Cal-Royal Products, Inc. 2019