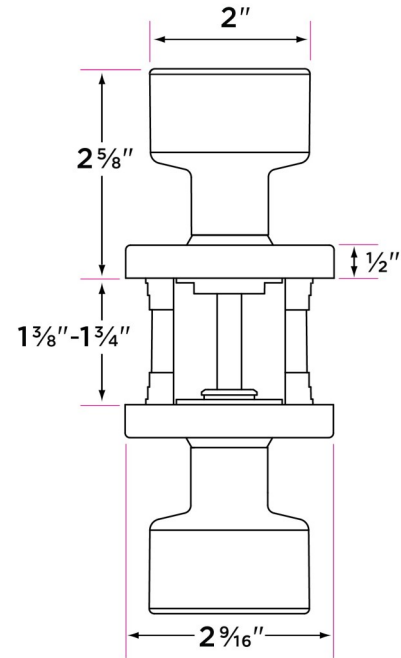


Bergen Knob



DESCRIPTION	PRODUCT CODE	CASE
Passage (hall/closet) Both sides always free	BG101	24
Privacy (bed/bath) Locked by finger turn. Unlocked by finger turn or coin slot from the outside	BG102	24
Entry-Locked/unlocked by inside finger turn or outside key	BG107	24
Dummy (closet) Inactive, single-sided, flush mount with two wood screws	BG100	24
Handleset Interior Trim	BG100-H	24

Finishes

32D Stainless Steel
26 Polished Chrome
11P Vintage Bronze
FBL Flat Black
SB Satin Brass

Door Handing

Non-handed

Door Thickness

1 3/8" to 1 3/4"

Key Cylinder

5 Pin KW1
5 Pin SC1 option

Strike Plate

2 1/4" x 1 3/4" full-lip radius corner standard

Latch

2 1/4" x 1" radius corner faceplate
4 in 1 latch with collar for drive-in function
Adjustable 2 3/8" or 2 3/4"
1/2" throw bolt

Door Prep

Crossbore 2 1/8"
Edgebore 1"

Materials

Formed Brass
All metal components