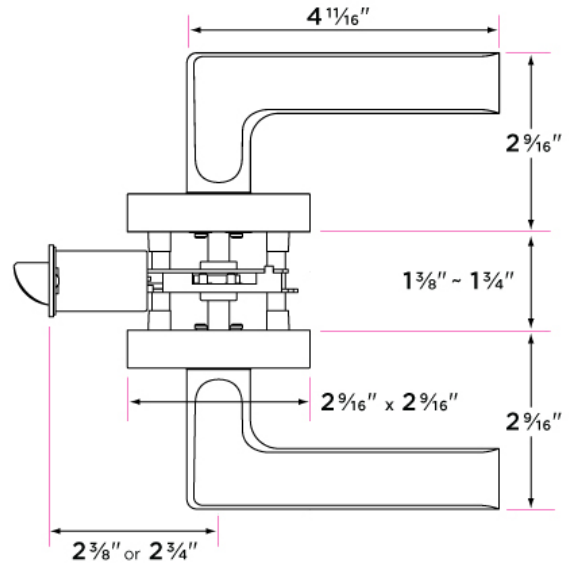
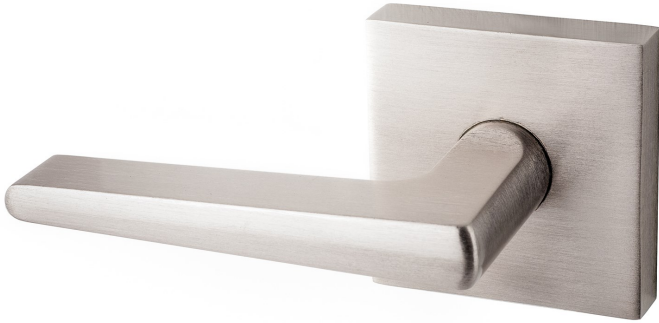


Basel 28° Lever



DESCRIPTION	PRODUCT CODE	CASE
Passage (hall/closet) Both sides always free	BS101-28	12
Privacy (bed/bath) Locked by push pin. Unlocked by push pin, lever turn, or emergency pin outside	BS102-28	12
Dummy (closet) Inactive, single-sided, flush mount with two wood screws	BS100-SQ	24
Handleset Interior Trim	BS100-HSQ	24

Finishes

15 Satin Nickel
FBL Flat Black

Door Handing

Reversible

Door Thickness

1 3/8" to 2"

Key Cylinder

No entry function

Strike Plate

2 1/4" x 1 3/4" full-lip radius corner standard

Latch

2 1/4" x 1" radius corner faceplate or
Drive-in latch
Non-adjustable 2 3/8" or 2 3/4"
28 degree turn radius
1/2" throw bolt
Split Spindle- both sides operate independently

Door Prep

Crossbore 2 1/8"
Edgebore 1"

Materials

Zinc
All metal parts