



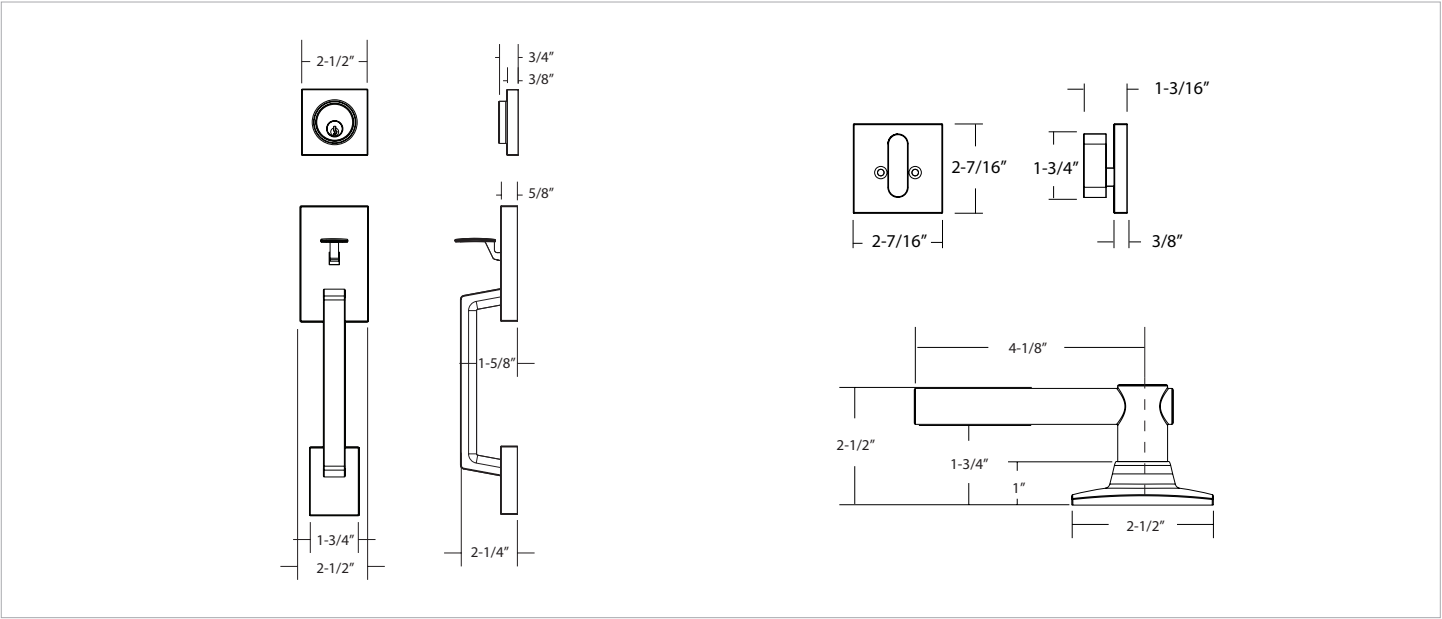
# EXPRESSIONS™ SERIES

Style  
Lever  
Finishes

**Marcel  
Holden**  
Satin Brass (US4)  
Satin Nickel (US15)  
Flat Black (US19)  
Polished Chrome (US26)



Door Specs	2-1/8" Face Bore, 1" Edge Bore 5-1/2" Center to Center Door Prep 1" x 2-1/4" Radius Corner
Latch	2-3/8" or 2-3/4" Adjustable latch, Radius Corner
Door Thickness	1-3/8" to 1-3/4"
Cylinder	SC1 KW1 Optional WR5 Optional
Handing	Universal handing



Description	Function	Satin Brass	Satin Nickel	Flat Black	Polished Chrome
Marcel Entry Set with Holden Lever, Schlage Keyway	Single Cylinder	YMRC44.HLDUS4	YMRC44.HLDUS15	YMRC44.HLDUS19	YMRC44.HLDUS26
Marcel Entry Set with Holden Lever, Kwikset Keyway	Single Cylinder	KYMRC44.HLDUS4	KYMRC44.HLDUS15	KYMRC44.HLDUS19	KYMRC44.HLDUS26
Marcel Entry Set with Holden Lever, Weiser Keyway	Single Cylinder	WYMRC44.HLDUS4	WYMRC44.HLDUS15	WYMRC44.HLDUS19	WYMRC44.HLDUS26