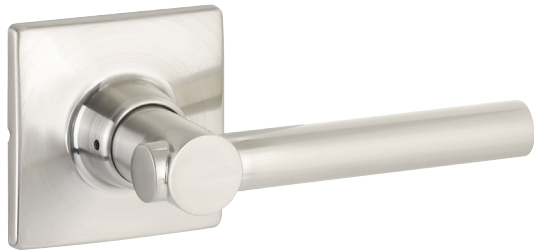




EXPRESSIONS™ SERIES

Rosette
Lever
Finishes

Marcel
Holden
Satin Brass (US4)
Satin Nickel (US15)
Flat Black (US19)
Polished Chrome (US26)



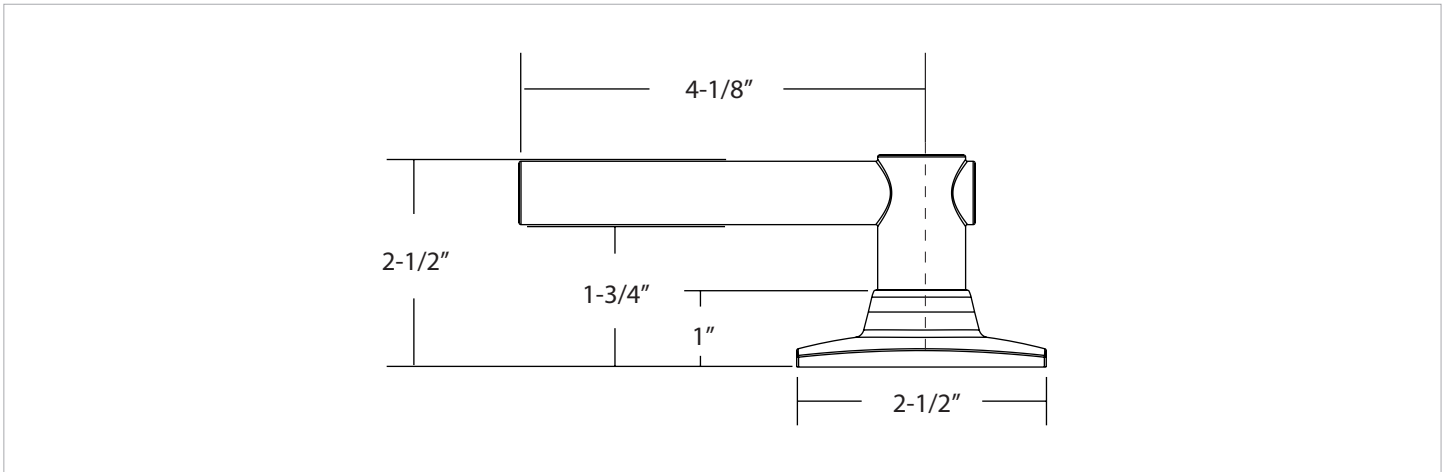
Door Specs 2-1/8" Face Bore, 1" Edge Bore
1" x 2-1/4" Radius Corner

Latch 2-3/8" or 2-3/4" Adjustable latch,
Radius Corner

Door Thickness 1-3/8" to 1-3/4"

Cylinder SC1
KW1 Optional
WR5 Optional

Handing Universal handing



Description

Marcel Rosette with Holden Lever, Schlage Keyway
Marcel Rosette with Holden Lever, Kwikset Keyway
Marcel Rosette with Holden Lever, Weiser Keyway
Marcel Rosette with Holden Lever
Marcel Rosette with Holden Lever
Marcel Rosette with Holden Lever

Function

Keyed
Keyed
Keyed
Passage
Privacy
Dummy Pair

Satin Brass

YMRC52.HLDUS4
KYMRC52.HLDUS4
WYMRC52.HLDUS4
YMRC23.HLDUS4
YMRC24.HLDUS4
YMRC25.HLDUS4

Satin Nickel

YMRC52.HLDUS15
KYMRC52.HLDUS15
WYMRC52.HLDUS15
YMRC23.HLDUS15
YMRC24.HLDUS15
YMRC25.HLDUS15

Flat Black

YMRC52.HLDUS19
KYMRC52.HLDUS19
WYMRC52.HLDUS19
YMRC23.HLDUS19
YMRC24.HLDUS19
YMRC25.HLDUS19

Polished Chrome

YMRC52.HLDUS26
KYMRC52.HLDUS26
WYMRC52.HLDUS26
YMRC23.HLDUS26
YMRC24.HLDUS26
YMRC25.HLDUS26