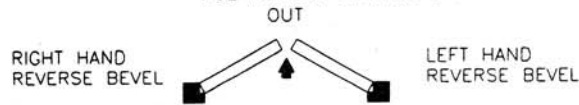


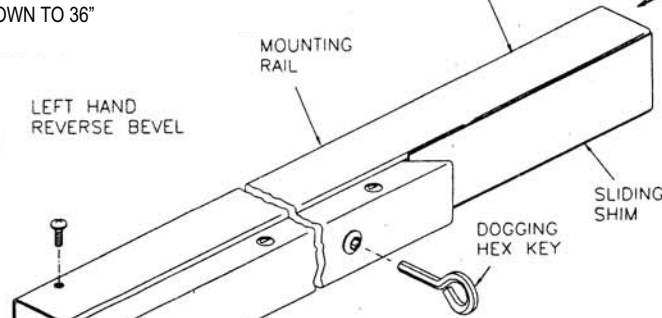
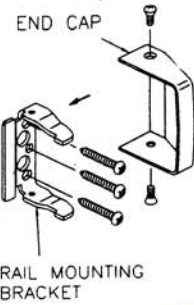
INSTALLATION INSTRUCTION FOR 9800 SERIES PANIC EXIT DEVICE

1. BEFORE INSTALLING DEVICE, PLEASE CHECK:

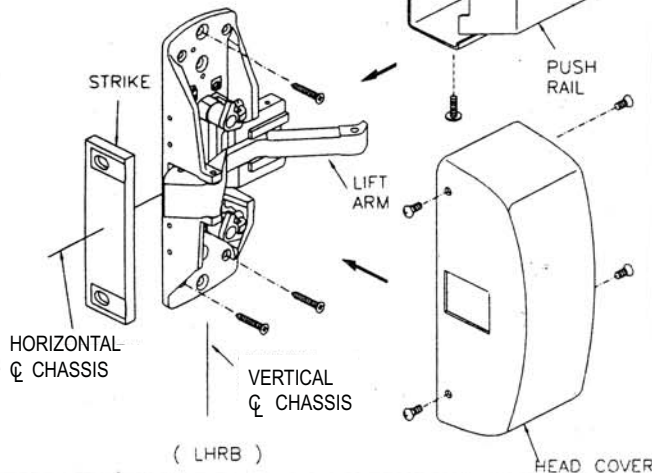
1. IF DOOR FITTED AND HUNG
2. SIZE OF EXIT DEVICE, FUNCTION AND DESIGN...
 - 2.1 36" DEVICES CAN BE CUT TO FIT DOORS DOWN TO 30" WIDE.
 - 2.2 48" DEVICES CAN BE CUT TO FIT DOORS DOWN TO 36"
 - 2.3 HAND OF DEVICE AGAINST APPLICATION



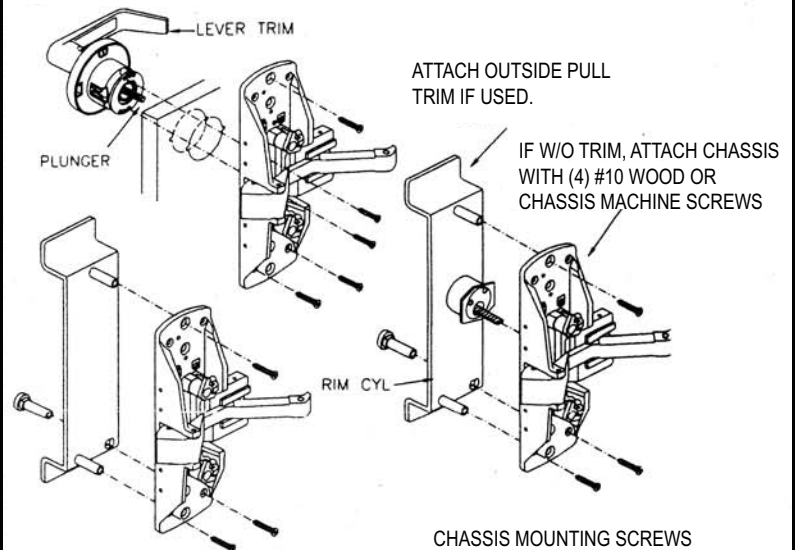
SURFACE OF DOOR FOR EXIT DEVICE APPLIED MUST BE FLUSHED.



CHASSIS ASSEMBLY



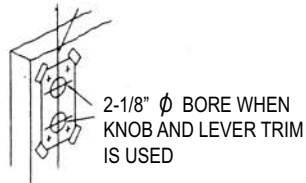
2. APPLY HARDWARE



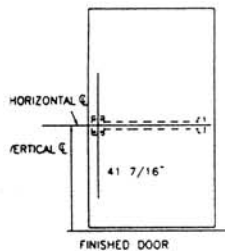
5. PREPARE DOOR

1. FOR 2-1/8" Ø BORE PREP POSITION TEMPLATE OVER EXISTING HOLE AND MARK FOR TWO CHASSIS MOUNTING SCREW HOLES.

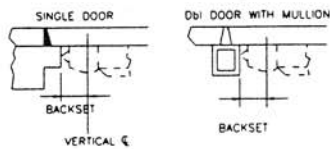
ENSURE VERTICAL Q CHASSIS PARALLEL TO DOOR EDGE.



2. FOR DOOR W/O BORE PREP, MARK VERTICAL Q CHASSIS AND HORIZONTAL Q CHASSIS USING DIMENSIONS BELOW.



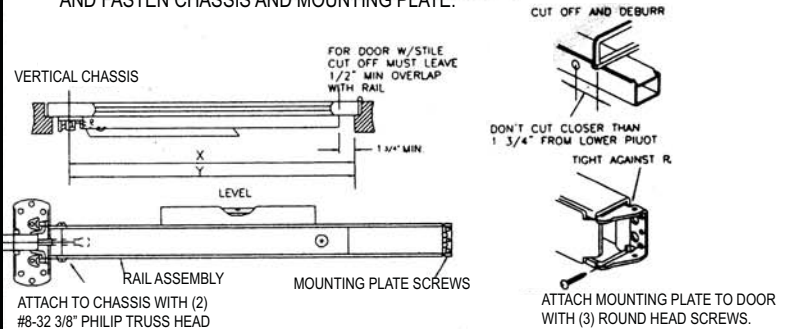
IDENTIFY TYPE OF INSTALLATION TO DETERMINE LOCATION OF VERTICAL Q



- STRIKE FOR BACKSET 2-1/4"
- STRIKE FOR BACKSET 1-1/2"
- STRIKE FOR BACKSET 1-3/4"
- STRIKE FOR BACKSET 2-1/4"

3. APPLY RAIL ASSEMBLY

1. CHECK THE SIZE OF DEVICE, IF CUTTING LENGTH IS REQUIRED.
2. DETERMINE CUT OFF LENGTH "X" BY SUBTRACTING 1-3/4" FROM "Y". MARK CUT OFF POINT ON MOUNTING RAIL.
3. DEPRESS ARM INTO RAIL OPENING AND SLIDE RAIL ONTO CHASSIS. LEVEL RAIL AND FASTEN CHASSIS AND MOUNTING PLATE.



4. APPLY COVER AND STRIKES

