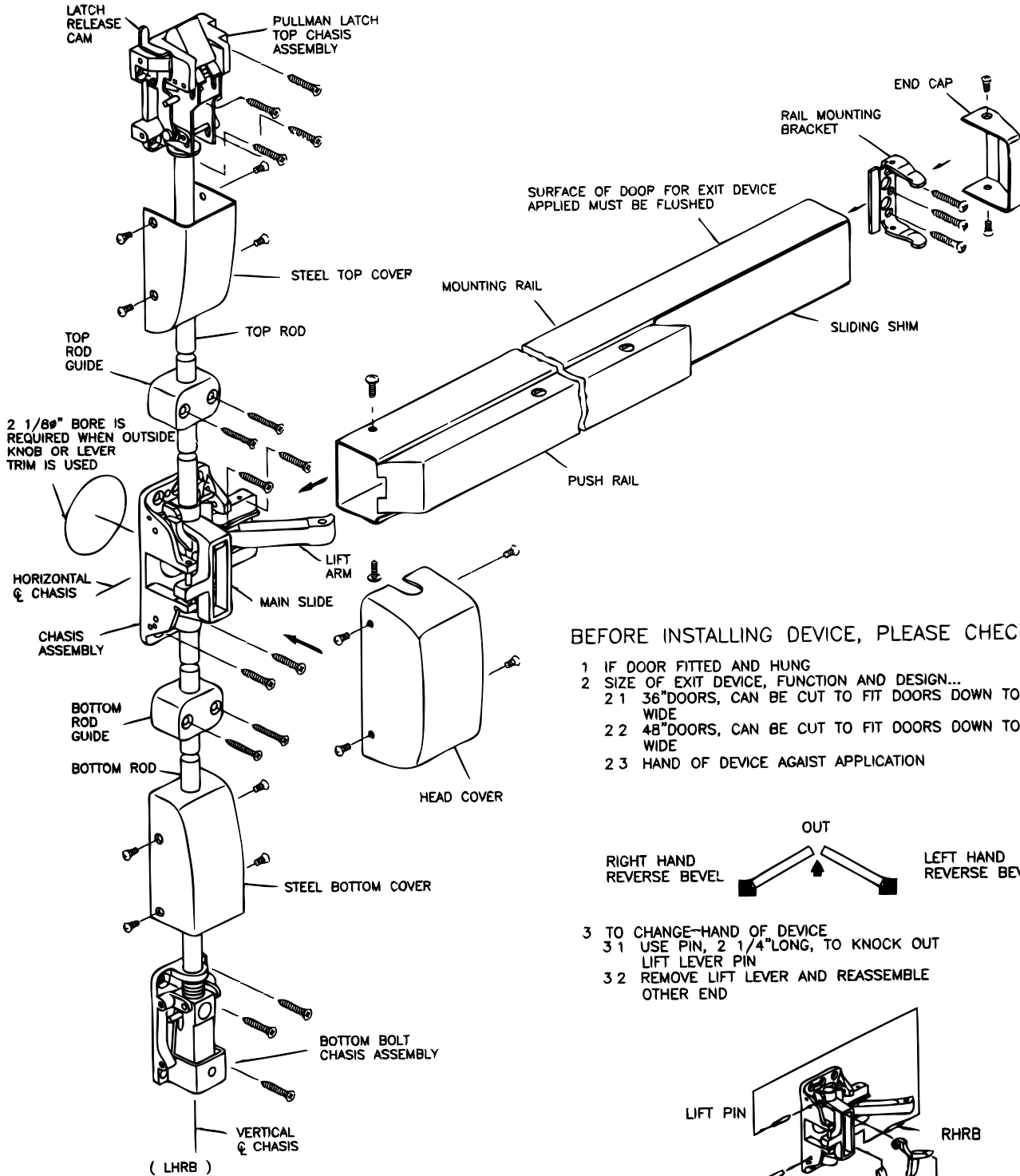
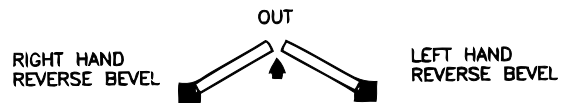


INSTALLATION INSTRUCTION FOR #F2260V SERIES FIRE VERTICAL ROD EXIT DEVICE

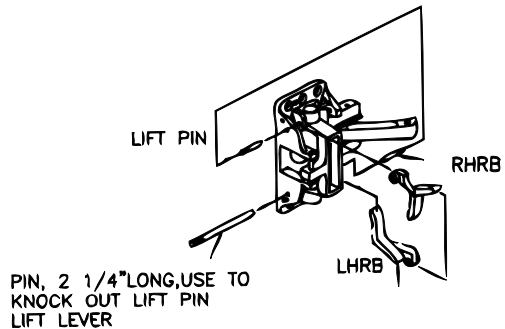


BEFORE INSTALLING DEVICE, PLEASE CHECK:

- 1 IF DOOR FITTED AND HUNG
- 2 SIZE OF EXIT DEVICE, FUNCTION AND DESIGN...
 - 2 1 36" DOORS, CAN BE CUT TO FIT DOORS DOWN TO 30" WIDE
 - 2 2 48" DOORS, CAN BE CUT TO FIT DOORS DOWN TO 36" WIDE
 - 2 3 HAND OF DEVICE AGAINST APPLICATION



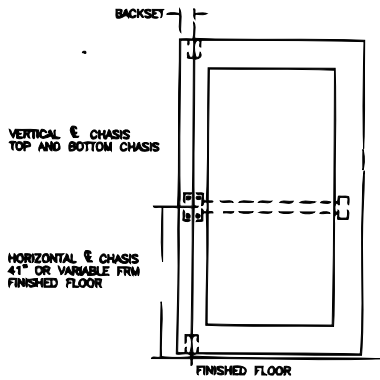
- 3 TO CHANGE-HAND OF DEVICE
 - 3 1 USE PIN, 2 1/4" LONG, TO KNOCK OUT LIFT LEVER PIN
 - 3 2 REMOVE LIFT LEVER AND REASSEMBLE OTHER END



1. MARK VERTICAL AND HORIZONTAL REFERENCE LINE ON DOOR

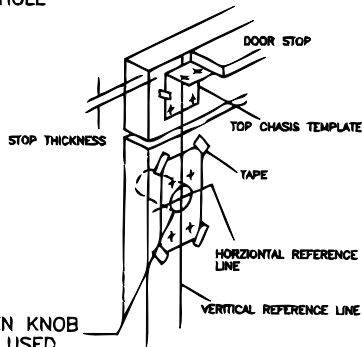
DETERMINE BACKSET TO LOCATE VERTICAL REFERENCE LINE

1. IF LOCK STILE IS 4-1/2" WIDE OR WIDER, BACKSET IS 2-3/4"
2. IF LOCK STILE IS LESS THAN 4-1/2" WIDE, BACKSET IS HALF OF THE EXPOSED WIDTH OF LOCK STILE.



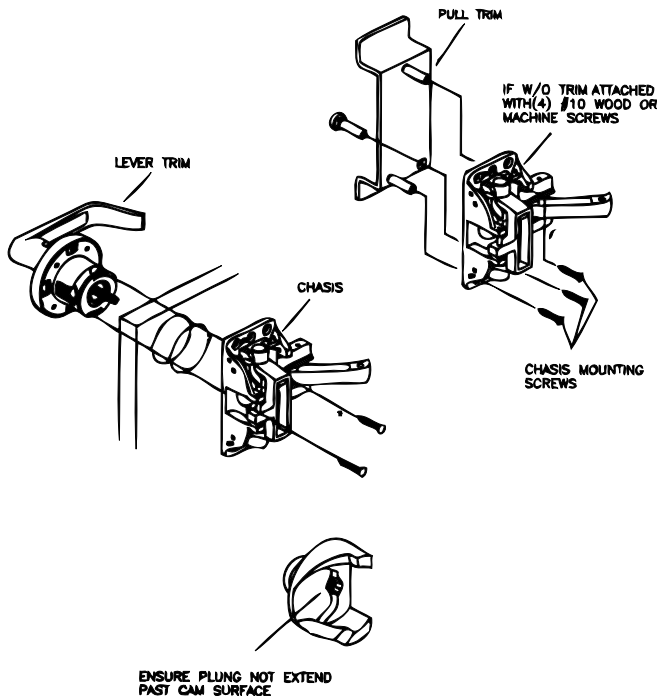
2. PREPARE DOOR

TAPE TEMPLATE ON INSIDE OF DOOR ALONG REFERENCE LINE SPOT AND DRILL HOLE

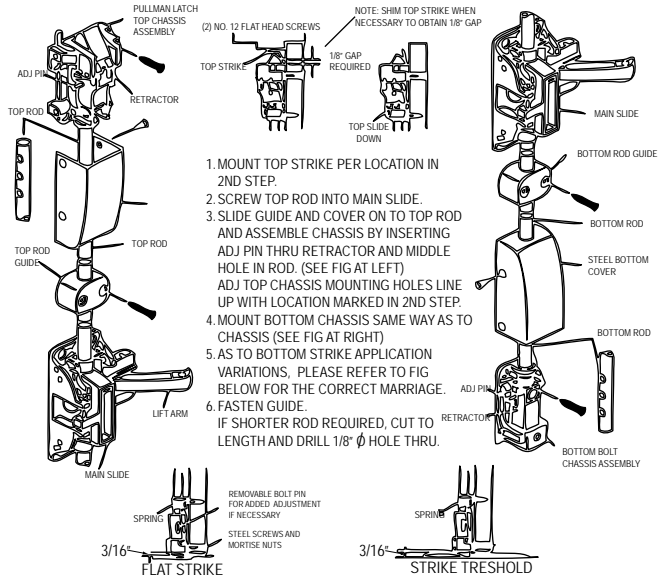


2 1/8" Ø BORE WHEN KNOB AND LEVER TRIM IS USED

3. APPLY TRIM+CHASSIS



4. ATTACH TOP AND BOTTOM CHASSIS



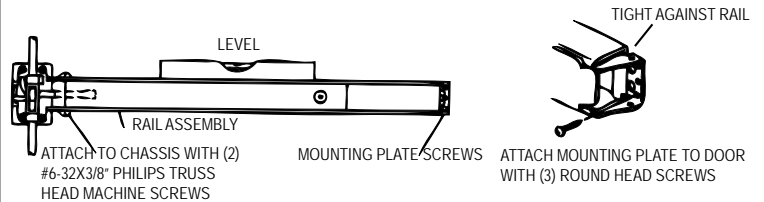
1. MOUNT TOP STRIKE PER LOCATION IN 2ND STEP.
2. SCREW TOP ROD INTO MAIN SLIDE.
3. SLIDE GUIDE AND COVER ON TO TOP ROD AND ASSEMBLE CHASSIS BY INSERTING ADJ PIN THRU RETRACTOR AND MIDDLE HOLE IN ROD. (SEE FIG AT LEFT) ADJ TOP CHASSIS MOUNTING HOLES LINE UP WITH LOCATION MARKED IN 2ND STEP.
4. MOUNT BOTTOM CHASSIS SAME WAY AS TO CHASSIS (SEE FIG AT RIGHT)
5. AS TO BOTTOM STRIKE APPLICATION VARIATIONS, PLEASE REFER TO FIG BELOW FOR THE CORRECT MARRIAGE.
6. FASTEN GUIDE. IF SHORTER ROD REQUIRED, CUT TO LENGTH AND DRILL 1/8" Ø HOLE THRU.

5. APPLY RAIL ASSEMBLY

- 1 CHECK THE SIZE OF DEVICE, IF CUTTING TO LENGTH IS REQUIRED
- 2 DETERMINE CUT OFF LENGTH "X" BY SUBTRACTING 1 3/4" FROM "Y" MARK CUT OFF POINT ON MOUNTING RAIL

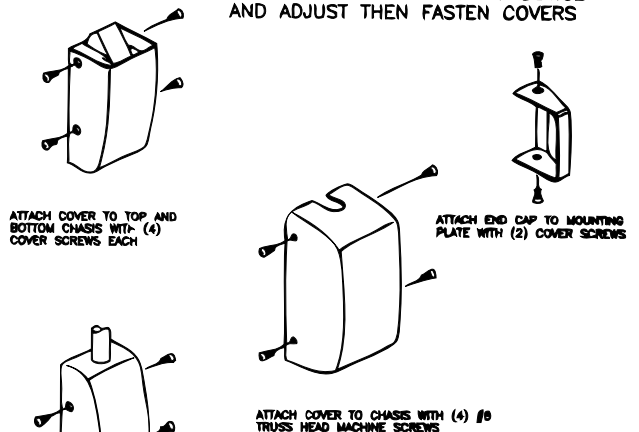


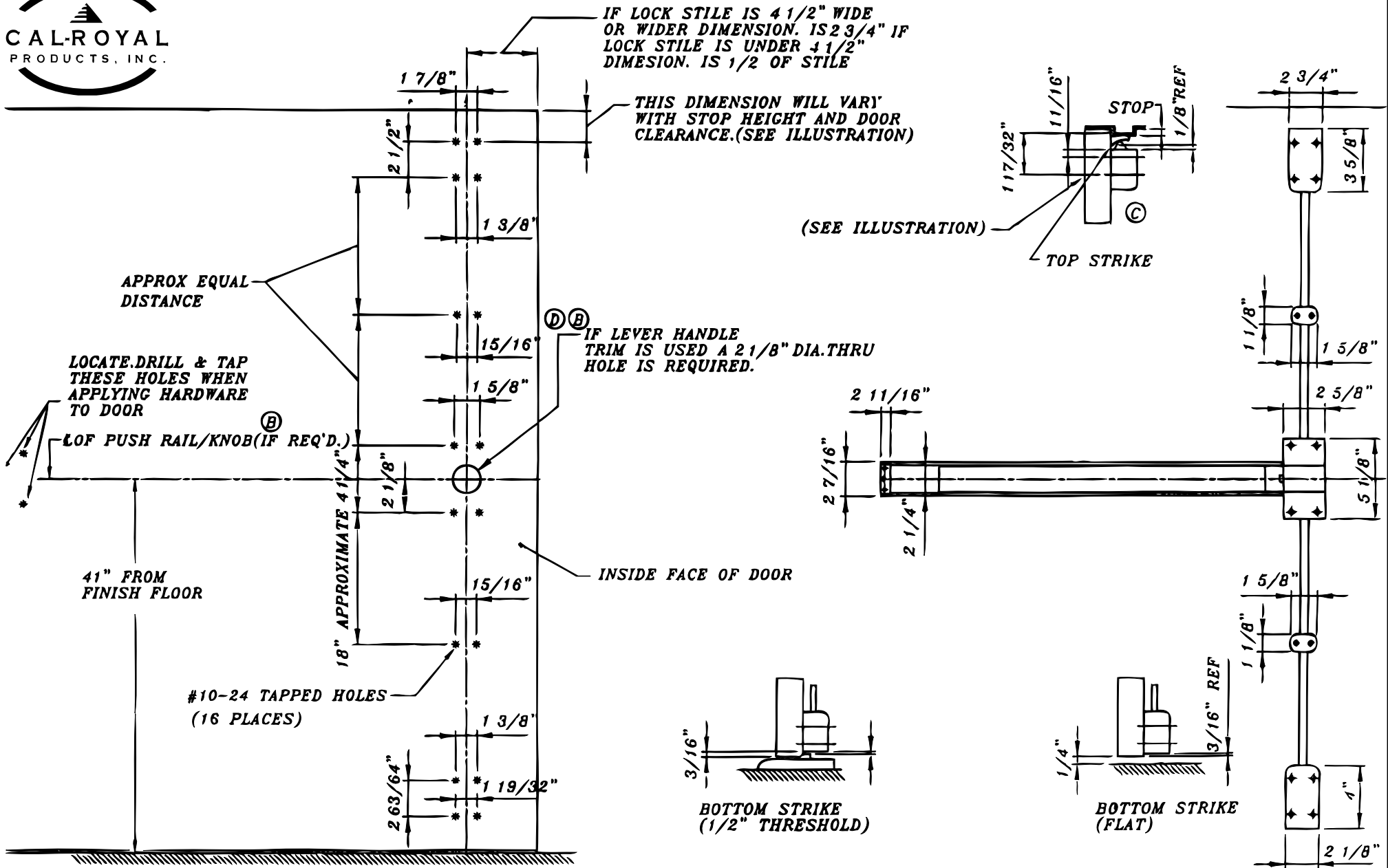
- 3 DREPRESS ARM INTO RAIL OPENING AND SLIDE RAIL ONTO CHASSIS LEVEL RAIL AND FASSTEN CHASSIS AND MOUNTING PLATE



6. APPLY COVER

CHECK FINAL OPERATION OF DEVICE AND ADJUST THEN FASTEN COVERS





**SURFACE OF DOOR WHERE EXIT DEVICE IS TO BE APPLIED MUST BE FLUSH
SEE MASTER SHEET FOR AREAS REQUIRING REINFORCEMENTS
SEE STRIKE TEMPLATE FOR TOP AND BOTTOM STRIKES.
WE RECOMMEND THAT ALL TAPPED HOLES BE DRILLED & TAPPED IN FIELD
TOLERANCE ON ALL DIMENSIONS ± 1/64"**

F2260