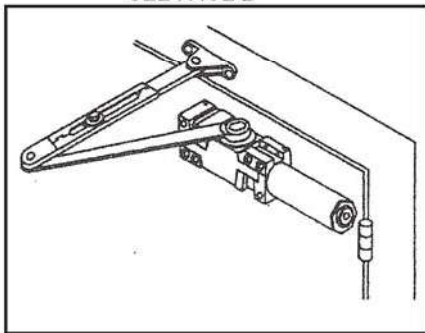




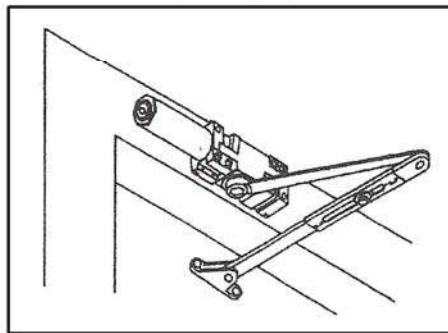
**DOOR CLOSER
CR441 SERIES
DELAYED ACTION**

INSTALLATION INSTRUCTIONS

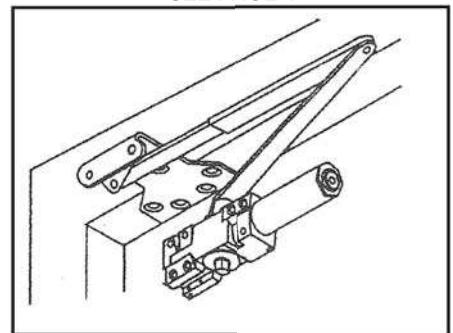
**STANDARD MOUNT
(PULL SIDE)
SEE PAGE 2**



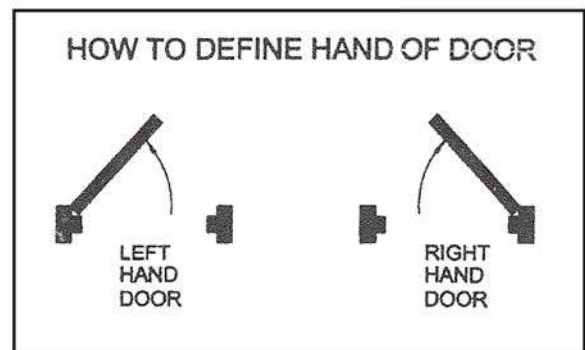
**TOP JAMB MOUNT
(PUSH SIDE)
SEE PAGE 3**



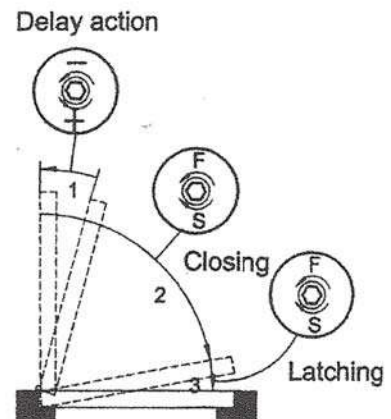
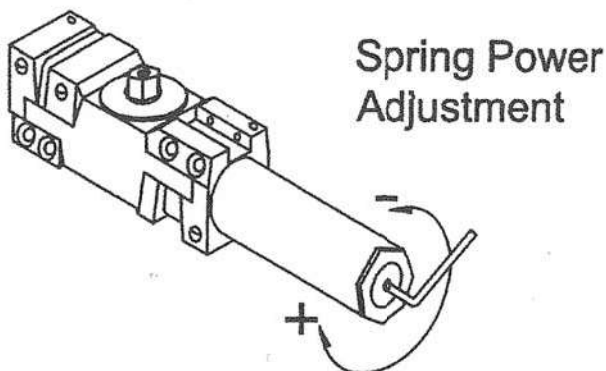
**PARALLEL MOUNT
(PUSH SIDE)
SEE PAGE 4**



MAXIMUM DOOR WIDTH		FULL TURNS REQUIRED
EXTERIOR DOORS	INTERIOR DOORS	
—	5 lb-ft*	5 TURNS C.C.W.
8.5 lb-ft*	34" (864)	2 TURNS C.C.W.
30" (762)	38" (962)	0 TURNS
36" (914)	48" (1219)	5 TURNS C.W.
42" (1067)	54" (1372)	10 TURNS C.W.
48" (1219)	60" (1524)	15 TURNS C.W.



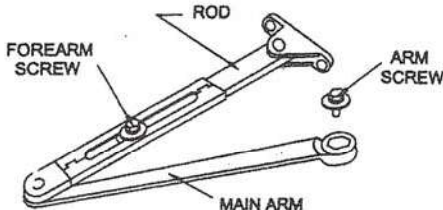
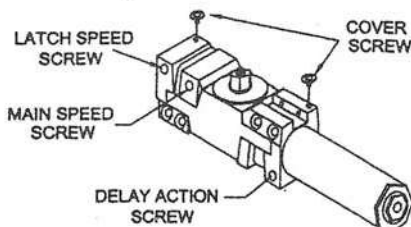
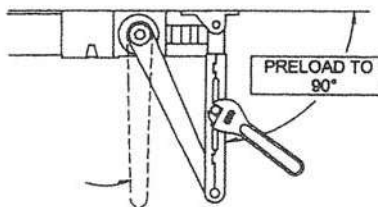
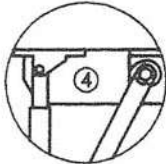
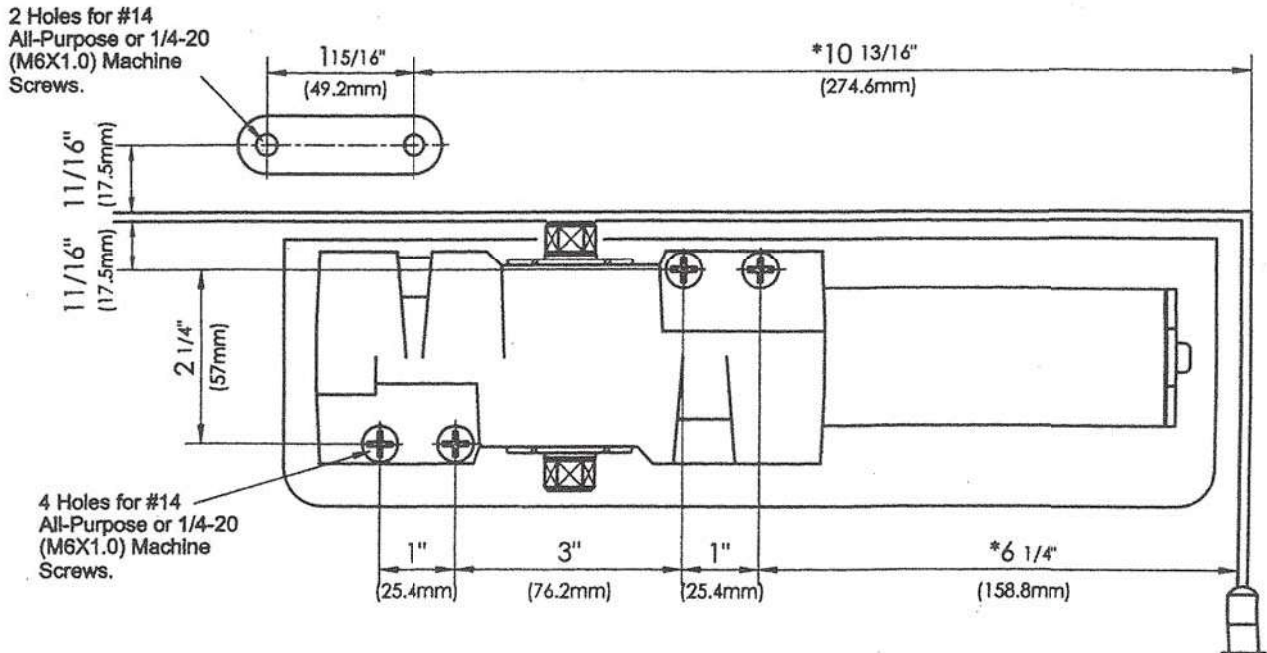
CONTROL RANGE



STANDARD INSTALLATION

CLOSER MOUNTED ON DOOR - PULL SIDE

Illustration shows LEFT HAND DOOR configuration. For RIGHT HAND DOOR do the reverse.



1. Adjust spring power to match door width as indicated by chart on page 1.
2. Mount closer on door as dimensions shown. Tube end toward hinge. If pivots are used, locate closer and shoe from CENTERLINE OF PIVOT. (For offset pivots, pls increase the marked dimensions by 1/8")
3. Place main arm on top of shaft, 100° to closer body, insert arm screw into top of shaft and tighten.
4. Attach shoe to frame as shown. (if more latching power is required, rotate shoe 180°)
5. Open door and insert rod in forearm.
6. With forearm at right angle to door (90°), insert forearm set screw and tighten. (IF HOLD OPEN ARM IS USED, THE NUT IS ON THE TOP FOR RH DOOR AND BOTTOM FOR LH DOOR)

REGULATING DELAY ACTION TIME:

Closing is regulated for approximately 20 seconds delay time. If necessary to decrease delay time of door, use a regular screwdriver and turn delay action screw (slotted head screw) counter clockwise A FEW DEGREES AT A TIME. To increase delaying time of door, turn delayed action screw clockwise A FEW DEGREES AT A TIME.

REGULATION

Do not allow door to slam into frame. A "Normal" closing time 90° open position is from 4-6 seconds, evenly divided between main swing speed and latch swing speed. Use socket key (furnished) to adjust speed. To slow main swing speed of door, turn regulating screw nearest shaft clockwise. To slow latch speed, turn regulating screw nearest latch clockwise.

COVER

Place insert in proper cutout, then push cover against door. Tighten both cover screw securely.

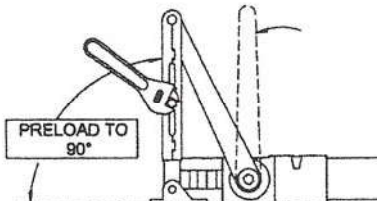
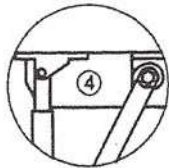
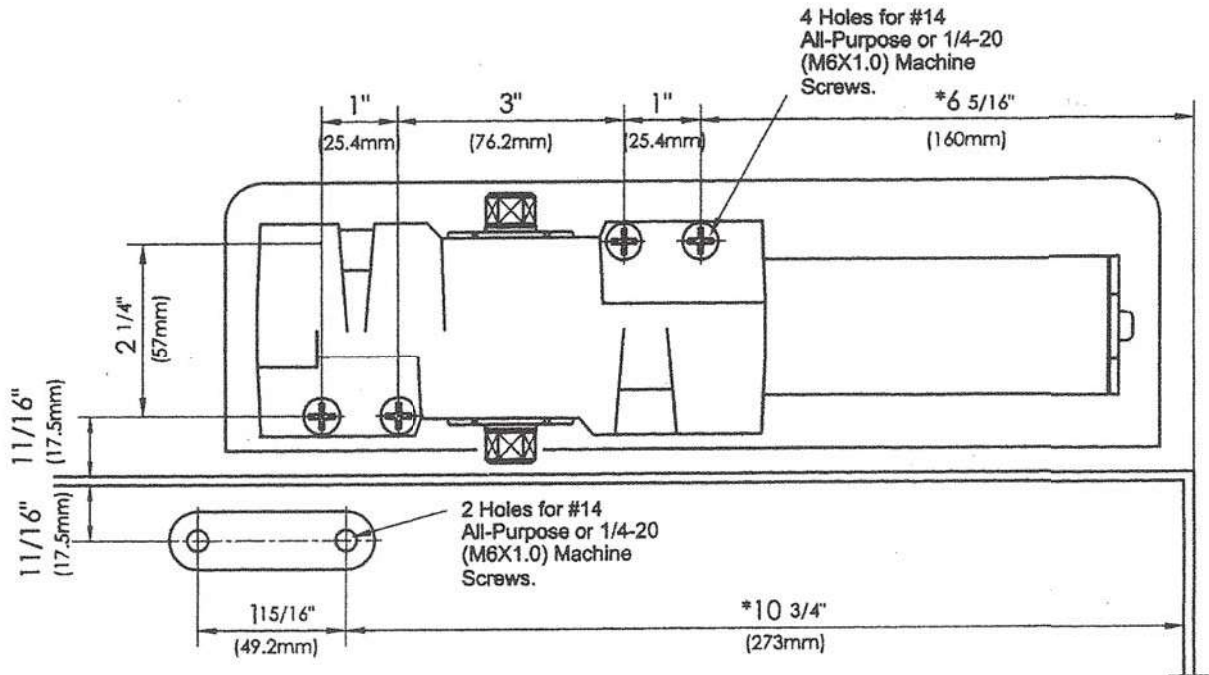
HOLD OPEN ADJUSTMENT (when hold open arm is used)

Loose adjusting nut, open door to desired hold open position and tighten nut. Do not permit door to swing beyond hold open setting.

TOP JAMB INSTALLATION

CLOSER MOUNTED ON JAMB - PUSH SIDE

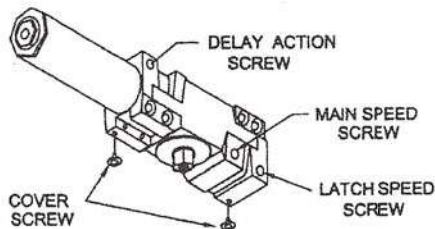
Illustration shows RIGHT HAND DOOR configuration. For LEFT HAND DOOR do the reverse.



1. Adjust spring power to match door width as indicated by chart on page 1.
2. Mount closer on frame as dimension shown. Tube end toward hinge. If pivots are used, locate closer and shoe from CENTERLINE OF PIVOT. (For offset pivots, pls increase the marked dimensions by 1/8")
3. Place main arm on top of shaft 100° to closer body, insert arm screw into top of shaft and tighten.
4. Attach shoe to door as shown. (if more latching power is required, rotate shoe 180°)
5. Open door and insert rod in forearm—for reveal 2 5/8" through 4 13/16" use long rod. For reveals 4 7/8" to 8" use FOREARM EXTENDER (ROD)—available from dealer.
6. With forearm at right angle to door (90°), insert forearm set screw and tighten. (IF HOLD OPEN ARM IS USED, THE NUT IS ON THE BOTTOM FOR RH DOOR AND TOP FOR LH DOOR)

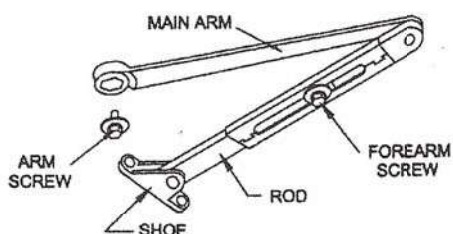
REGULATING DELAY ACTION TIME:

Closing is regulated for approximately 20 seconds delay time. If necessary to decrease delay time of door, use a regular screwdriver and turn delay action screw (slotted head screw) counter clockwise A FEW DEGREES AT A TIME. To increase delaying time of door, turn delayed action screw clockwise A FEW DEGREES AT A TIME.



REGULATION

Do not allow door to slam into frame. A "Normal" closing time 90° open position is from 4-6 seconds, evenly divided between main swing speed and latch swing speed. Use socket key (furnished) to adjust speed. To slow main swing speed of door, turn regulating screw nearest shaft clockwise. To slow latch speed, turn regulating screw nearest latch clockwise.



COVER

Place insert in proper cutout, then push cover against frame. Tighten both cover screw securely.

HOLD OPEN ADJUSTMENT (when hold open arm is used)

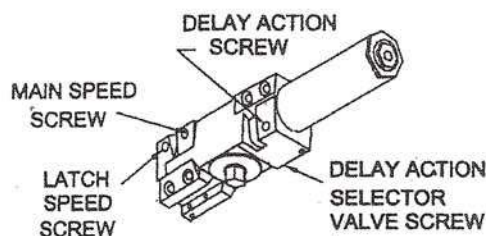
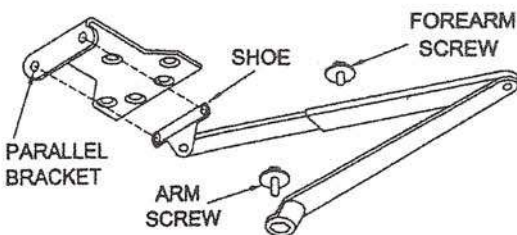
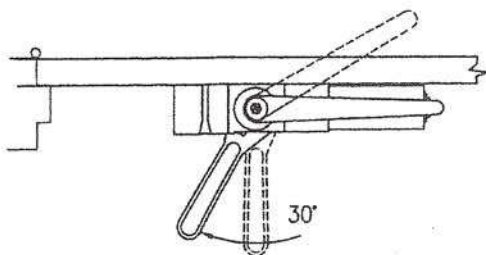
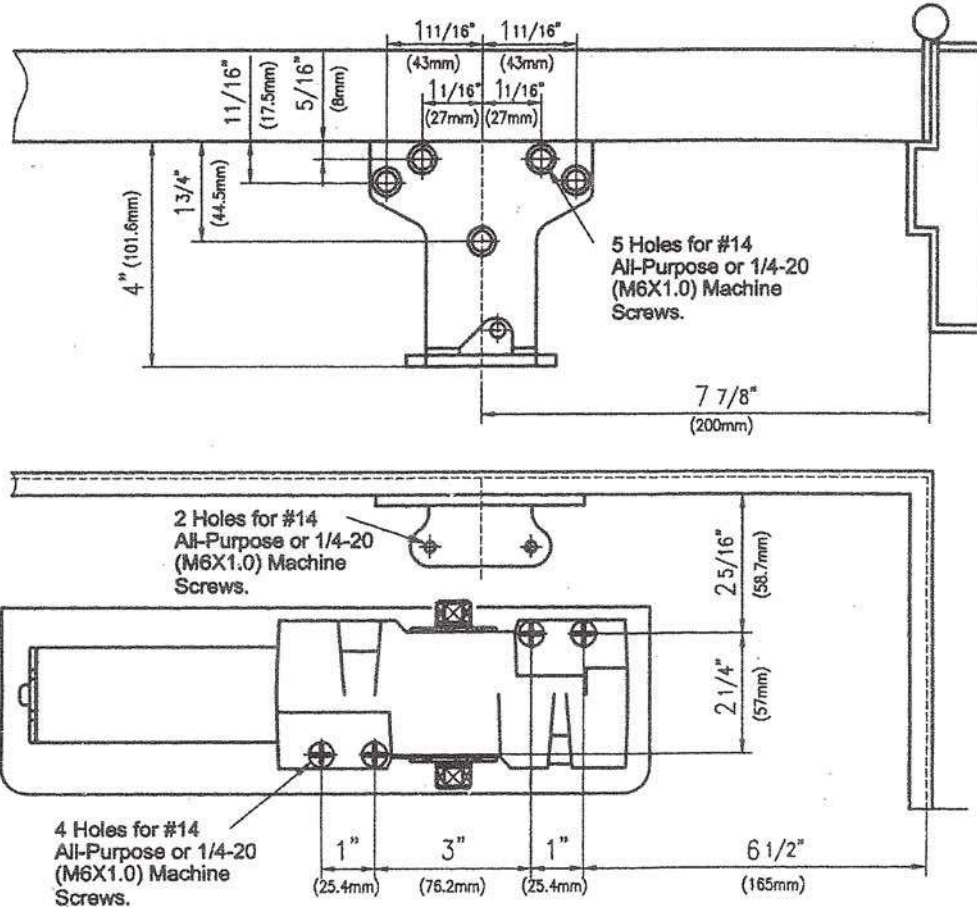
Loose adjusting nut, open door to desired hold open position and tighten nut. Do not permit door to swing beyond hold open setting.

PARALLEL ARM INSTALLATION

CLOSER MOUNTED ON DOOR - PUSH SIDE



Illustration shows RIGHT HAND DOOR configuration. For LEFT HAND DOOR do the reverse.



1. Before installation, turn Back Check selector valve (found on the opposite side of closer from back check screw side) ALL THE WAY IN (CLOCKWISE).
 2. Adjust spring power to match door width as indicated by chart on page 1.
 3. Mount closer on door as dimensions shown. Tube end toward latch. If pivots are used, locate closer and parallel bracket from CENTERLINE OF PIVOT.
 4. Place open end wrench on bottom shaft and turn toward hinge jamb about 30° and then place main arm on top shaft, insert arm screw into top of shaft and tighten.
 5. Attach parallel bracket on frame as dimensions shown.
 6. Attach rod and shoe to parallel bracket as shown.
 7. Insert rod in forearm, and then insert main arm to closer parallel to door. Then insert forearm set screw and tighten.
- (IF HOLD OPEN ARM IS USED, THE NUT IS ON THE TOP FOR RH DOOR AND BOTTOM FOR LH DOOR)

REGULATING DELAY ACTION TIME:

Closing is regulated for approximately 20 seconds delay time. If necessary to decrease delay time of door, use a regular screwdriver and turn delay action screw (slotted head screw) counter clockwise A FEW DEGREES AT A TIME. To increase delaying time of door, turn delayed action screw clockwise A FEW DEGREES AT A TIME.

REGULATION

Do not allow door to slam into frame. A "Normal" closing time 90° open position is from 4-6 seconds, evenly divided between main swing speed and latch swing speed. Use socket key (furnished) to adjust speed. To slow main swing speed of door, turn regulating screw nearest shaft clockwise. To slow latch speed, turn regulating screw nearest hinge clockwise.

COVER

Place insert in proper cutout, then push cover against door. Tighten both cover screw securely.

HOLD OPEN ADJUSTMENT (when hold open arm is used)

Loose adjusting nut, open door to desired hold open position and tighten nut. Do not permit door to swing beyond hold open setting.