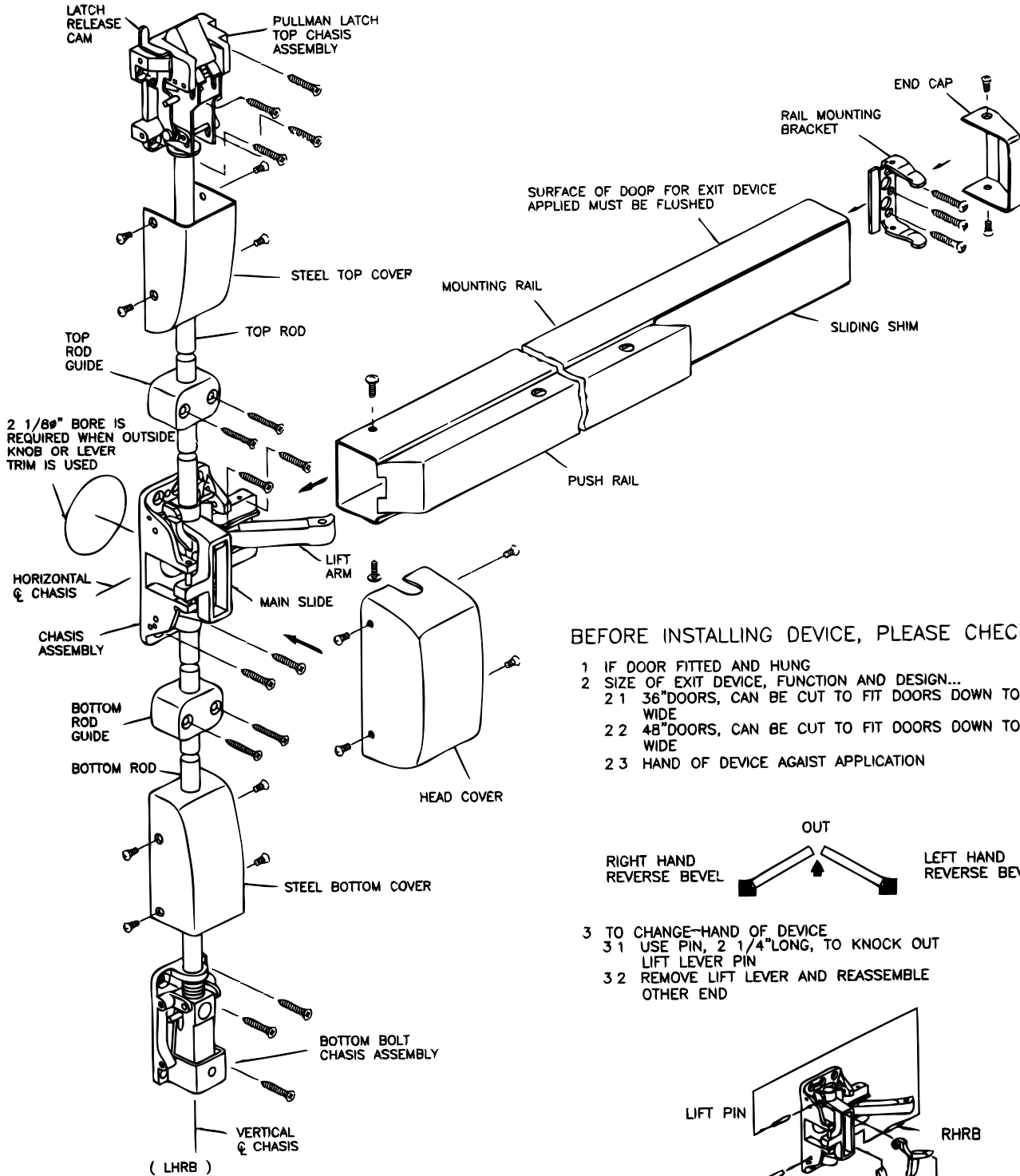
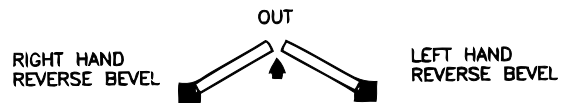


INSTALLATION INSTRUCTION FOR #2260V SERIES FIRE VERTICAL ROD EXIT DEVICE

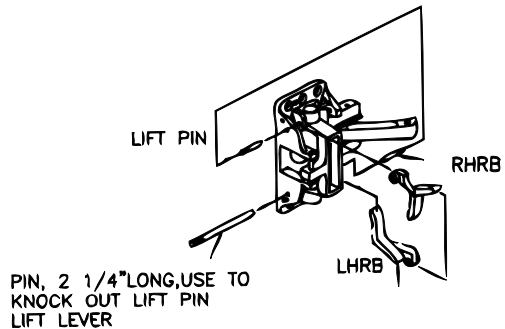


BEFORE INSTALLING DEVICE, PLEASE CHECK:

- 1 IF DOOR FITTED AND HUNG
- 2 SIZE OF EXIT DEVICE, FUNCTION AND DESIGN...
 - 2 1 36" DOORS, CAN BE CUT TO FIT DOORS DOWN TO 30" WIDE
 - 2 2 48" DOORS, CAN BE CUT TO FIT DOORS DOWN TO 36" WIDE
 - 2 3 HAND OF DEVICE AGAINST APPLICATION



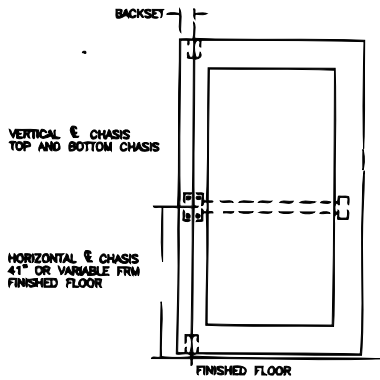
- 3 TO CHANGE-HAND OF DEVICE
 - 3 1 USE PIN, 2 1/4" LONG, TO KNOCK OUT LIFT LEVER PIN
 - 3 2 REMOVE LIFT LEVER AND REASSEMBLE OTHER END



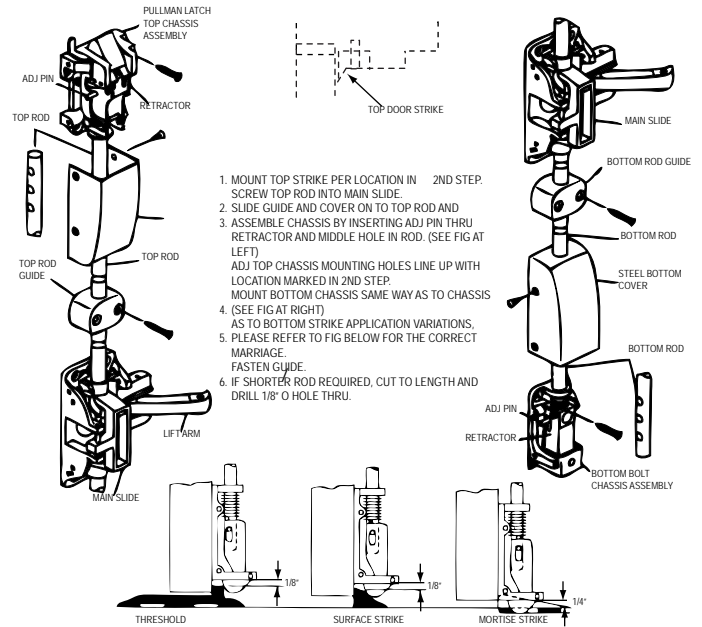
1. MARK VERTICAL AND HORIZONTAL REFERENCE LINE ON DOOR

DETERMINE BACKSET TO LOCATE VERTICAL REFERENCE LINE

- 1 IF LOCK STILE IS 4 1/2" WIDE OR WIDER, BACKSET IS 2 3/4"
- 2 IF LOCK STILE IS LESS THAN 4 1/2" WIDE, BACKSET IS HALF OF THE EXPOSED WIDTH OF LOCK STILE

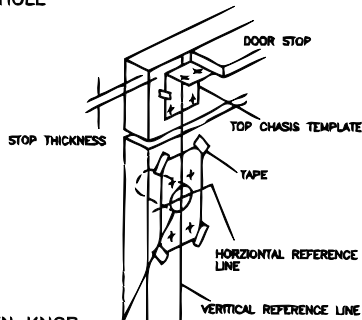


ATTACH TOP AND BOTTOM CHASSIS



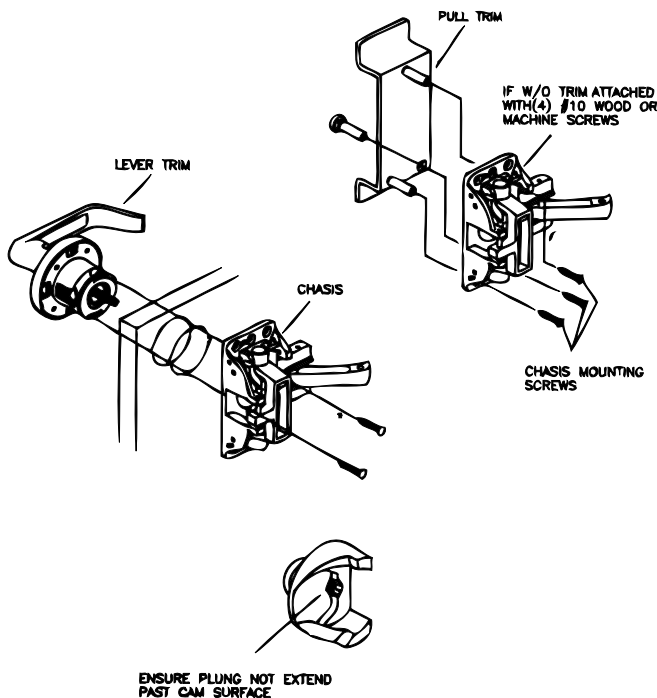
2. PREPARE DOOR

TAPE TEMPLATE ON INSIDE OF DOOR ALONG REFERENCE LINE SPOT AND DRILL HOLE



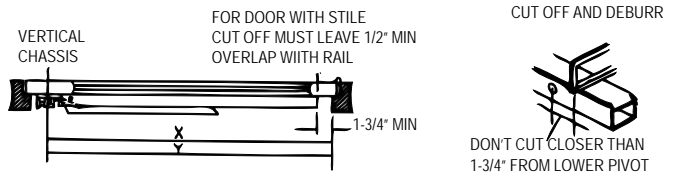
2 1/8" Ø BORE WHEN KNOB AND LEVER TRIM IS USED

3. APPLY TRIM+CHASSIS

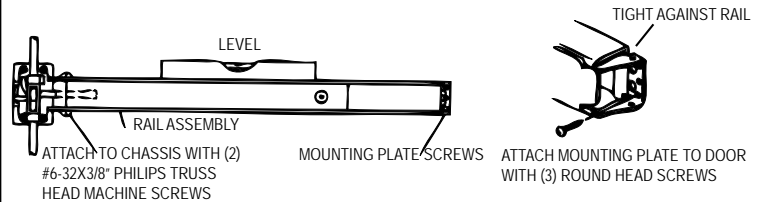


5. APPLY RAIL ASSEMBLY

- 1 CHECK THE SIZE OF DEVICE, IF CUTTING TO LENGTH IS REQUIRED
- 2 DETERMINE CUT OFF LENGTH "X" BY SUBTRACTING 1 3/4" FROM "Y" MARK CUT OFF POINT ON MOUNTING RAIL

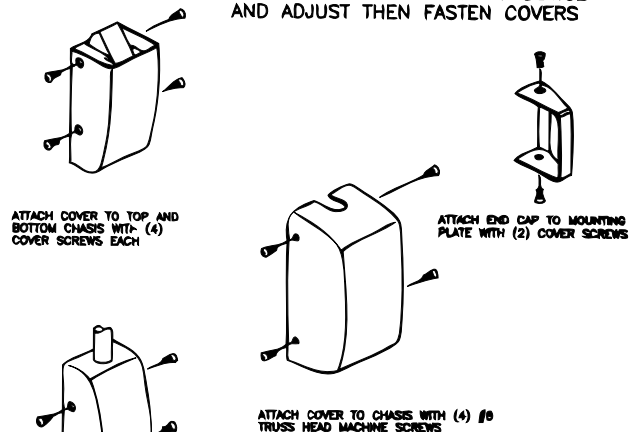


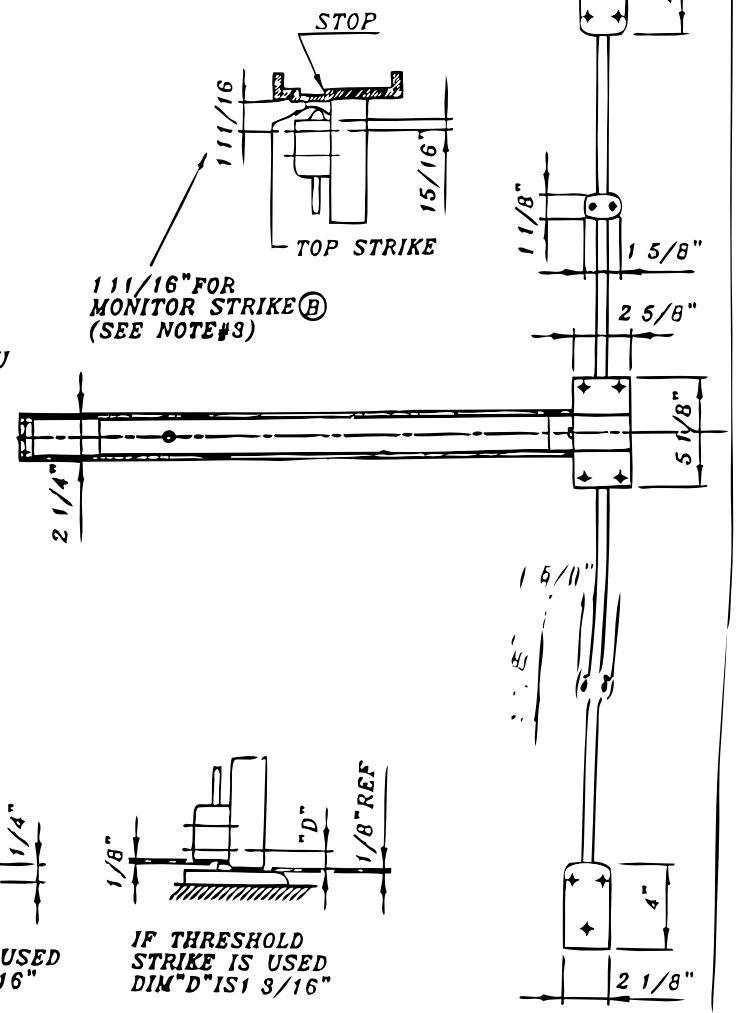
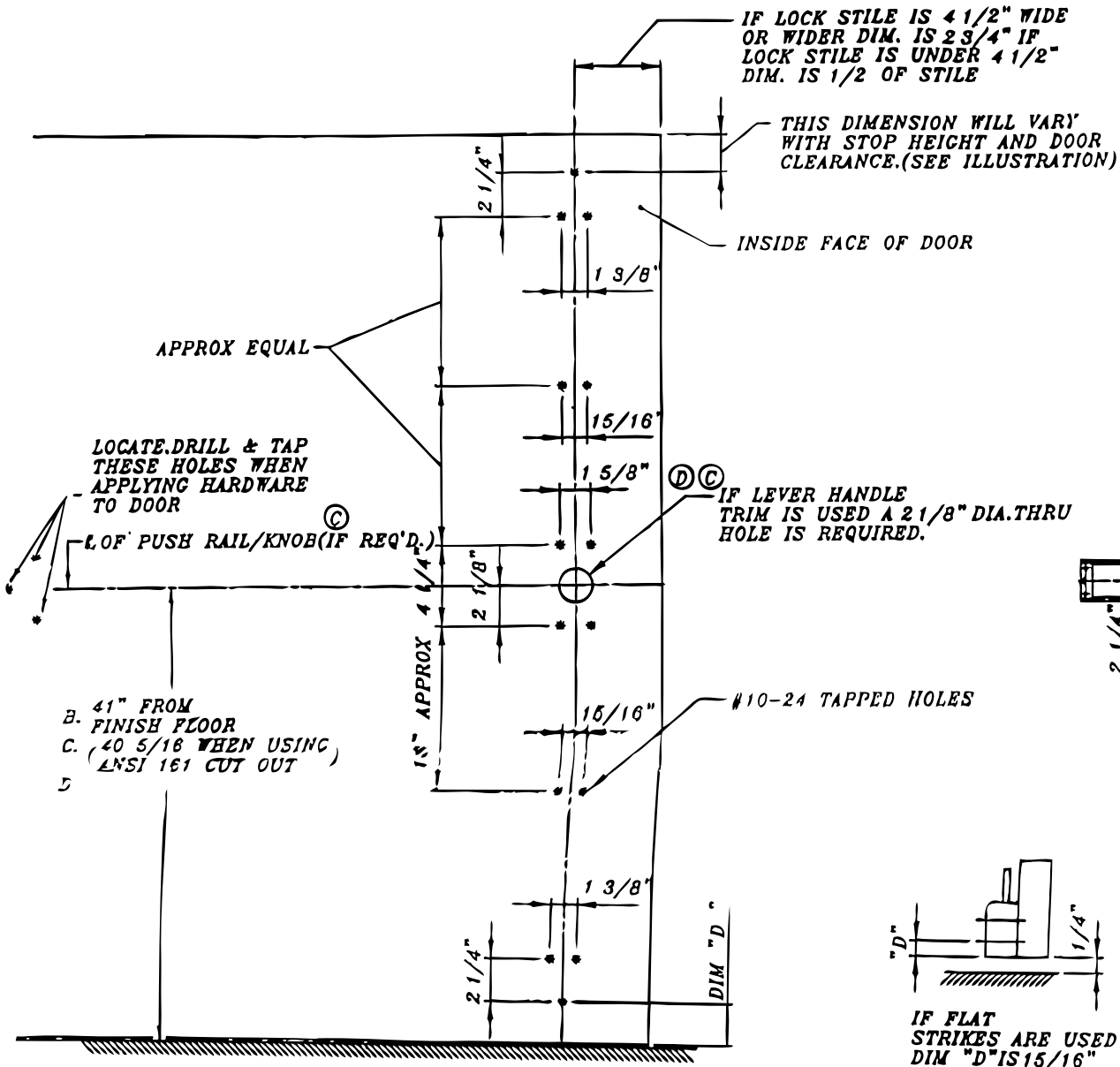
- 3 DREPRESS ARM INTO RAIL OPENING AND SLIDE RAIL ONTO CHASSIS LEVEL RAIL AND FASSTEN CHASSIS AND MOUNTING PLATE



6. APPLY COVER

CHECK FINAL OPERATION OF DEVICE AND ADJUST THEN FASTEN COVERS





B. 41" FROM FINISH FLOOR
 C. ±0 5/16 WHEN USING ANSI 161 CUT OUT

SURFACE OF DOOR WHERE EXIT DEVICE IS TO BE APPLIED MUST BE FLUSH
 SEE MASTER SHEET FOR AREAS REQUIRING REINFORCEMENTS
 SEE STRIKE TEMPLATE (TOP), (BOTTOM) STRIKES.
 FOR MONITOR STRIKE SEE TEMPLATE.
 WE RECOMMEND THAT ALL TAPPED HOLES BE DRILLED & TAPPED IN FIELD
 TOLERANCE ON ALL DIMENSIONS ± 1/64"

2260V/2290V/2280V