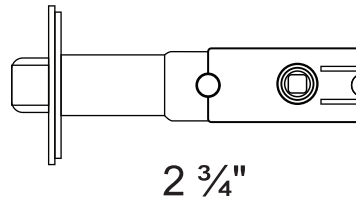
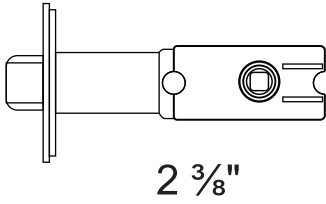




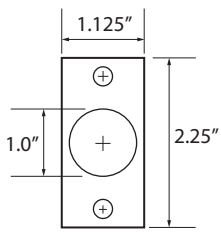
# INDLEV-20 INDICATOR PRIVACY LEVER LOCK

## Installation Instructions & Template

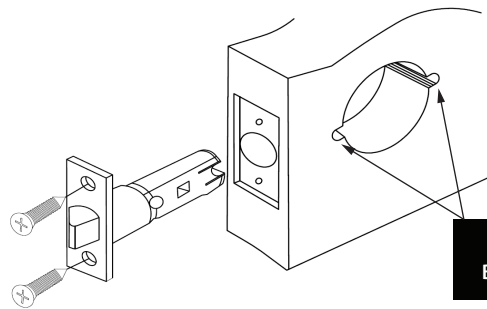
Step 1: Choose Latch backset per requirement, 2-<sup>3</sup>/<sub>8</sub>" or 2-<sup>3</sup>/<sub>4</sub>"



Step 2: Prep Install latch to the door, Optional 1" or 1<sup>1</sup>/<sub>8</sub>" width, Use Plastic filler plate if the door face plate width is 1 <sup>1</sup>/<sub>8</sub>" other wise remove filler for 1" face plate width.



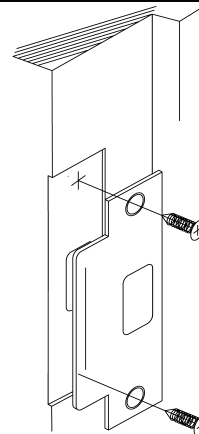
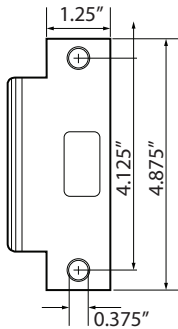
Plastic Filler



PREPARE NOTCHES ON BOTH SIDES OF THE DOOR

Step 3: Install ASA478 strikes

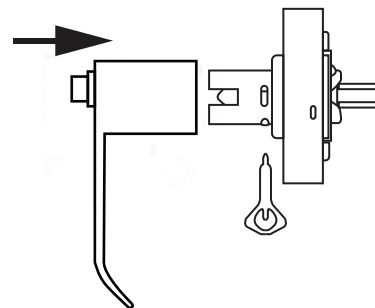
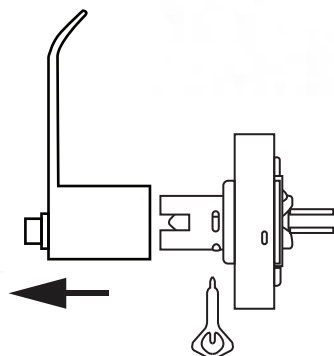
ANSI ASA STRIKE



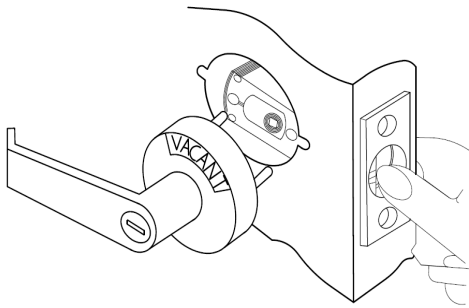
Install strike directly to the jamb

Step 4: Determine if the lockset has the correct handing.

To reverse the handing, remove the outside Lever, turn it 180°, then insert it back.

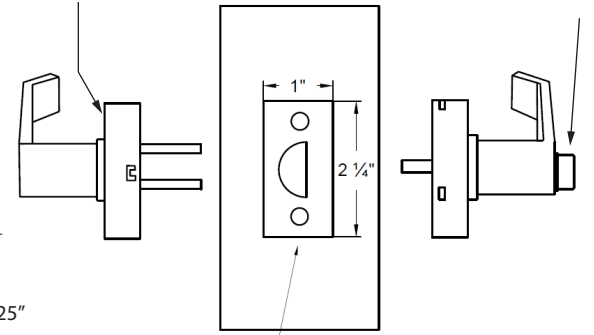
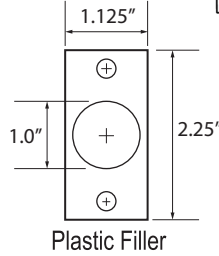


Step 5: Install outside mechanism first. Make sure that the outside mechanism is in the "VACANT" position, and the inside mechanism is in the "UNLOCK" position.

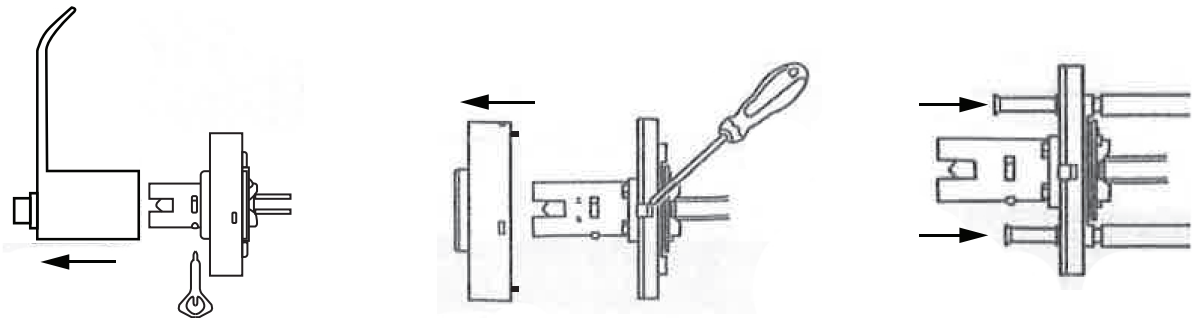


VACANT

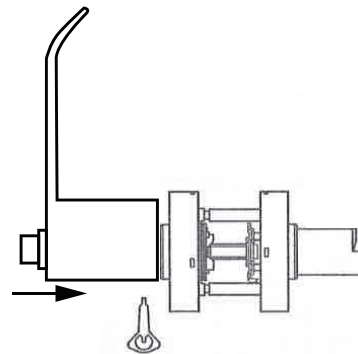
UNLOCK



Step 6: Remove the Lever and the Rose cover of the inside mechanism. Fasten the screws tightly.



Step 7: Replace back the Rose cover and the Lever.



1 FOLD HERE ON DOOR EDGE

2 MARK FOR 1-3/4" (45mm) DOOR

MARK FOR 1-3/8" (35mm) DOOR

3 DRILL 1" (25mm) HOLE ON CENTER OF DOOR EDGE

PLACE TEMPLATE ON HIGH EDGE OF DOOR BEVEL

2-3/8"

2-3/4"

4 MARK CENTER OF HOLE ON DOOR FACE

5 DRILL 2-1/8" (54mm) HOLE

1/8"

1/8"

SCALE: 1:1  
IF PRINTED TO SIZE