

# Trim Selection



## PULL DESIGN

- 7700 NL
- IC7700NL
- ICSC7700NL

### FOR RIM DEVICES ONLY

Outside by pull and key.  
Key retracts latch bolt.  
ANSI function (03)  
Covers 161 cutout

### KEYWAY

Standard 6-Pin solid brass "C" keyway Rim Cylinder included.

### FINISHES

Architectural plated finishes.



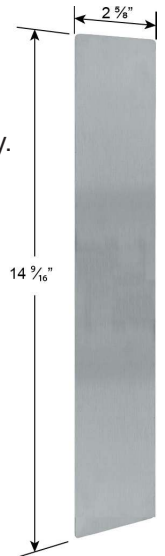
### 7700 DTP

Outside by pull only.  
Pull when dogged.  
ANSI function (02)  
Covers 161 cutout.



### 7700 EOP

Outside by plate only.  
ANSI function (01)  
Covers 161 cutout



- 77TP00 or
- IC77TP00
- ICSC77TP00

### ENTRANCE

Key locks or unlocks thumbpiece.  
(Operates as classroom function)  
ANSI Function (05)

- 77TP05 or
- IC77TP05
- ICSC77TP05

### STOREROOM

Key unlocks thumbpiece, thumbpiece retracts latch bolt, otherwise always locked.  
ANSI Function (06)

### 77TP30

### PASSAGE

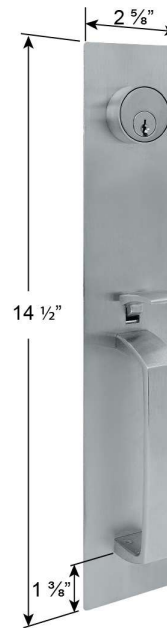
Trim always operable and free.  
ANSI Function (15)

### 77TP40

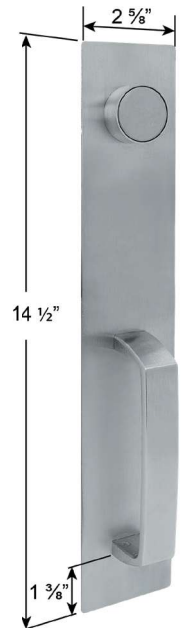
### DUMMY

Dummy trim. **Includes blank Mortise dummy cylinder.** One sided.  
ANSI Function (02)

### KEYED



### DUMMY



**KEYWAY:** 6-Pin solid brass "C" keyway Mortise Cylinder standard. Optional: Schlage E, Schlage C-K, Russwin D1-2-3-4, Corbin 59/60, Sargent LA-LB-LC, Falcon/Weiser E, Arrow A, Yale 8, Yale GA and Kwikset. Can also accept Medeco, Assa, Kaba and **Cal-Royal HSK** High Security Cylinders.

### ● (IC) INTERCHANGEABLE CORE

Interchangeable Core locks will accept compatible 6 or 7-Pin cores with BEST, FALCON and ARROW.

- (ICSC) INTERCHANGEABLE CORE: Indicates function available with **Schlage Full Size Format** Interchangeable Core. Corbin, Sargent and Yale format also available.

### FINISHES

Architectural plated finishes.

# Trim Selection

## PULL DESIGN



**9800 NL**  
**IC9800NL**  
**ICSC9800NL**

**FOR RIM DEVICES ONLY**

Outside by pull and key.  
Key retracts latch bolt.  
ANSI function (03)  
Covers 161 cutout

**KEYWAY**

Standard 6-Pin solid brass "C"  
keyway Rim Cylinder included.

**FINISHES**

Architectural plated finishes.



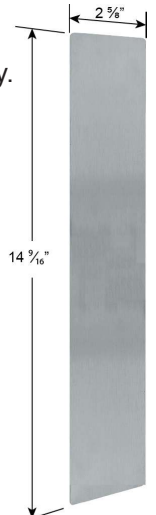
**9800 DTP**

Outside by pull only.  
Pull when dogged.  
ANSI function (02)  
Covers 161 cutout.



**9800 EOP**

Outside by plate only.  
ANSI function (01)  
Covers 161 cutout



## THUMBPIECE TRIM (OPERATES ON RIM & VERTICAL ROD DEVICES)

**98TP-00 or**  
● **IC98TP00**  
● **ICSC98TP00**

**ENTRANCE**

Key locks or unlocks thumbpiece.  
(Operates as classroom function)  
ANSI Function (05)

**98TP-05 or**  
● **IC98TP05**  
● **ICSC98TP05**

**STOREROOM**

Key unlocks thumbpiece, thumbpiece retracts  
latch bolt, otherwise always locked.  
ANSI Function (06)

**98TP-30**

**PASSAGE**

Trim always operable and free.  
ANSI Function (15)

**98TP-40**

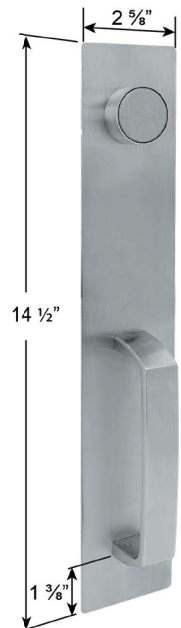
**DUMMY**

Dummy trim. **Includes blank Mortise  
dummy cylinder.** One sided.  
ANSI Function (02)

**KEYED**



**DUMMY**



**KEYWAY:** 6-Pin solid brass "C" keyway Mortise Cylinder standard. Optional: Schlage E, Schlage C-K, Russwin D1-2-3-4, Corbin 59/60, Sargent LA-LB-LC, Falcon/Weiser E, Arrow A, Yale 8, Yale GA and Kwikset. Can also accept Medeco, Assa, Kaba and **Cal-Royal HSK** High Security Cylinders.

● **(IC) INTERCHANGEABLE CORE**

Interchangeable Core locks will accept compatible 6 or 7-Pin cores with BEST, FALCON and ARROW.

● **(ICSC) INTERCHANGEABLE CORE:** Indicates function available with **Schlage Full Size Format** Interchangeable Core. Corbin, Sargent and Yale format also available.

**FINISHES**

Architectural plated finishes.

# Trim Selection

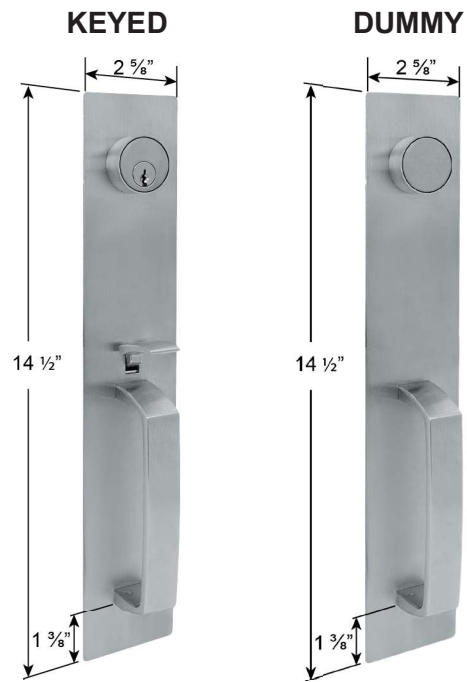
## PULL DESIGN



|   |  |   |  |  |  |   |  |   |  |
|---|--|---|--|--|--|---|--|---|--|
| <p><b>2200PULNL</b><br/><b>IC2200PULNL</b><br/><b>ICSC2200PULNL</b></p> <p>FOR RIM DEVICES ONLY<br/>Outside by pull and key.<br/>Key retracts latch bolt.<br/>ANSI Function (03).<br/>Covers 161 cutout.<br/>Standard Rim Cylinder<br/>available in "C" 6-Pin and<br/>optional Kwikset KW keyways<br/>included.</p> |  | <p><b>2200 NL</b><br/><b>IC2200NL</b><br/><b>ICSC2200NL</b></p> <p>FOR RIM DEVICES ONLY<br/>Outside by pull and key.<br/>Key retracts latch bolt.<br/>ANSI Function (03).<br/>Covers 161 cutout. Standard<br/>Rim Cylinder available in "C"<br/>6-Pin and optional Kwikset<br/>KW keyways included.</p> |  | <p><b>2200DTP</b></p> <p>Outside by pull only.<br/>Pull when dogged.<br/>ANSI Function (02)<br/>Covers 161 cutout.</p> |  | <p><b>2200EOP</b></p> <p>Outside by plate only.<br/>ANSI Function (01)<br/>Covers 161 cutout.</p> |  | <p><b>8000K</b><br/><b>ENTRANCE</b></p> <p>Key locks and unlocks knob.<br/>Operates as classroom<br/>function. ANSI Function (08)</p> |  |
|---|--|---|--|--|--|---|--|---|--|

## THUMBPIECE TRIM (OPERATES ON RIM & VERTICAL ROD DEVICES)

|  |   |
|--|---|
| <p><b>THP00</b> or<br/>● <b>ICTHP00</b><br/>● <b>ICSCTHP00</b></p> | <p><b>ENTRANCE</b><br/>Key locks or unlocks thumbpiece.<br/>(Operates as classroom function)<br/>ANSI Function (05)</p>                 |
| <p><b>THP05</b> or<br/>● <b>ICTHP05</b><br/>● <b>ICSCTHP05</b></p> | <p><b>STOREROOM</b><br/>Key unlocks thumbpiece, thumbpiece retracts<br/>latch bolt, otherwise always locked.<br/>ANSI Function (06)</p> |
| <p><b>THP30</b></p>  | <p><b>PASSAGE</b><br/>Trim always operable and free.<br/>ANSI Function (15)</p>   |
| <p><b>THP40</b></p>  | <p><b>DUMMY</b><br/>Dummy trim. Includes blank Mortise<br/>dummy cylinder.<br/>ANSI Function (02)</p>                                   |



### FINISHES

Powder coated Aluminum, Dark Bronze (DURO), Gold for PULL and THUMBPIECE TRIMS.  
US32D,3,10B for 8000K knob trim.

**KEYWAY:** 6 pin solid brass "C" keyway Mortise Cylinder standard. Optional: Schlage E, Schlage C-K, Russwin D1-2-3-4, Corbin 59/60, Sargent LA-LB-LC, Falcon/Weiser E, Arrow A, Yale 8, Yale GA and Kwikset. Can also accept Medeco, Assa, Kaba and **Cal-Royal HSK** High Security Cylinders.

### ● (IC) INTERCHANGEABLE CORE

Interchangeable Core locks will accept compatible 6 or 7-Pin cores with BEST, FALCON and ARROW.

### ● (ICSC) INTERCHANGEABLE CORE

Indicates function available with **Schlage Full size format** Interchangeable Core. Corbin, Sargent and Yale format also available.

### DOOR THICKNESS

Standard 1 3/4". For 2 1/4" thick door use additional PART # TAIL 7.