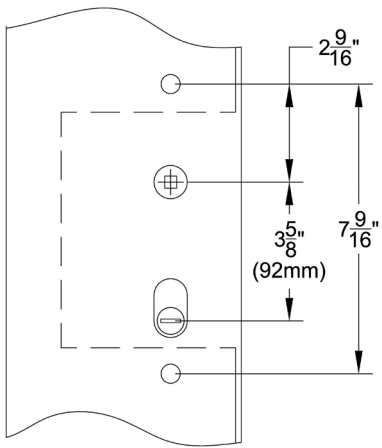


# EMTEK MULTI POINT LOCK TRIM FOR SWING PATIO DOORS

# EMTEK®

**Door Manufacturers listed under each configuration are for reference only and are subject to change. Some retro fitting may be necessary. Please carefully measure and identify your hardware using the diagrams and steps listed on page 2 and 3.**

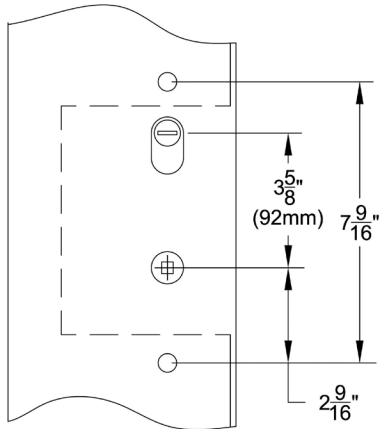
G-U® is a registered trademark of G-U Hardware, Inc. Paddock™ is a registered trademark of Yale® UK. Pella® is a registered trademark of Pella Corporation. Sierra Pacific Windows® is a registered trademark of Sierra Pacific Industries. Superior® is a registered trademark of Superior Engineered Products Corporation. Willmar® is a registered trademark of JELD-WEN of Canada Ltd. Andersen® is a registered trademark of Andersen Corporation. Trillanium® is a registered trademark of Endura Products, Inc. Eagle® is a registered trademark of Eagle Window and Door, Inc. BiltBest® is a registered trademark of BiltBest Windows and Patio Doors. Ashland® is a registered trademark of Ashland Products, Inc. Caradco®, JELD-WEN, Norco® and Pozzi® are registered trademarks of JELD-WEN Inc., Oregon, USA. Integrity® and Marvin® are registered trademarks of Marvin Windows and Doors. Milgard® is a registered trademark of Milgard Windows, Inc. Therma-Tru® is a registered trademark of Therma-Tru Doors®. HOPPE® is a registered trademark of HOPPE North America, Inc. Hurd® is a registered trademark of Hurd Millwork Company. Kolbe & Kolbe® is a registered trademark of Kolbe & Kolbe Millwork Company, Inc. Lincoln® is a registered trademark of Lincoln Wood Products, Inc. Loewen® is a registered trademark of Loewen Windows. PGT® is a registered trademark of PGT Industries. Peachtree® and Vetter® are registered trademark of The Peachtree Companies, Inc. Semco® is a registered trademark of Semling-Menke Co. Inc. Weathershield® is a registered trademark of Weathershield Mfg. Inc. KML by Andersen® is a registered trademark of KML by Andersen. Atrium® is a registered trademark of Atrium. KFV® is a registered trademark of KFV. Simpson® is a registered trademark of Simpson. Signature® is a registered trademark of Signature. Crestline® is a registered trademark of Crestline. Windsor® is a registered trademark of Windsor. With the exception of Paddock™, none of the aforementioned companies are affiliated with Emtek Products, Inc.



**Door Configuration #1** ..... 4

American Cylinder Hub **Below** Handle, 3<sup>5</sup>/<sub>8</sub>" Center-to-Center

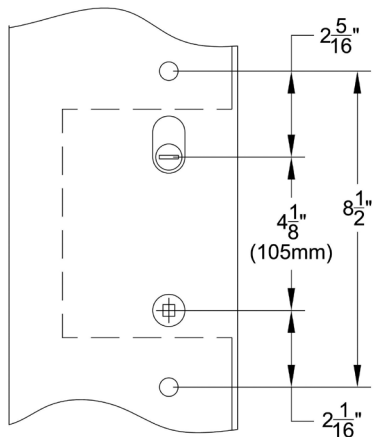
ref. Atrium<sup>®</sup>, G-U<sup>®</sup>, KML by Andersen<sup>®</sup>, Andersen<sup>®</sup>,  
Marvin Integrity<sup>®</sup>, Paddock Lockmaster<sup>™</sup>, Superior<sup>®</sup>



**Door Configuration #2** ..... 6

American Cylinder Hub **Above** Handle, 3<sup>5</sup>/<sub>8</sub>" Center-to-Center

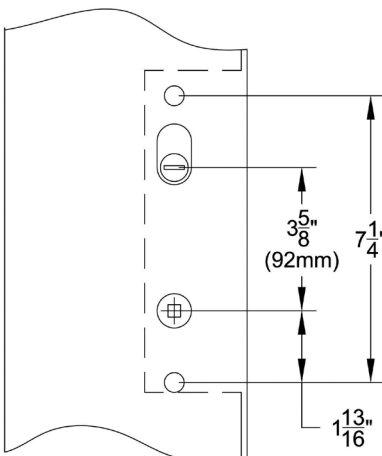
ref. BiltBest<sup>®</sup>, G-U<sup>®</sup>, Hurd<sup>®</sup> (Energy Saver), Andersen<sup>®</sup>



**Door Configuration #3** ..... 8

American Cylinder Hub **Above** Handle, 4<sup>1</sup>/<sub>8</sub>" Center-to-Center

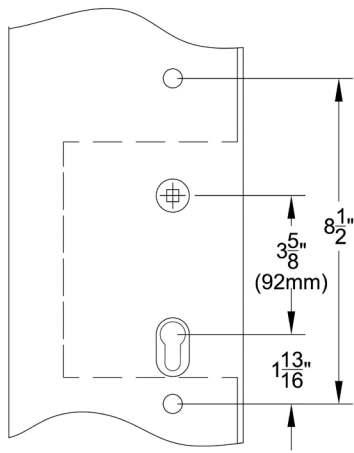
ref. Andersen<sup>®</sup>



**Door Configuration #4** ..... 10

American Cylinder Hub **Above** Handle, 3<sup>5</sup>/<sub>8</sub>" Center-to-Center

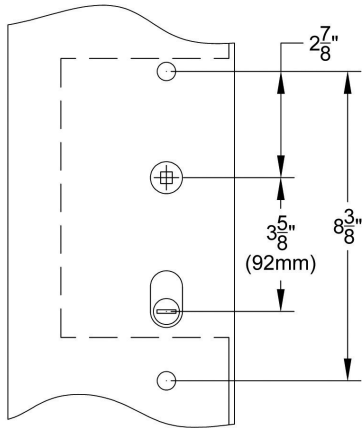
ref. Ashland<sup>®</sup>, G-U<sup>®</sup>, Caradco<sup>®</sup>, JELD-WEN<sup>®</sup>, Jeldwen<sup>®</sup> Custom  
Collection (formerly Pozzi<sup>®</sup>), Marvin<sup>®</sup>, PGT<sup>®</sup>, Premium Collection  
(formerly Norco<sup>®</sup>), Weathershield<sup>®</sup>



**Door Configuration #5** ..... 12

Euro Profile Cylinder **Below** Handle, 3<sup>5</sup>/<sub>8</sub>" Center-to-Center

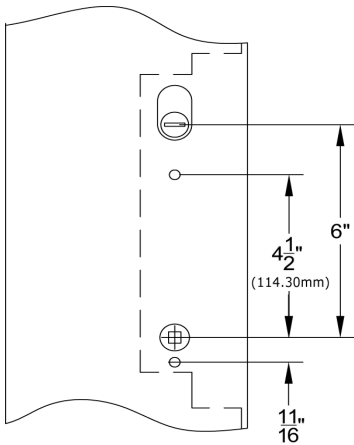
ref. Crestline®, Hoppe®, Hurd®, KfV®, Kolbe & Kolbe®, Lincoln®, Loewen®, Paddock Lockmaster™, Peachtree®, Semco®, Sierra Pacific®, Signature®, Simpson®, Therma-Tru®, Vetter®, Willmar®, Windsor®, Weathershield®



**Door Configuration #6** ..... 14

American Cylinder Hub **Below** Handle, 3<sup>5</sup>/<sub>8</sub>" Center-to-Center

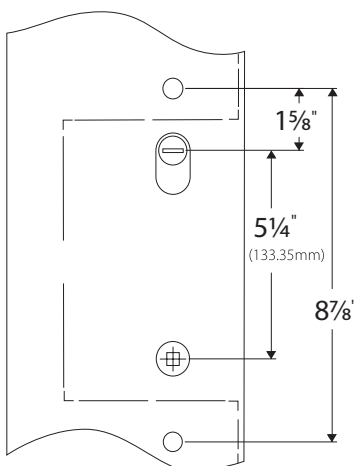
ref. Milgard®, Pella®



**Door Configuration #7** ..... 16

American Cylinder Hub **Above** Handle, 6" Center-to-Center

ref. Trillanium® (formerly W&F Manufacturing)

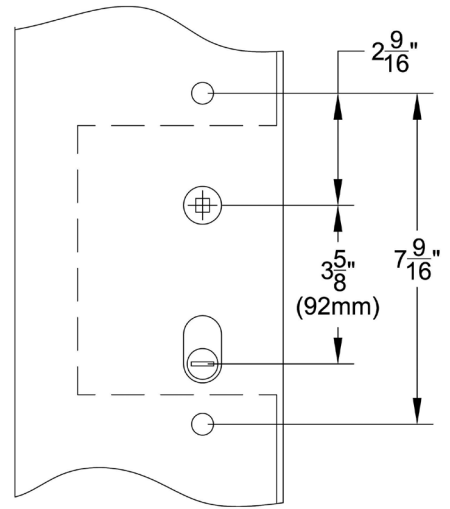
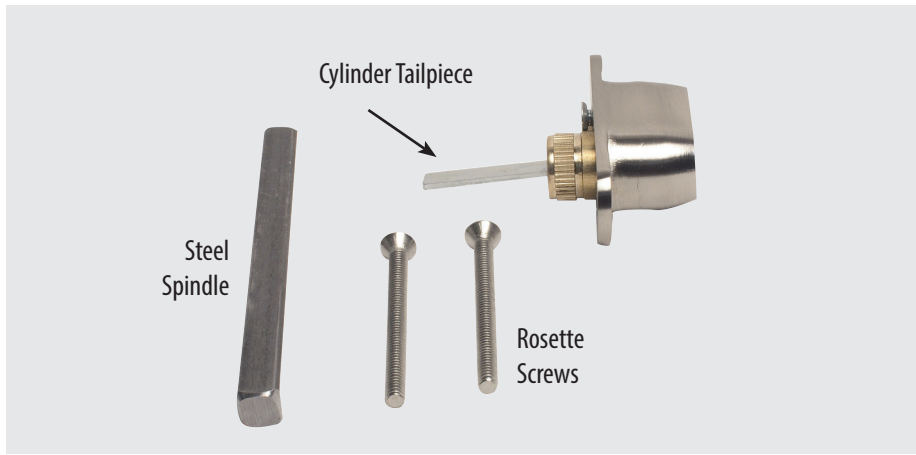


**Door Configuration #8** ..... 18

American Cylinder Hub **Above** Handle, 5<sup>1</sup>/<sub>4</sub>" Center-to-Center

ref. Neuma Doors®

## Door Configuration # 1 American Cylinder Below Handle 3 5/8" Center-to-Center



**Keyed Plates with American Cylinder** Includes non-keyed thumbturn inside

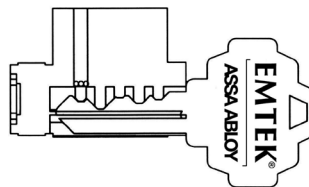
Standard Door Thickness: from 1 5/8" to 2"	Extended Door Thickness: Over 2" to 2 3/4"
<p>Standard Components:</p> <ul style="list-style-type: none"> <li>• Single Cylinder Tailpiece</li> <li>• 3 3/4" Steel Spindle</li> <li>• 2" Rosette Screws</li> <li>• 1 1/2" Rosette Screws for 1 5/8" thick door</li> </ul>	<p>Extended Components:</p> <ul style="list-style-type: none"> <li>• Long Single Cylinder Tailpiece</li> <li>• 4 1/2" Steel Spindle</li> <li>• 2 1/2" Rosette Screws</li> <li>• 2" Rosette Screws for 2" - 2 1/8" thick door</li> </ul>

**Non-Keyed Plates** Includes non-keyed passage, fixed handle out/operating handle in, and dummy (uses screws only)

Standard Door Thickness: from 1 5/8" to 2"	Extended Door Thickness: Over 2" to 2 3/4"
<p>Standard Components:</p> <ul style="list-style-type: none"> <li>• Thumbturn Tailpiece</li> <li>• 3 3/4" Steel Spindle (half-spindle for fixed handle out/operating handle in)</li> <li>• 2" Rosette Screws</li> <li>• 1 1/2" Rosette Screws for 1 5/8" thick door</li> </ul>	<p>Extended Components:</p> <ul style="list-style-type: none"> <li>• Long Thumbturn Tailpiece</li> <li>• 4 1/2" Steel Spindle (half-spindle for fixed handle out/operating handle in)</li> <li>• 2 1/2" Rosette Screws</li> <li>• 2" Rosette Screws for 2" - 2 1/8" thick door</li> </ul>

## CONSTRUCTION KEYING

- Lost ball system.
- Last four pin locations drilled for lost ball application.
- Master key pins used for code variability.
- Construction keys and owner keys sent separately.
- Order by indicating "**Construction Keyed, House #\_**" next to applicable locks.



- Construction devices used on one or more of last four positions.



- Dimples drilled in plug in this position.

### Charge for Construction Keying - \$3.00 (NET)

- Locks that are both construction keyed and keyed alike in a house group will be charged a total of \$5.00 (NET) per cylinder.

### Charge for Re-Keying - \$2.00 (NET) per Cylinder

- Locks that are keyed to code or keyed alike in a house group will be charged \$2.00 (NET) per cylinder.

### Keying to Code

- Order by indicating "Key Code XXXXX" next to applicable locks.

### Keying Alike

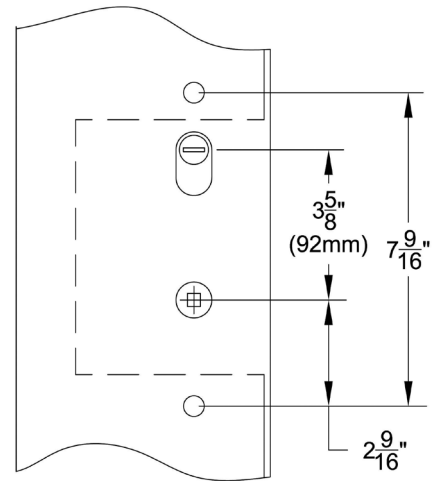
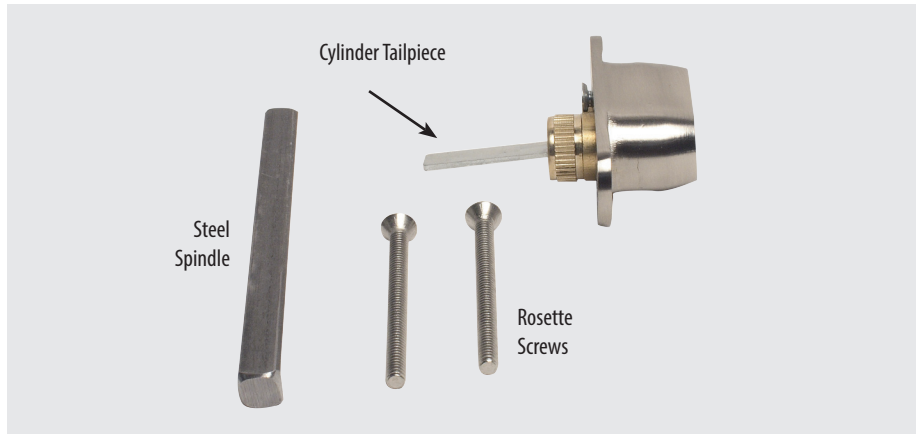
- Order by indicating "Keyed Alike" next to applicable locks if only one keyed alike group is wanted.
- If ordering multiple groups (houses) indicate "**Keyed Alike House #\_**" next to applicable locks.

Set includes plates, handles and cylinders (where applicable). Multi Point lock mechanism is not included.

Atrium®, G-U®, KML by Andersen®, Andersen®, Marvin Integrity®, Paddock Lockmaster™, Superior®

<b>Keyed with American Cylinder</b> (for Active Door, Schlage® Keyway Standard, Weiser® Keyway Optional, Rekeyable)	
<p>Product Codes 1111, 1131, 1151, 1171, 11A1</p>	<p>Product Codes 1121, 1141, 1161, 1181, 11B1</p>
<b>Non-Keyed, Passage</b> (for Semi-Active Door)	
<p>Product Codes 1112, 1132, 1152, 1172, 11A2</p>	<p>Product Codes 1122, 1142, 1162, 1182, 11B2</p>
<b>Non-Keyed, American Style Thumbturn Inside</b> (for Active Door)	
<p>Product Codes 1113, 1133, 1153, 1173, 11A3</p>	<p>Product Codes 1123, 1143, 1163, 1183, 11B3</p>
<b>Non-Keyed, Fixed Handle Outside, Operating Handle Inside</b> (for Semi-Active Door)	
<p>Product Codes 1114, 1134, 1154, 1174, 11A4</p> <p>Fixed</p>	<p>Product Codes 1124, 1144, 1164, 1184, 11B4</p> <p>Fixed</p>
<b>Dummy Pair</b> (for Non-Active Door)	
<p>Product Codes 1115, 1135, 1155, 1175, 11A5</p> <p>Fixed</p> <p>Fixed</p>	<p>Product Codes 1125, 1145, 1165, 1185, 11B5</p> <p>Fixed</p> <p>Fixed</p>

## Door Configuration #2 American Cylinder Above Handle 3 5/8" Center-to-Center



### Keyed Plates with American Cylinder Includes non-keyed thumbturn inside

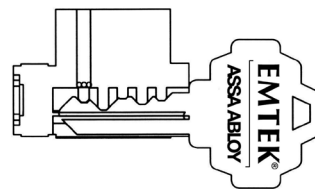
Standard Door Thickness: from 1 5/8" to 2"	Extended Door Thickness: Over 2" to 2 3/4"
<b>Standard Components:</b> <ul style="list-style-type: none"> <li>• Single Cylinder Tailpiece</li> <li>• 3 3/4" Steel Spindle</li> <li>• 2" Rosette Screws</li> <li>• 1 1/2" Rosette Screws for 1 5/8" thick door</li> </ul>	<b>Extended Components:</b> <ul style="list-style-type: none"> <li>• Long Single Cylinder Tailpiece</li> <li>• 4 1/2" Steel Spindle</li> <li>• 2 1/2" Rosette Screws</li> <li>• 2" Rosette Screws for 2" - 2 1/8" thick door</li> </ul>

### Non-Keyed Plates Includes non-keyed passage, fixed handle out/operating handle in, and dummy (uses screws only)

Standard Door Thickness: from 1 5/8" to 2"	Extended Door Thickness: Over 2" to 2 3/4"
<b>Standard Components:</b> <ul style="list-style-type: none"> <li>• Thumbturn Tailpiece</li> <li>• 3 3/4" Steel Spindle (half-spindle for fixed handle out/operating handle in)</li> <li>• 2" Rosette Screws</li> <li>• 1 1/2" Rosette Screws for 1 5/8" thick door</li> </ul>	<b>Extended Components:</b> <ul style="list-style-type: none"> <li>• Long Thumbturn Tailpiece</li> <li>• 4 1/2" Steel Spindle (half-spindle for fixed handle out/operating handle in)</li> <li>• 2 1/2" Rosette Screws</li> <li>• 2" Rosette Screws for 2" - 2 1/8" thick door</li> </ul>

## CONSTRUCTION KEYING

- Lost ball system.
- Last four pin locations drilled for lost ball application.
- Master key pins used for code variability.
- Construction keys and owner keys sent separately.
- Order by indicating "**Construction Keyed, House #\_**" next to applicable locks.



- Construction devices used on one or more of last four positions.



- Dimples drilled in plug in this position.

### Charge for Construction Keying - \$3.00 (NET)

- Locks that are both construction keyed and keyed alike in a house group will be charged a total of \$5.00 (NET) per cylinder.

### Charge for Re-Keying - \$2.00 (NET) per Cylinder

- Locks that are keyed to code or keyed alike in a house group will be charged \$2.00 (NET) per cylinder.

### Keying to Code

- Order by indicating "Key Code XXXXX" next to applicable locks.

### Keying Alike

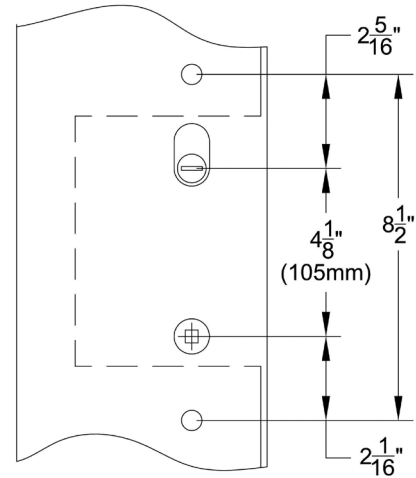
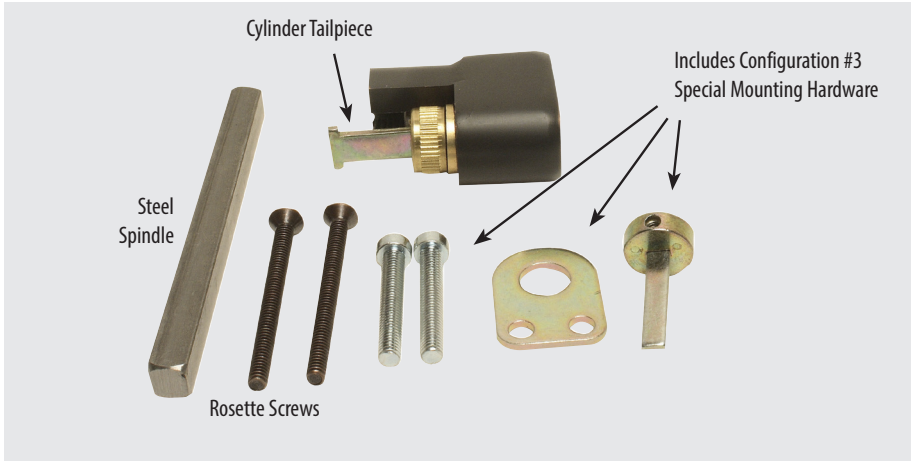
- Order by indicating "Keyed Alike" next to applicable locks if only one keyed alike group is wanted.
- If ordering multiple groups (houses) indicate "**Keyed Alike House #\_**" next to applicable locks.

Set includes plates, handles and cylinders (where applicable). Multi Point lock mechanism is not included.

BiltBest®, G-U®, Hurd® (Energy Saver), Andersen®

<b>Keyed with American Cylinder</b> (for Active Door, Schlage® Keyway Standard, Weiser® Keyway Optional, Rekeyable)	
Product Codes <b>1211, 1231, 1251, 1271, 12A1</b> 	Product Codes <b>1221, 1241, 1261, 1281, 12B1</b> 
<b>Non-Keyed, Passage</b> (for Semi-Active Door)	
Product Codes <b>1212, 1232, 1252, 1272, 12A2</b> 	Product Codes <b>1222, 1242, 1262, 1282, 12B2</b> 
<b>Non-Keyed, American Style Thumbturn Inside</b> (for Active Door)	
Product Codes <b>1213, 1233, 1253, 1273, 12A3</b> 	Product Codes <b>1223, 1243, 1263, 1283, 12B3</b> 
<b>Non-Keyed, Fixed Handle Outside, Operating Handle Inside</b> (for Semi-Active Door)	
Product Codes <b>1214, 1234, 1254, 1274, 12A4</b> Fixed 	Product Codes <b>1224, 1244, 1264, 1284, 12B4</b> Fixed 
<b>Dummy Pair</b> (for Non-Active Door)	
Product Codes <b>1215, 1235, 1255, 1275, 12A5</b> Fixed 	Product Codes <b>1225, 1245, 1265, 1285, 12B5</b> Fixed 

## Door Configuration #3 American Cylinder Above Handle 4 1/8" Center-to-Center



### Keyed Plates with American Cylinder Includes non-keyed thumbturn inside

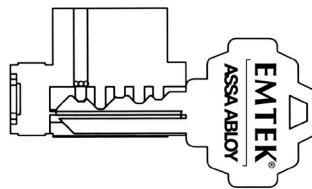
Standard Door Thickness: from 1 5/8" to 2"	Extended Door Thickness: Over 2" to 2 3/4"
<b>Standard Components:</b> <ul style="list-style-type: none"> <li>• Single Cylinder Tailpiece</li> <li>• 3 3/4" Steel Spindle</li> <li>• 2" Rosette Screws</li> <li>• 1 1/2" Rosette Screws for 1 5/8" thick door</li> </ul>	<b>Extended Components:</b> <ul style="list-style-type: none"> <li>• Single Cylinder Tailpiece</li> <li>• 4 1/2" Steel Spindle</li> <li>• 2 1/2" Rosette Screws</li> <li>• 2" Rosette Screws for 2" - 2 1/8" thick door</li> </ul>

### Non-Keyed Plates Includes non-keyed passage, fixed handle out/operating handle in, and dummy (uses screws only)

Standard Door Thickness: from 1 5/8" to 2"	Extended Door Thickness: Over 2" to 2 3/4"
<b>Standard Components:</b> <ul style="list-style-type: none"> <li>• Configuration #3 Thumbturn Tailpiece</li> <li>• 3 3/4" Steel Spindle (half-spindle for fixed handle out/operating handle in)</li> <li>• 2" Rosette Screws</li> <li>• 1 1/2" Rosette Screws for 1 5/8" thick door</li> </ul>	<b>Extended Components:</b> <ul style="list-style-type: none"> <li>• Configuration #3 Thumbturn Tailpiece</li> <li>• 4 1/2" Steel Spindle (half-spindle for fixed handle out/operating handle in)</li> <li>• 2 1/2" Rosette Screws</li> <li>• 2" Rosette Screws for 2" - 2 1/8" thick door</li> </ul>

## CONSTRUCTION KEYING

- Lost ball system.
- Last four pin locations drilled for lost ball application.
- Master key pins used for code variability.
- Construction keys and owner keys sent separately.
- Order by indicating "**Construction Keyed, House #\_**" next to applicable locks.



- Construction devices used on one or more of last four positions.



- Dimples drilled in plug in this position.

<b>Charge for Construction Keying - \$3.00 (NET)</b> <ul style="list-style-type: none"> <li>• Locks that are both construction keyed and keyed alike in a house group will be charged a total of \$5.00 (NET) per cylinder.</li> </ul>
--

<b>Charge for Re-Keying - \$2.00 (NET) per Cylinder</b> <ul style="list-style-type: none"> <li>• Locks that are keyed to code or keyed alike in a house group will be charged \$2.00 (NET) per cylinder.</li> </ul>
---

<b>Keying to Code</b> <ul style="list-style-type: none"> <li>• Order by indicating "Key Code XXXXX" next to applicable locks.</li> </ul>
--

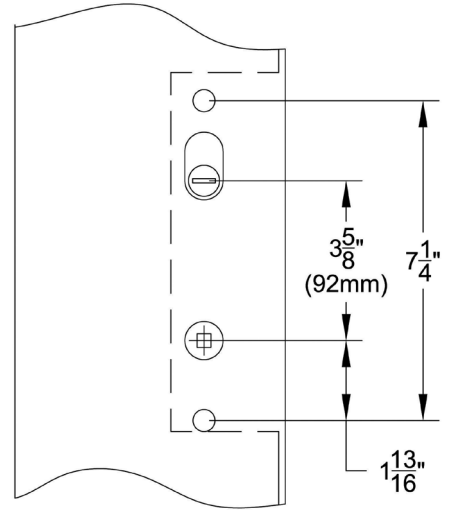
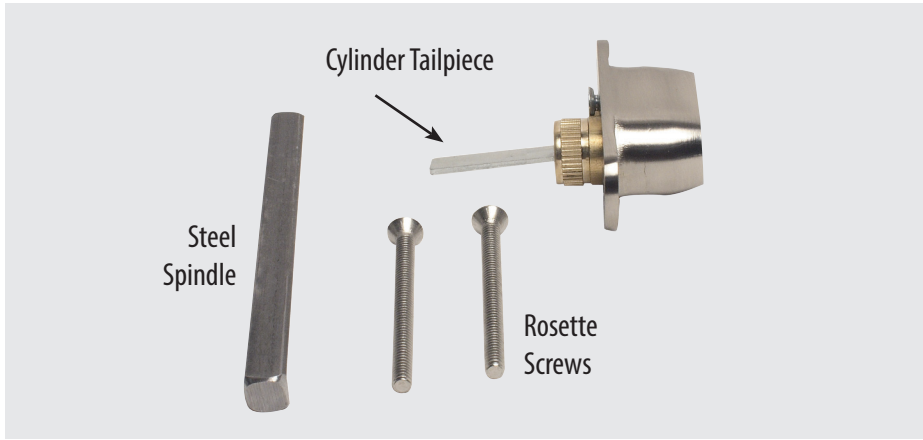
<b>Keying Alike</b> <ul style="list-style-type: none"> <li>• Order by indicating "Keyed Alike" next to applicable locks if only one keyed alike group is wanted.</li> <li>• If ordering multiple groups (houses) indicate "<b>Keyed Alike House #_</b>" next to applicable locks.</li> </ul>
--



Set includes plates, handles and cylinders (where applicable). Multi Point lock mechanism is not included.  
Andersen®

<b>Keyed with American Cylinder</b> (for Active Door, Schlage® Keyway Standard, Weiser® Keyway Optional, Rekeyable)	
Product Codes <b>1311, 1331, 1351, 1371, 13A1</b> 	Product Codes <b>1321, 1341, 1361, 1381, 13B1</b> 
<b>Non-Keyed, Passage</b> (for Semi-Active Door)	
Product Codes <b>1312, 1332, 1352, 1372, 13A2</b> 	Product Codes <b>1322, 1342, 1362, 1382, 13B2</b> 
<b>Non-Keyed, American Style Thumbturn Inside</b> (for Active Door)	
Product Codes <b>1313, 1333, 1353, 1373, 13A3</b> 	Product Codes <b>1323, 1343, 1363, 1383, 13B3</b> 
<b>Non-Keyed, Fixed Handle Outside, Operating Handle Inside</b> (for Semi-Active Door)	
Product Codes <b>1314, 1334, 1354, 1374, 13A4</b> 	Product Codes <b>1324, 1344, 1364, 1384, 13B4</b> 
<b>Dummy Pair</b> (for Non-Active Door)	
Product Codes <b>1315, 1335, 1355, 1375, 13A5</b> 	Product Codes <b>1325, 1345, 1365, 1385, 13B5</b> 

## Door Configuration #4 American Cylinder Above Handle 3 5/8" Center-to-Center



**Keyed Plates with American Cylinder** Includes non-keyed thumbturn inside

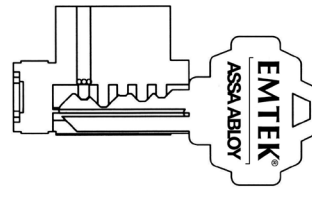
Standard Door Thickness: from 1 5/8" to 2"	Extended Door Thickness: Over 2" to 2 3/4"
<p>Standard Components:</p> <ul style="list-style-type: none"> <li>• Single Cylinder Tailpiece</li> <li>• 3 3/4" Steel Spindle</li> <li>• 2" Rosette Screws for 1 5/8" - 1 3/4" thick door</li> <li>• 2 1/2" Rosette Screws for 1 3/4" - 2" thick door</li> </ul>	<p>Extended Components:</p> <ul style="list-style-type: none"> <li>• Long Single Cylinder Tailpiece</li> <li>• 4 1/2" Steel Spindle</li> <li>• 2 1/2" Rosette Screws 2" - 2 1/4" thick door</li> <li>• 3" Rosette Screws for 2 1/4" - 2 3/4" thick door</li> </ul>

**Non-Keyed Plates** Includes non-keyed passage, fixed handle out/operating handle in, and dummy (uses screws only)

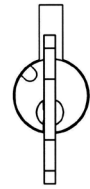
Standard Door Thickness: from 1 5/8" to 2"	Extended Door Thickness: Over 2" to 2 3/4"
<p>Standard Components:</p> <ul style="list-style-type: none"> <li>• Thumbturn Tailpiece</li> <li>• 3 3/4" Steel Spindle (half-spindle for fixed handle out/operating handle in)</li> <li>• 2" Rosette Screws for 1 5/8" - 1 3/4" thick door</li> <li>• 2 1/2" Rosette Screws for 1 3/4" - 2" thick door</li> </ul>	<p>Extended Components:</p> <ul style="list-style-type: none"> <li>• Long Thumbturn Tailpiece</li> <li>• 4 1/2" Steel Spindle (half-spindle for fixed handle out/operating handle in)</li> <li>• 2 1/2" Rosette Screws 2" - 2 1/4" thick door</li> <li>• 3" Rosette Screws for 2 1/4" - 2 3/4" thick door</li> </ul>

## CONSTRUCTION KEYING

- Lost ball system.
- Last four pin locations drilled for lost ball application.
- Master key pins used for code variability.
- Construction keys and owner keys sent separately.
- Order by indicating "**Construction Keyed, House #\_**" next to applicable locks.



- Construction devices used on one or more of last four positions.



- Dimples drilled in plug in this position.

<p><b>Charge for Construction Keying - \$3.00 (NET)</b></p> <ul style="list-style-type: none"> <li>• Locks that are both construction keyed and keyed alike in a house group will be charged a total of \$5.00 (NET) per cylinder.</li> </ul>
---

<p><b>Charge for Re-Keying - \$2.00 (NET) per Cylinder</b></p> <ul style="list-style-type: none"> <li>• Locks that are keyed to code or keyed alike in a house group will be charged \$2.00 (NET) per cylinder.</li> </ul>
--

<p><b>Keying to Code</b></p> <ul style="list-style-type: none"> <li>• Order by indicating "Key Code XXXXX" next to applicable locks.</li> </ul>
---

<p><b>Keying Alike</b></p> <ul style="list-style-type: none"> <li>• Order by indicating "Keyed Alike" next to applicable locks if only one keyed alike group is wanted.</li> <li>• If ordering multiple groups (houses) indicate "<b>Keyed Alike House #_</b>" next to applicable locks.</li> </ul>
---

Set includes plates, handles and cylinders (where applicable). Multi Point lock mechanism is not included.  
 Ashland®, G-U®, Caradco®, JELD-WEN®, Jeldwen® Custom Collection (formerly Pozzi®), Marvin®, PGT®, Premium Collection (formerly Norco®), Weathershield®

**Keyed with American Cylinder** (for Active Door, Schlage® Keyway Standard, Weiser® Keyway Optional, Rekeyable)

Product Codes **1411, 1431, 1451, 1471, 14A1**

Product Codes **1421, 1441, 1461, 1481, 14B1**

**Non-Keyed, Passage** (for Semi-Active Door)

Product Codes **1412, 1432, 1452, 1472, 14A2**

Product Codes **1422, 1442, 1462, 1482, 14B2**

**Non-Keyed, American Style Thumbturn Inside** (for Active Door)

Product Codes **1413, 1433, 1453, 1473, 14A3**

Product Codes **1423, 1443, 1463, 1483, 14B3**

**Non-Keyed, Fixed Handle Outside, Operating Handle Inside** (for Semi-Active Door)

Product Codes **1414, 1434, 1454, 1474, 14A4**

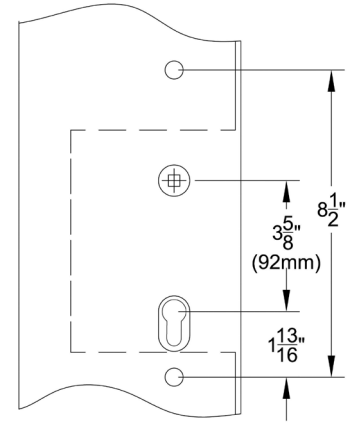
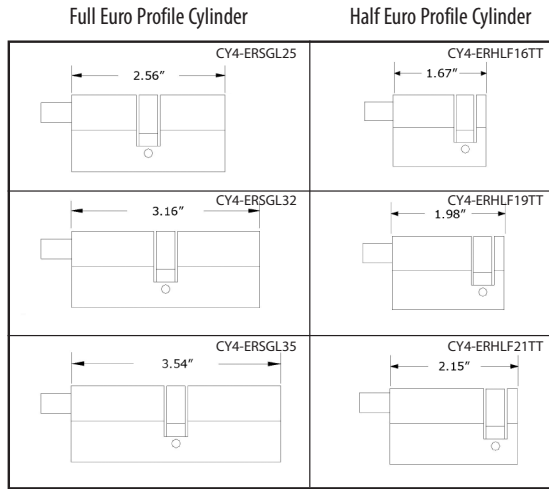
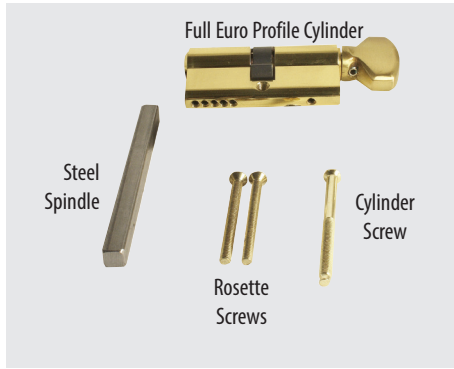
Product Codes **1424, 1444, 1464, 1484, 14B4**

**Dummy Pair** (for Non-Active Door)

Product Codes **1415, 1435, 1455, 1475, 14A5**

Product Codes **1425, 1445, 1465, 1485, 14B5**

## Door Configuration #5 Euro Profile Cylinder Below Handle 3 5/8" Center-to-Center



### Keyed Plates with Euro Profile Cylinder

Standard Door Thickness: from 1 5/8" to 2"	Extended Door Thickness: Over 2" to 2 1/2"	Extended Door Thickness: Over 2 1/2" to 2 3/4"
<b>Standard Components:</b> <ul style="list-style-type: none"> <li>• 2 9/16" Euro Profile Cylinder</li> <li>• 3 3/4" Steel Spindle</li> <li>• 1 1/2" Rosette Screws</li> </ul>	<b>Extended Components:</b> <ul style="list-style-type: none"> <li>• 3 5/32" Euro Profile Cylinder</li> <li>• 4 1/2" Steel Spindle</li> <li>• 2" Rosette Screws</li> </ul>	<b>Extended Components:</b> <ul style="list-style-type: none"> <li>• 3 17/32" Euro Profile Cylinder</li> <li>• 5" Steel Spindle</li> <li>• 3" Rosette Screws</li> </ul>

### Non-Keyed Plates with Euro Profile Half Cylinder

Standard Door Thickness: from 1 5/8" to 2"	Extended Door Thickness: Over 2" to 2 1/2"	Extended Door Thickness: Over 2 1/2" to 2 3/4"
<b>Standard Components:</b> <ul style="list-style-type: none"> <li>• 1 23/32" Euro Profile Half-Cylinder</li> <li>• 3 3/4" Steel Spindle</li> <li>• 1 1/2" Rosette Screws</li> </ul>	<b>Extended Components:</b> <ul style="list-style-type: none"> <li>• 1 33/32" Euro Profile Half-Cylinder</li> <li>• 4 1/2" Steel Spindle</li> <li>• 2" Rosette Screws</li> </ul>	<b>Extended Components:</b> <ul style="list-style-type: none"> <li>• 2 5/32" Euro Profile Half-Cylinder</li> <li>• 5" Steel Spindle</li> <li>• 3" Rosette Screws</li> </ul>

### Non-Keyed Plates Includes non-keyed passage, fixed handle out/operating handle in, and dummy (uses screws only)

Standard Door Thickness: from 1 5/8" to 2"	Extended Door Thickness: Over 2" to 2 3/4"
<b>Standard Components:</b> <ul style="list-style-type: none"> <li>• 3 3/4" Steel Spindle (half-spindle for fixed handle out/operating handle in)</li> <li>• 2" Rosette Screws</li> <li>• 1 1/2" Rosette Screws for 1 5/8" thick door</li> </ul>	<b>Extended Components:</b> <ul style="list-style-type: none"> <li>• 4 1/2" Steel Spindle (half-spindle for fixed handle out/operating handle in)</li> <li>• 2 1/2" Rosette Screws</li> <li>• 2" Rosette Screws for 2" - 2 1/8" thick door</li> </ul>

## CUSTOM KEYING

<b>Charge for Re-Keying - \$2.00 (NET) per Cylinder</b> <ul style="list-style-type: none"> <li>• Locks that are keyed to code or keyed alike in a house group will be charged \$2.00 (NET) per cylinder.</li> </ul>
<b>Keying to Code</b> <ul style="list-style-type: none"> <li>• Order by indicating "Key Code XXXXX" next to applicable locks.</li> </ul>
<b>Keying Alike</b> <ul style="list-style-type: none"> <li>• Order by indicating "Keyed Alike" next to applicable locks if only one keyed alike group is wanted.</li> <li>• If ordering multiple groups (houses) indicate "Keyed Alike House # _" next to applicable locks.</li> </ul>

Set includes plates, handles and cylinders (where applicable). Multi Point lock mechanism is not included.  
 Crestline®, Hoppe®, Hurd®, KFV®, Kolbe & Kolbe®, Lincoln®, Loewen®, Paddock Lockmaster™, Peachtree®,  
 Semco®, Sierra Pacific®, Signature®, Simpson®, Therma-Tru®, Vetter®, Willmar®, Windsor®, Weathershield®

**Keyed with Euro Profile Cylinder** (for Active Door, Schlage® Keyway Standard, Rekeyable)

Product Codes **1511, 1531, 1551, 1571, 15A1**

Product Codes **1521, 1541, 1561, 1581, 15B1**

**Non-Keyed, Passage** (for Semi-Active Door)

Product Codes **1512, 1532, 1552, 1572, 15A2**

Product Codes **1522, 1542, 1562, 1582, 15B2**

**Non-Keyed, Euro Profile Style Thumbturn Inside** (for Active Door)

Product Codes **1513, 1533, 1553, 1573, 15A3**

Product Codes **1523, 1543, 1563, 1583, 15B3**

**Non-Keyed, Fixed Handle Outside, Operating Handle Inside** (for Semi-Active Door)

Product Codes **1514, 1534, 1554, 1574, 15A4**

Fixed

Product Codes **1524, 1544, 1564, 1584, 15B4**

Fixed

**Dummy Pair** (for Non-Active Door)

Product Codes **1515, 1535, 1555, 1575, 15A5**

Fixed

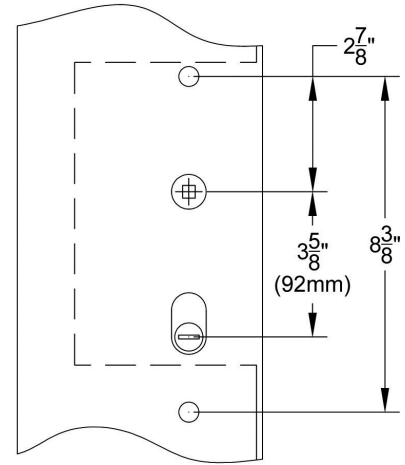
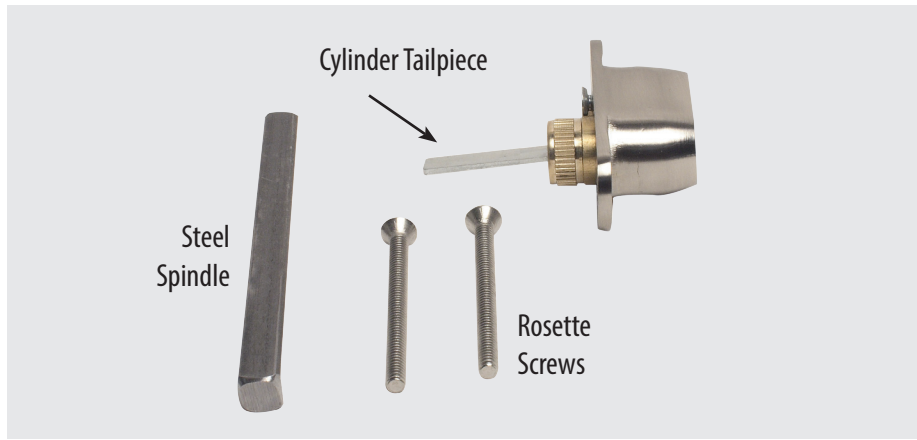
Fixed

Product Codes **1525, 1545, 1565, 1585, 15B5**

Fixed

Fixed

## Door Configuration #6 American Cylinder Below Handle 3 5/8" Center-to-Center



**Keyed Plates with American Cylinder** Includes non-keyed thumbturn inside

### Standard Door Thickness: from 1 5/8" to 2"

- Standard Components:
- Single Cylinder Tailpiece
  - 3 3/4" Steel Spindle
  - 2" Rosette Screws
  - 1 1/2" Rosette Screws for 1 5/8" thick door

### Extended Door Thickness: Over 2" to 2 3/4"

- Extended Components:
- Long Single Cylinder Tailpiece
  - 4 1/2" Steel Spindle
  - 2 1/2" Rosette Screws
  - 2" Rosette Screws for 2" - 2 1/8" thick door

**Non-Keyed Plates** Includes non-keyed passage, fixed handle out/operating handle in, and dummy (uses screws only)

### Standard Door Thickness: from 1 5/8" to 2"

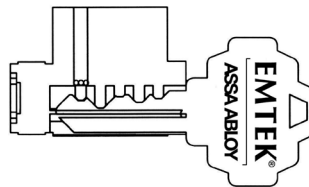
- Standard Components:
- Thumbturn Tailpiece
  - 3 3/4" Steel Spindle (half-spindle for fixed handle out/operating handle in)
  - 2" Rosette Screws
  - 1 1/2" Rosette Screws for 1 5/8" thick door

### Extended Door Thickness: Over 2" to 2 3/4"

- Extended Components:
- Long Thumbturn Tailpiece
  - 4 1/2" Steel Spindle (half-spindle for fixed handle out/operating handle in)
  - 2 1/2" Rosette Screws
  - 2" Rosette Screws for 2" - 2 1/8" thick door

## CONSTRUCTION KEYING

- Lost ball system.
- Last four pin locations drilled for lost ball application.
- Master key pins used for code variability.
- Construction keys and owner keys sent separately.
- Order by indicating "**Construction Keyed, House #\_**" next to applicable locks.



- Construction devices used on one or more of last four positions.



- Dimples drilled in plug in this position.

### Charge for Construction Keying - \$3.00 (NET)

- Locks that are both construction keyed and keyed alike in a house group will be charged a total of \$5.00 (NET) per cylinder.

### Charge for Re-Keying - \$2.00 (NET) per Cylinder

- Locks that are keyed to code or keyed alike in a house group will be charged \$2.00 (NET) per cylinder.

### Keying to Code

- Order by indicating "Key Code XXXXX" next to applicable locks.

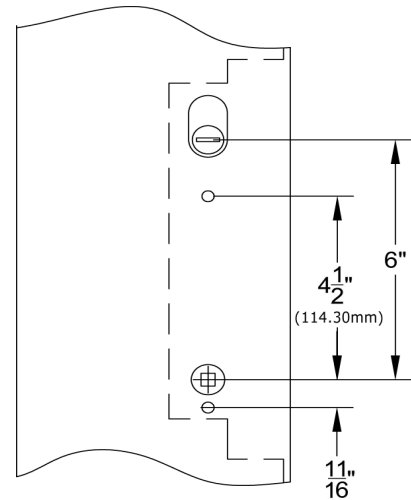
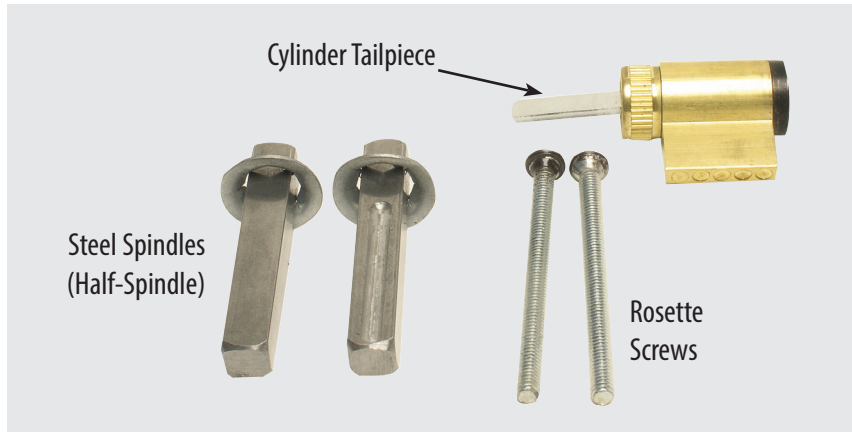
### Keying Alike

- Order by indicating "Keyed Alike" next to applicable locks if only one keyed alike group is wanted.
- If ordering multiple groups (houses) indicate "**Keyed Alike House #\_**" next to applicable locks.

Set includes plates, handles and cylinders (where applicable). Multi Point lock mechanism is not included.  
Milgard®, Pella®

<b>Keyed with American Cylinder</b> (for Active Door, Schlage® Keyway Standard, Weiser® Keyway Optional, Rekeyable)	
Product Codes <b>1611, 1631, 1651, 1671, 16A1</b> 	Product Codes <b>1621, 1641, 1661, 1681, 16B1</b> 
<b>Non-Keyed, Passage</b> (for Semi-Active Door)	
Product Codes <b>1612, 1632, 1652, 1672, 16A2</b> 	Product Codes <b>1622, 1642, 1662, 1682, 16B2</b> 
<b>Non-Keyed, American Style Thumbturn Inside</b> (for Active Door)	
Product Codes <b>1613, 1633, 1653, 1673, 16A3</b> 	Product Codes <b>1623, 1643, 1663, 1683, 16B3</b> 
<b>Non-Keyed, Fixed Handle Outside, Operating Handle Inside</b> (for Semi-Active Door)	
Product Codes <b>1614, 1634, 1654, 1674, 16A4</b> Fixed 	Product Codes <b>1624, 1644, 1664, 1684, 16B4</b> Fixed 
<b>Dummy Pair</b> (for Non-Active Door)	
Product Codes <b>1615, 1635, 1655, 1675, 16A5</b> Fixed Fixed 	Product Codes <b>1625, 1645, 1665, 1685, 16B5</b> Fixed Fixed 

## Door Configuration #7 American Cylinder Above Handle 6" Center-to-Center



### Keyed Plates with American Cylinder Includes non-keyed thumbturn inside

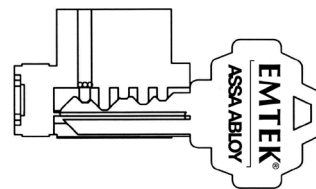
Standard Door Thickness: from 1 5/8" to 2"	Extended Door Thickness: Over 2" to 2 3/4"
<p>Standard Components:</p> <ul style="list-style-type: none"> <li>• Single Cylinder Tailpiece</li> <li>• 2" Steel Spindles (Half-spindle)</li> <li>• 2" Rosette Screws for 1 5/8" - 1 3/4" thick door</li> <li>• 2 1/2" Rosette Screws for 1 3/4" - 2" thick door</li> </ul>	<p>Extended Components:</p> <ul style="list-style-type: none"> <li>• Long Single Cylinder Tailpiece</li> <li>• 2" Steel Spindles (Half-spindle)</li> <li>• 2 1/2" Rosette Screws 2" - 2 1/4" thick door</li> <li>• 3" Rosette Screws for 2 1/4" - 2 3/4" thick door</li> </ul>

### Non-Keyed Plates Includes non-keyed passage, fixed handle out/operating handle in, & dummy (uses screws only)

Standard Door Thickness: from 1 5/8" to 2"	Extended Door Thickness: Over 2" to 2 3/4"
<p>Standard Components:</p> <ul style="list-style-type: none"> <li>• Thumbturn Tailpiece</li> <li>• 2" Steel Spindles (Half-spindle. No spindle for fixed handles)</li> <li>• 2" Rosette Screws for 1 5/8" - 1 3/4" thick door</li> <li>• 2 1/2" Rosette Screws for 1 3/4" - 2" thick door</li> </ul>	<p>Extended Components:</p> <ul style="list-style-type: none"> <li>• Long Thumbturn Tailpiece</li> <li>• 2" Steel Spindles (Half-spindle. No spindle for fixed handles)</li> <li>• 2 1/2" Rosette Screws 2" - 2 1/4" thick door</li> <li>• 3" Rosette Screws for 2 1/4" - 2 3/4" thick door</li> </ul>

## CONSTRUCTION KEYING

- Lost ball system.
- Last four pin locations drilled for lost ball application.
- Master key pins used for code variability.
- Construction keys and owner keys sent separately.
- Order by indicating "Construction Keyed, House #\_" next to applicable locks.



- Construction devices used on one or more of last four positions.



- Dimples drilled in plug in this position.

### Charge for Construction Keying - \$3.00 (NET)

- Locks that are both construction keyed and keyed alike in a house group will be charged a total of \$5.00 (NET) per cylinder.

### Charge for Re-Keying - \$2.00 (NET) per Cylinder

- Locks that are keyed to code or keyed alike in a house group will be charged \$2.00 (NET) per cylinder.

### Keying to Code

- Order by indicating "Key Code XXXXX" next to applicable locks.

### Keying Alike

- Order by indicating "Keyed Alike" next to applicable locks if only one keyed alike group is wanted.
- If ordering multiple groups (houses) indicate "Keyed Alike House #\_" next to applicable locks.

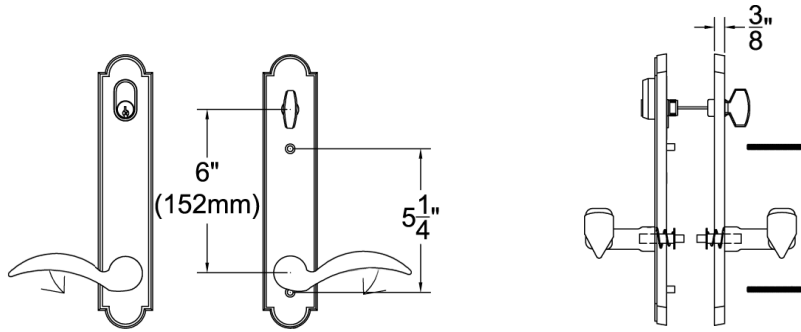


Set includes plates, handles and cylinders (where applicable). Multi Point lock mechanism is not included.

Trillenium® (formerly W&F Manufacturing)

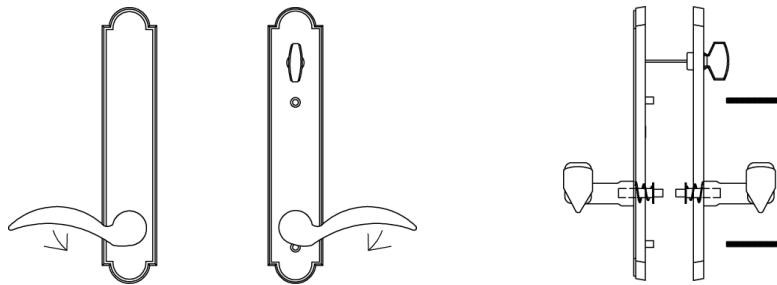
**Keyed with American Cylinder** (for Active Door, Schlage® Keyway Standard, Weiser® Keyway Optional, Rekeyable)

Product Codes **1721, 1741, 1761, 17B1**



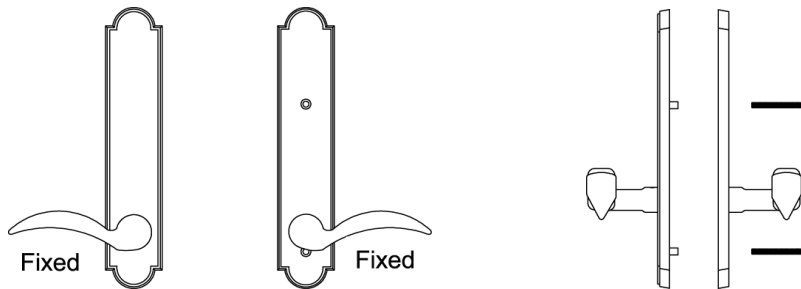
**Non-Keyed, American Style T-Turn Inside** (Active Door)

Product Codes **1723, 1743, 1763, 17B3**



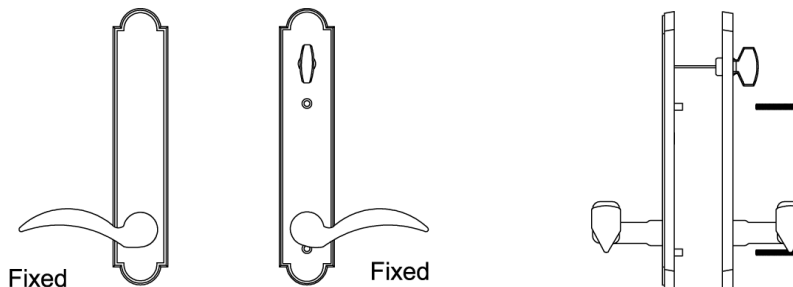
**Dummy Pair** (for Non-Active Door)

Product Codes **1725, 1745, 1765, 17B5**

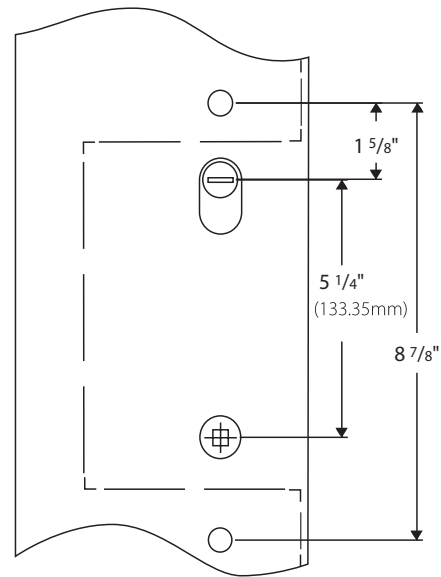
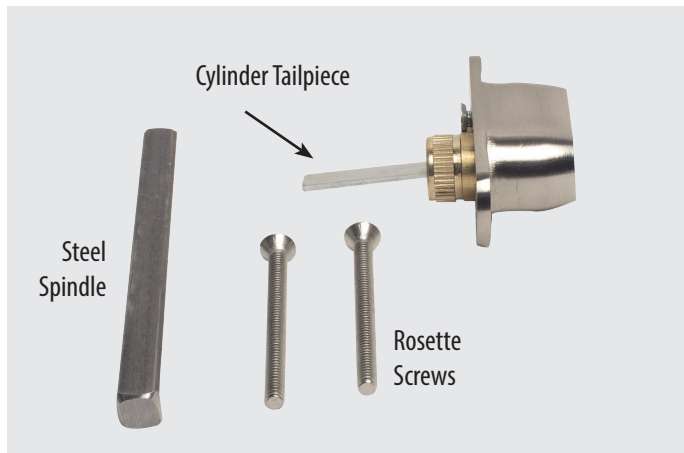


**Non-Keyed, Fixed Handles, American Style T-Turn Inside** (for Semi-Active Door)

Product Codes **1726, 1746, 1766, 17B6**



## Door Configuration #8 American Cylinder Above Handle 5 1/4" Center to Center



**Keyed Plates with American Cylinder** Includes non-keyed thumbturn inside

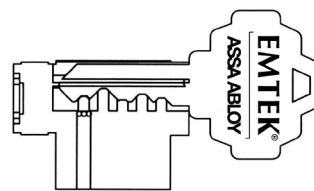
<b>Standard Door Thickness: 1 3/4"</b>
Standard Components: • Single Cylinder Tailpiece • 3 3/4" Steel Spindle • 1 1/2" Rosette Screws

**Non-Keyed Plates** Includes non-keyed passage, fixed handle out/operating handle in

<b>Standard Door Thickness: 1 3/4"</b>
Standard Components: • Thumbturn Tailpiece • 3 3/4" Steel Spindle (half-spindle for fixed handle out/operating handle in) • 1 1/2" Rosette Screws

## CONSTRUCTION KEYING

- Lost ball system.
- Last four pin locations drilled for lost ball application.
- Master key pins used for code variability.
- Construction keys and owner keys sent separately.
- Order by indicating "**Construction Keyed, House #\_**" next to applicable locks.



Construction devices used on one or more of last four positions.



Dimples drilled in plug in this position.

<b>Charge for Construction Keying - \$3.00 (NET)</b>
• Locks that are both construction keyed and keyed alike in a house group will be charged a total of \$5.00 (NET) per cylinder.

<b>Charge for Re-Keying - \$2.00 (NET) per Cylinder</b>
• Locks that are keyed to code or keyed alike in a house group will be charged \$2.00 (NET) per cylinder.

<b>Keying to Code</b>
• Order by indicating "Key Code XXXXX" next to applicable locks.

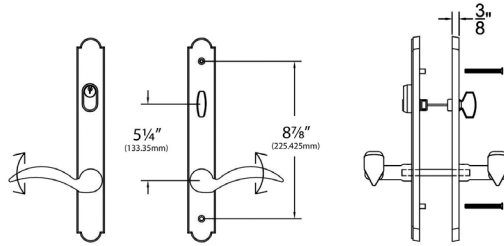
<b>Keying Alike</b>
• Order by indicating "Keyed Alike" next to applicable locks if only one keyed alike group is wanted. • If ordering multiple groups (houses) indicate " <b>Keyed Alike House #_</b> " next to applicable locks.

Set includes plates, handles and cylinders (where applicable). Multi Point lock mechanism is not included.

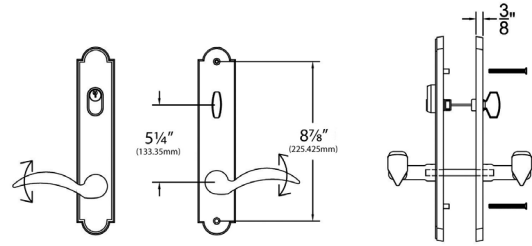
Neuma Doors®

**Keyed with American Cylinder** (for Active Door, Schlage® Keyway Standard, Weiser® Keyway Optional, Rekeyable)

Product Codes **1811, 1831, 1851, 18A1**

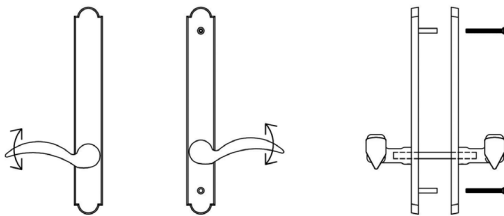


Product Codes **1821, 1841, 1861, 18B1**

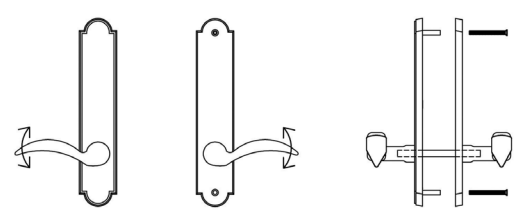


**Non-Keyed, Passage** (for Semi-Active Door)

Product Codes **1812, 1832, 1852, 18A2**

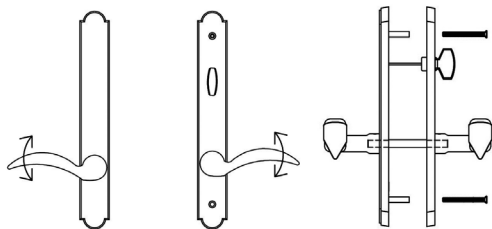


Product Codes **1822, 1842, 1862, 18B2**

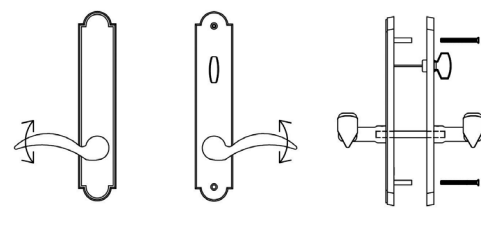


**Non-Keyed, American Style Thumbturn Inside** (for Active Door)

Product Codes **1813, 1833, 1853, 18A3**

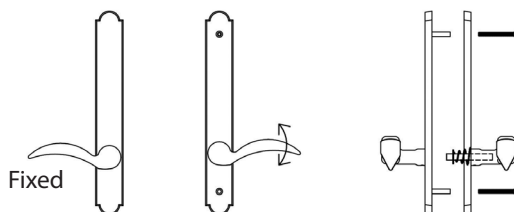


Product Codes **1823, 1843, 1863, 18B3**



**Non-Keyed, Fixed Handle Outside, Operating Handle Inside** (for Semi-Active Door)

Product Codes **1814, 1834, 1854, 18A4**



Product Codes **1824, 1844, 1864, 18B4**

