

A7700 & AF7700 Rim Type Panic and Fire Exit Devices (ADA) A7760V & AF7760V Vertical Rod Panic and Fire Exit Devices (ADA) ANSI A156.3, Grade 1



HURRICANE APPROVED HARDWARE
FLORIDA BUILDING CODE
FL 13922-R8
ASTM E2343-02 &
E1885-05 1995-08
FAS 201, USC 203-94
UL15C-09

HURRICANE APPROVED HARDWARE
TEXAS EVALUATION ID
DR-472
ASTM E2343-14
E1885-13a
E1885-14a

(FOR FIRE RATED RIM & VERTICAL ROD EXIT DEVICES ONLY)

Features & Construction

- ◆ **Retrofits Von Duprin 99 & 98 Series using 7700 Escutcheon Trim**
- ◆ Americans with Disability Act (ADA) compliant. 5lbs opening force on ADA product only
- ◆ For use in institutions, schools, universities, commercial buildings where heavy duty reliable operation is a requirement
- ◆ ANSI A156.3, Grade 1 heavy duty exit device in surface vertical rod and rim designs
- ◆ Rail assemblies are heavy duty extruded aluminum body with Stainless Steel push pad and end caps are made of brass, bronze or stainless steel. Rail travels in direction of the door swing
- ◆ Trims are thru-bolted for additional security
- ◆ Conforms & Meets ADA Regulations

- ◆ UL Listed for Panic and ULC10C, UBC 7-2-1997 codes
- ◆ UL Listed for Fire Exit Hardware. 3 hours
- ◆ (A) label rating on pairs of doors up to 8'0" x 8'0" swinging in same or opposite directions
- ◆ Uncompromising security and safety in single and double fire exit doors
- ◆ Chassis mounted unit construction. Rim and vertical rod devices are non-handed and easily reversible
- ◆ Available in many different functions. Lever and escutcheon trims are grade 1 construction with clutch on rose trims. Escutcheon trims are rigid and covers 161 cut out.

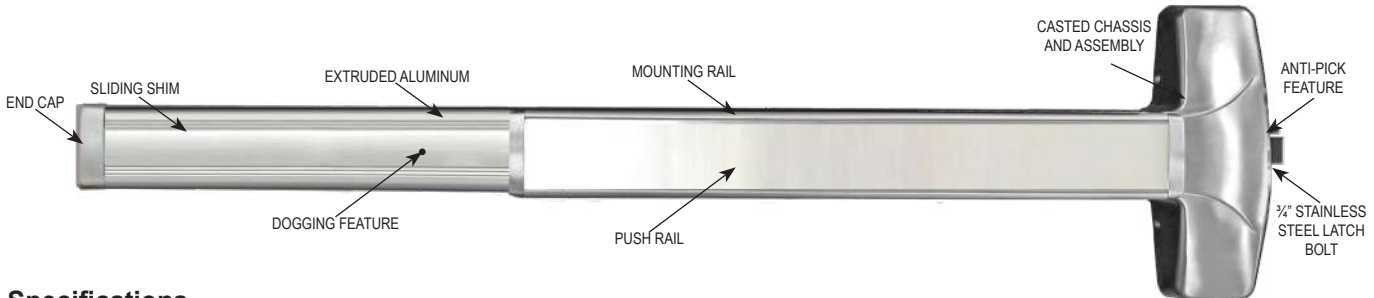
CONFIGURATION	MAX FRAME DIMENSIONS	LOCK TYPE	DESIGN PRESSURE (PSF) OUTSWING	
			POSITIVE	NEGATIVE
SINGLE	40" x 88"	F7700V SERIES F7700 SERIES	+70.0	-70.0
	52" x 98"		+50.0	-50.0
DOUBLE	76" x 88"	F7700V SERIES	+70.0	-70.0
	100" x 98"		+50.0	-50.0

Suggested Architect's Specifications

- ◆ All exit devices shall be of touch bar design with smooth operation and be operative over 2/3 of the door's clear opening width
- ◆ All exit devices must be listed under "Panic Hardware" in the Accident Equipment List of Underwriters' Laboratories, Inc. Where labeled doors are used as exits, they must be equipped with labeled Fire Exit Hardware and UL10C, UBC 7-2-1997 codes
- ◆ All springs shall be of Stainless Steel throughout
- ◆ All exit devices shall be of chassis mounted unit construction.
- ◆ All exit devices shall be ANSI A156.3, Grade 1

A7700 & AF7700 ADA Series

GRADE 1, Rim Type Exit Device



Specifications

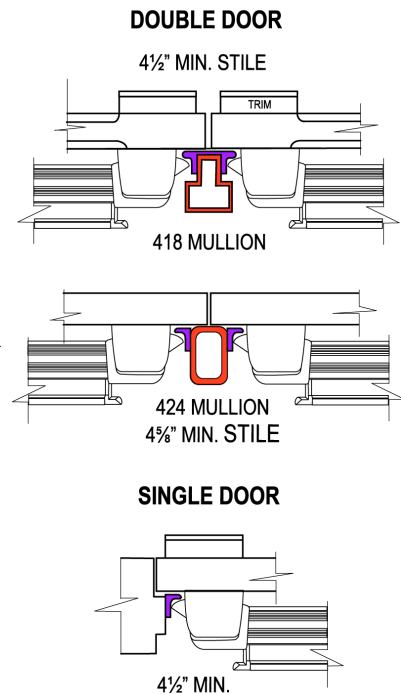
For Doors.....	1 3/4" thick standard optional 2 1/4" thick. 4 1/2" minimum stile width for single or double door application using standard 938 strike and pull lever, thumbpiece and escutcheon trims. 2 3/4" backset
Chassis.....	Non-ferrous Alloy (Panic Grade), Steel (Fire Grade)
Cover.....	Non-ferrous plated material. Covers stock hollow metal doors with 161 cut out
Mounting.....	Furnished with wood and machine screws. Available thru-bolts on request. Thru-bolts are included and standard packaging on fire rated devices
End Cap.....	Brass, Bronze or Stainless Steel construction
Alarm.....	Available. Prefix "NALRM" before MODEL #
Hand.....	Non-handed, center hub for 2 3/4" backset
Latch Bolt.....	Stainless Steel 3/4" throw with anti-pick feature
Spring.....	Stainless Steel throughout
ANSI Standard.....	A156.3, Grade 1
Rail Assembly.....	Heavy gauge extruded aluminum body with Stainless Steel push pad
Strike.....	938 packed standard (See strike page)
Dogging Feature.....	Allen-type key furnished standard on non-fire labeled devices
Mullion.....	Available
UL and ULC Listed.....	A7700 Series for panic. AF7700 Series for fire exit hardware for all types of 4' x 8' single doors and 8' x 8' double doors for up to 3 hour fire labeled installations. Conforms to standards UL10C and UBC 7-2-1997 codes
Finish.....	Architectural plated finishes
Electronic Functions.....	(ELR) Electrical Latch Retraction and RX & LX Signal Switch available
Anti-Microbial Coating.....	Available on US32D only. Use part # ANTB-EXIT



***Americans with Disability Act (ADA) compliant
5 lbs opening force on ADA Series only**

***Refer to the Price List for Stock Sizes and Finishes**

4 1/2" Minimum Stile Requirements



DIMENSIONS			
Touchbar height to finished floor	41" (1041 mm) at center		
Touchbar projection			
Neutral	3 5/8" (92 mm)		
Depressed	2 7/8" (73 mm)		
Center case	8 1/16" x 2 3/4" x 2 1/2" (205 mm x 70 mm x 63 mm)		
MODEL	ACTUAL LENGTH	MAX CUT DOWN	DOOR SIZE
A7700EO36, AF7700EO36	32"	6"	30" to 36" door width
A7720EO48, AF7720EO48	44"	10"	38" to 48" door width

A7760V & AF7760V ADA Series

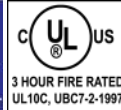
GRADE 1, Vertical Rod Type Exit Device



LIFETIME WARRANTY

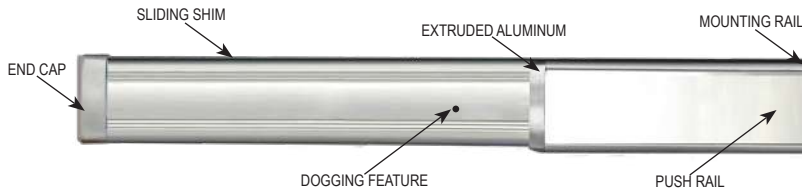
BHMA CERTIFIED
Be Safe. Be Secure. Look for the Mark.

MEETS
The Buy American Act



Specifications

- For Doors.....** 1 3/4" thick standard optional 2 1/4" thick. 3 3/4" minimum stile width required for single door application. 3 1/2" minimum stile width required for double door application. Lever, thumb piece and escutcheon trims available. 2 3/4" backset
- Top & Bottom Chassis.....** Non-ferrous Alloy (Panic Grade), Steel (Fire Grade)
- Cover.....** Non-ferrous plated material. Covers stock hollow metal doors with 161 cut out.
- Mounting.....** Furnished with wood and machine screws. **Thru-bolts are included and standard packaging on fire rated devices.**
- End Cap.....** Brass, Bronze or Stainless Steel construction
- Alarm.....** Available. Prefix "NALRM" before MODEL #
- Hand.....** Handed. Easily field reversible. Specify at time of order LHR, RHR for convenience



- Latch Bolt & Spring.....** Stainless Steel
- Spring.....** Stainless Steel throughout
- ANSI Standard.....** A156.3, Grade 1
- Rail Assembly.....** Heavy gauge extruded aluminum body with Stainless Steel push pad
- Strike.....** See strike page
- Dogging Feature.....** Allen-type key furnished standard on non-fire labeled devices
- UL and ULC Listed.....** A7760V Series for panic. AF7760V Series for fire exit hardware for all types of 8' x 10' double doors for up to 3 hour fire labeled installations. Conforms to standards UL10C and UBC 7-2-1997 codes
- Finish.....** Architectural plated finishes
- Electronic Functions.....** (ELR) Electrical Latch Retraction and RX & LX Signal Switch available
- Anti-Microbial Coating.....** Available on US32D only. Use part # ANT-B-EXIT

***Americans with Disability Act (ADA) compliant
5 lbs opening force on ADA Series only**

***Refer to the Price List for Stock Sizes and Finishes**

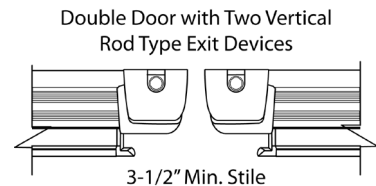


(FOR FIRE RATED RIM & VERTICAL ROD EXIT DEVICES ONLY)

DIMENSIONS

Touch bar height to finished floor	41" (1041 mm) at center
Touch bar projection	
Neutral	3 5/8" (92 mm)
Depressed	2 7/8" (73 mm)
Center case	8 1/16" x 2 3/4" x 2 1/2" (205 mm x 68 mm x 62 mm)
Panic grade top & bottom latch case	3 15/16" x 2 1/8" x 1 3/8" (100 mm x 52 mm x 42 mm)
Fire grade top latch case	3 15/16" x 2 9/16" x 2 1/16" (100 mm x 68 mm x 53 mm)
Fire grade bottom latch case	3 15/16" x 2 1/8" x 1 3/8" (100 mm x 52 mm x 42 mm)
Top and bottom rod length for 36" x 84" doors	Top rod 37 1/2" (955 mm), bottom rod 35 5/8" (905 mm)
Top and bottom rod length for 48" x 96" doors	Top rod 49 5/8" (1260 mm), bottom rod 35 5/8" (905 mm)
Vertical Rods	1/2" (13 mm) Round tubing

MINIMUM STILE REQUIREMENTS



MODEL	ACTUAL SIZE	MAXIMUM CUT DOWN	DOOR SIZE
A7760V3684, AF7760V3684, A7790V3696, AF7790V3696, A7750V36120, AF7750V36120	32"	6"	30" to 36" door width
A7780V4896, AF7780V4896, A7740V48120, AF7740V48120	44"	10"	38" to 48" door width

ALBR7760V & ALBRF7760V ADA Series

GRADE 1, Vertical Rod Exit Device Less Bottom Rod



LIFETIME WARRANTY

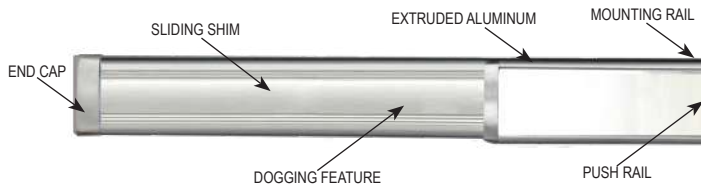
BHMA™
CERTIFIED
Be Safe. Be Secure. Look for the Mark.

MEETS
The Buy American Act

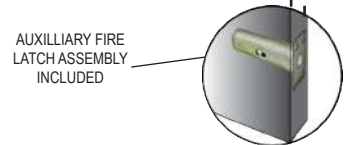


Specifications

<p>For Doors.....</p> <p>Top Chassis.....</p> <p>Cover.....</p> <p>Mounting.....</p> <p>End Cap.....</p> <p>Alarm.....</p>	<p>1 3/4" thick standard optional 2 1/4" thick. 3 3/4" minimum stile width required for single door application. 3 1/2" minimum stile width required for double door application. Lever, thumb piece and escutcheon trims available. 2 3/4" backset</p> <p>Non-ferrous Alloy (Panic Grade), Steel (Fire Grade)</p> <p>Non-ferrous plated material. Covers stock hollow metal doors with 161 cut out</p> <p>Furnished with wood and machine screws. Thru-bolts are included and standard packaging on fire rated devices</p> <p>Brass, Bronze or Stainless Steel construction</p> <p>Available. Prefix "NALRM" before MODEL #</p>
<p>Hand.....</p> <p>Latch Bolt & Spring.....</p> <p>Spring.....</p> <p>ANSI Standard.....</p> <p>Rail Assembly.....</p> <p>Strike.....</p> <p>Dogging Feature.....</p> <p>UL and ULC Listed.....</p> <p>Finish.....</p> <p>Electronic Functions.....</p> <p>Anti-Microbial Coating.....</p>	<p>Handed. Easily field reversible. Specify at time of order LHR, RHR for convenience</p> <p>Stainless Steel</p> <p>Stainless Steel throughout</p> <p>A156.3, Grade 1</p> <p>Heavy gauge extruded aluminum body with Stainless Steel push pad</p> <p>See strike page</p> <p>Allen-type key furnished standard on non-fire labeled devices</p> <p>A7760V Series for panic. AF7760V Series for fire exit hardware for all types of 8' x 8' double doors for up to 3 hour fire labeled installations. Conforms to standards UL10C and UBC 7-2-1997 codes</p> <p>Architectural plated finishes</p> <p>(ELR) Electrical Latch Retraction and RX & LX Signal Switch available</p> <p>Available on US32D only. Use part # ANTB-EXIT</p>



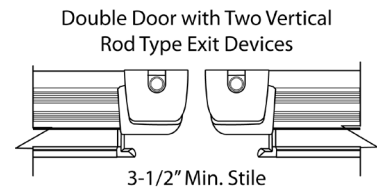
***Americans with Disability Act (ADA) compliant**
5 lbs opening force on ADA Series only
**Refer to the Price List for Stock Sizes and Finishes*



DIMENSIONS

Touch bar height to finished floor	41" (1041 mm) at center
Touch bar projection	
Neutral	3 5/8" (92 mm)
Depressed	2 7/8" (73 mm)
Center case	8 1/16" x 2 3/4" x 2 1/2" (205 mm x 68 mm x 62 mm)
Panic grade top & bottom latch case	3 15/16" x 2 1/8" x 1 3/8" (100 mm x 52 mm x 42 mm)
Fire grade top latch case	3 15/16" x 2 9/16" x 2 1/16" (100 mm x 68 mm x 53 mm)
Fire grade bottom latch case	3 15/16" x 2 1/8" x 1 3/8" (100 mm x 52 mm x 42 mm)
Top rod length for 36" x 84" doors	Top rod 37 1/2" (955 mm)
Top rod length for 48" x 96" doors	Top rod 49 5/8" (1260 mm)
Vertical Rods	1/2" (13 mm) Round tubing

MINIMUM STILE REQUIREMENTS

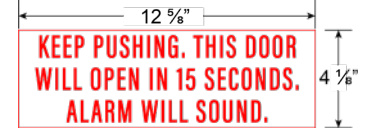
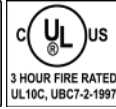


MODEL	ACTUAL SIZE	MAXIMUM CUT DOWN	DOOR SIZE
ALBR7760V3684, ALBRF7760V3684, ALBR7790V3696, ALBRF7790V3696, ALBR7750V36120	32"	6"	30" to 36" door width
ALBR7780V4896, ALBRF7780V4896, ALBR7740V48120	44"	10"	38" to 48" door width

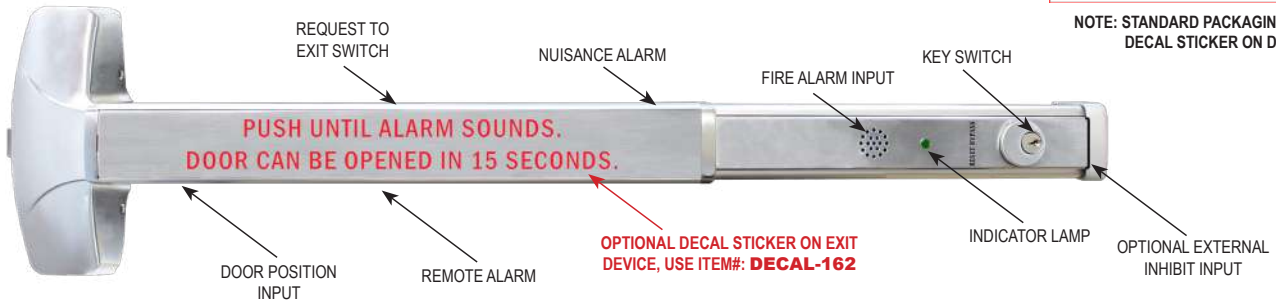
DE7700 Series

GRADE 1 Delayed Egress All in One Exit Device

ANSI BHMA A156.24 Delayed Egress Locking System Approved



NOTE: STANDARD PACKAGING INCLUDES DECAL STICKER ON DOOR.



FEATURES		
EGRESS DELAY	BUILT-IN ANNUNCIATION	CODE COMPLIANCE
<ul style="list-style-type: none"> All in One Device 15 or 30 second exit delay (Factory set to 15 secs) 1 or 2 second nuisance delay Alarm and Lock reset 1 to 30 second momentary bypass Sustained bypass 	<ul style="list-style-type: none"> Armed mode Nuisance mode Irreversible egress mode Release mode <i>Optional External Inhibit Input</i> Remote override Remote reset 	<ul style="list-style-type: none"> IFC International Fire Code IBC International Building Code NFPA 101 Life Safety Code NFPA 1 Uniform Fire Code California Building Code Field selectable automatic or manual power up after emergency release or power loss
CONTROL INPUTS	TRIGGER MODES	MONITORING OUTPUTS
<ul style="list-style-type: none"> 1 to 30 second request-to-exit and bypass input with anti-tailgate and jumper selectable door prop alarm Reset 	<ul style="list-style-type: none"> Egress Alarm triggered by Push Bar Trigger input from external device field selectable (N/O or N/C) 	<ul style="list-style-type: none"> Armed mode Nuisance mode Release status

MUST ORDER CR602RF or CR631RF POWER SUPPLY TO HONOR WARRANTY AND UL MARKING

APPLICATION	
<p>When unauthorized egress is initiated the device delays egress through the door for 15 seconds (or 30 seconds). Meanwhile, the person exiting must wait while personnel or security responds. The door unlocks after 15 seconds have elapsed permitting egress. When powered by a fire control supervised power supply, the lock will release immediately in an emergency.</p>	<p>FOR USE WITH: (FIRE AND NON-FIRE)</p> <ul style="list-style-type: none"> A7700, AF7700 Rim Exit Devices A7760V, AF7760V Surface Vertical Rod Exit Device¹ N-77CVR, N-F77CVR Concealed Vertical Rod Exit Device N-MR7700, N-FMR7700 Mortise Lock Rim Exit Device GLS7700 Narrow Stile Rim Exit Device (on 36" Only) GLSCVR7700, FGLSCVR7700 Narrow Stile Concealed Vertical Rod (on 36" Only) <p>¹Recommends use of rod and latch guards and strike monitor for surface vertical rods</p>

TECHNICAL SPECIFICATIONS	
<ul style="list-style-type: none"> 24V DC @ 430mA 24V DC @ 250mA Slave <p>Power Supply CR602RF 1 Amp / CR631RF 1.5 Amp</p>	<ul style="list-style-type: none"> Field selectable 12 or 24V DC, regulated and filtered Auto resetting output circuit protection Isolated 13.5 / 27V DC battery charger Low battery disconnect Emergency release input Field selectable UBC & California compliant manual power up Input, output and battery status LED's CR631RF - 16" x 14" x 6.5", CR602RF - 12" x 12" x 4" enclosure Choice of output and door control modules CR631RF - 1.5 Amp, CR602RF - 1.0 Amp Batteries not included
<p>CR631RF</p>	<p>CR602RF</p>

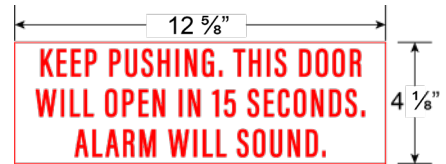
7700 Series Delayed Egress Models



GRADE 1 Delayed Egress All in One Exit Device

ANSI / BHMA A156.24 Delayed Egress Locking System Approved

For use in institutions, schools, universities, commercial buildings where heavy duty reliable operation is a requirement. 7700 Series Delayed Egress can also be used for fire exit hardware for all types of 4' x 8' single doors and 8' x 8' double doors for up to 3 hour fire labeled installations, it conforms to standards UL10C and UBC 7-2-1997 codes.



NOTE: STANDARD PACKAGING INCLUDES DECAL STICKER ON DOOR.

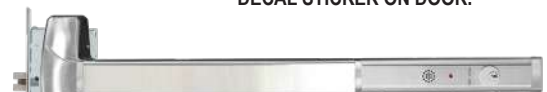


A7700, AF7700 Rim Panic Exit Devices



A7760V, AF7760V Surface Vertical Rod Exit Devices

To effectively use the surface vertical rod exit device, it is recommended that the rod and latch guards and monitor strike be used.



N-MR7700, N-FMR7700 Mortise Exit Devices

If a door position switch is not used, the outside trim will operate the door without affecting the armed setting of the device.



N-77CVR, N-F77CVR Concealed Vertical Rod Exit Devices



GLS7700 Narrow Stile Rim Exit Devices (36" ONLY)



*Optional Decal sticker for the Exit Device, specify item# "DECAL-162" when ordering.



GLSCVR7700, FGLSCVR7700 (36" ONLY) Narrow Stile Concealed Vertical Rod Exit Devices

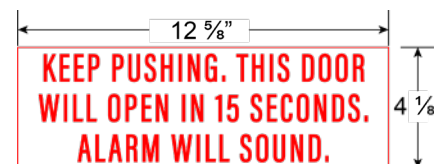
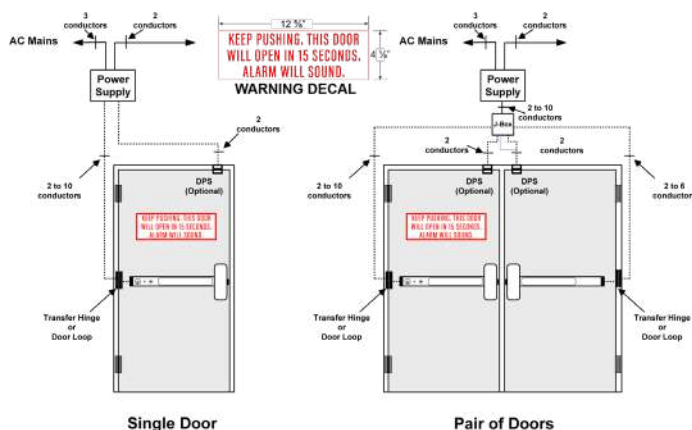
DELAYED EGRESS OPTION IS AVAILABLE ON ALL 7700 SERIES EXIT DEVICES (GLS7700 & GLSCVR7700 Narrow Stile Exit Devices on 36" Only. Must use DEKIT48.)

♦♦ NOTE: DEKIT IS INSTALLED ON THE EXIT DEVICE UPON ORDERING. ♦♦

Must Specify: 7700 Series ITEM # and DEKIT36 (for 36") or DEKIT48 (for 48") separately.

for Example: A7700EO36 US32D with Delayed Egress option,

ORDER: "A7700EO36 US32D" and "DEKIT36 US32D" as two line items.



NOTE: STANDARD PACKAGING INCLUDES DECAL STICKER ON DOOR.

MUST ORDER CR602RF OR CR631RF POWER SUPPLY TO HONOR WARRANTY AND UL MARKING

Alarm Exit Hardware



Rim Type Exit Devices

- | | |
|---------------|---------------------------------------|
| NALRMA770036 | Alarm Rim Type 36" Door (Panic Grade) |
| NALRMA772048 | Alarm Rim Type 48" Door (Panic Grade) |
| FNALRMA770036 | Alarm Rim Type 36" Door (Fire Grade) |
| FNALRMA772048 | Alarm Rim Type 48" Door (Fire Grade) |

Vertical Rod Type Exit Devices

Prefix "NALRM" before PART #

Features

- 1, 3, 5-minute and continuous alarm type settings available
- ON and OFF power switch
- Alarm sound frequency is 120 db
- Alarm unit has internal horn. When the push rail is depressed, the horn sounds to provide an audible means of signaling that the door has been opened and breached.
- The key switch to turn alarm off is a standard 1 1/4" cylinder with "C" keyway. The alarm operates on one standard 9-volt transistor battery. When battery is weak the horn will emit an intermittent signal.
- Alarmed units are supplied with a micro switch, which monitors the push rail and the latch bolt for foolproof security on rim devices.
- Alarm unit has a signal OC output that can be linked to external alarm control systems.
- Unit includes "EMERGENCY EXIT ONLY • ALARM WILL SOUND" decal for application on door or unit.

Cylinder Dogging Kit

TO ORDER: Prefix "CD" before PART #. Available for all 7700 Series devices except fire exit hardware.

KIT ONLY: use PART # 36CD7700 for 36" and 48CD7700 for 48" devices. Specify finish.

NOTE: Use PART # 48CD9800 for 36" GLS Narrow Stile Rim and CVR Non-Fire Exit Devices.



Finishes (Refer to Price List for Stock Finishes)

Cal-Royal	Description	BHMA	US Finish	Material
10B	Oil Rubbed Bronze	613	US10B	Bronze
32D	Satin Stainless	630	US32D	Stainless Steel

- (IC) INTERCHANGEABLE CORE: Interchangeable Core locks will accept compatible 6 or 7-Pin cores with BEST, FALCON and ARROW
- (ICSC) INTERCHANGEABLE CORE: Indicates function available with **Schlage Full Size Format** Interchangeable Core. Corbin, Sargent and Yale format also available.

Trim Selection

CLUTCH CYLINDRICAL LEVER



Non-Handed Grade 1 (Clutch Style)

Cylindrical body hardened steel heavy duty tailpiece. For 1 3/4" and 2 1/4" doors. Prefix "THI" before Part # for 2 1/4" door thickness.

Available for fire and non-fire rated rim and vertical rod exit devices. Rose diameter 3 1/2", lever length 4 3/4". Fits and covers 161 cutout.

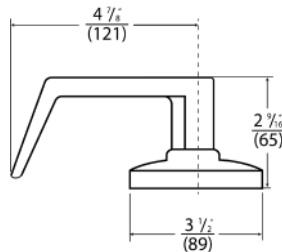
Finishes: US26D, US26, US3, US4, US10B, US10BE, US1

***GN DESIGN ONLY: ENT00L, ICENT00L, STR05L, ICSTR05L, PAS30L, DUM40L IN US32D FINISH, ALL STAINLESS STEEL EXTERIOR. INCLUDES GRADE 304SS LEVER AND ROSE**



GN DESIGN

Patented Clutch Freewheeling



- ENT00L or
- ICENT00L or
- ICSCENT00L4
- SARICENT00L (Sargent)
- RUSICENT00L (Corbin / Russwin)
- YALICENT00L (Yale)
- 8000K
- STR05L or
- ICSTR05L or
- ICSCSTR05L4
- SARICSTR05L (Sargent)
- RUSICSTR05L (Corbin / Russwin)
- YALICSTR05L (Yale)
- PAS30L
- DUM40L

- ENTRANCE**
Key locks and unlocks lever. Operates as CLASSROOM FUNCTION. ANSI Function (08)
- Ball Knob Keylock
- STOREROOM**
Key operates lever, otherwise always locked. ANSI Function (09)
- PASSAGE**
Trim always operable and free. ANSI Function (14)
- DUMMY**
Dummy trim. One sided ANSI Function (02)

KEYWAY: 6-Pin solid brass "C" keyway standard. Optional: Schlage E, Schlage C-K, Russwin D1-2-3-4, Corbin 59/60, Sargent LA-LB-LC, Falcon/Weiser E, Arrow A, Yale 8, Yale GA and Kwikset. Can also accept Medeco, Assa, Kaba and **Cal-Royal HSK** High Security Cylinders.

- (IC) **INTERCHANGEABLE CORE:** Interchangeable Core locks will accept compatible 6 or 7-Pin cores with **BEST, FALCON and ARROW.**
- (ICSC) **INTERCHANGEABLE CORE:** Indicates function available with **SCHLAGE, CORBIN/RUSSWIN, SARGENT and YALE Full Size Format** Interchangeable Core

KEYWAY	DESIGN	FUNCTION	FINISH
BEST, FALCON, & ARROW - SCHLAGE - CORBIN/RUSSWIN - SARGENT - YALE -	IC ICSC RUSIC SARIC YALIC	AT SPA TUB* AUG DAN LON TAC	ENT00L STR05L PAS30L DUM40L
HOW TO ORDER IN LFIC Example: ICSCENT00L4 US26D in "SPA" design is ICSCSPAENT00L4 US26D			

**Note: Yale LFIC is only available in GN, AT, SPA lever designs | TUB* is only available in SFIC.

Other Lever Trim Designs

- Available in SFIC & LFIC **AT**
- Available in SFIC & LFIC **SPA**
- Available in SFIC **TUB**
- Available in SFIC & LFIC **except YALE LFIC* **AUG**
- Available in SFIC & LFIC **except YALE LFIC* **DAN**
- Available in SFIC & LFIC **except YALE LFIC* **LON**
- Available in SFIC & LFIC **except YALE LFIC* **TAC**
- 8000K**

Anti-Microbial Coating available in US26D or US32D Only. Use part # "ANTB-TRIM" when ordering.

Trim Selection

RIGID LEVER ESCUTCHEON

CONSTRUCTION

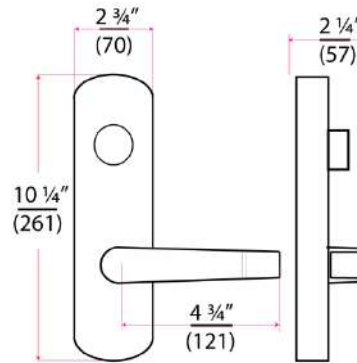
- Rigid, Non-Clutch Mechanism
- Double heavy duty spring support to prevent sagging and enhance operation
- Grade 1, thru-bolted design. Non-handed design.
- Hardened steel heavy duty tailpiece. Available for fire and non-fire rated rim and vertical rod exit devices
- Standard 6-Pin Schlage "C" Mortise Cylinder included

DOOR THICKNESS

Standard 1 3/4". For 2 1/4" thick door use additional Part # TAIL3

ESCUTCHEON DIMENSIONS

2 3/4" width x 10 1/4" length. Lever length: 4 3/4". Fits and covers 2 1/8" 161 cutout



Anti-Microbial Coating available in US26D Only. Use part # "ANTB-TRIM" when ordering.

Lever Trim Designs



ESC7700 or ICESC7700 or ICSCESC7700

ENTRANCE
Rigid Entrance, key locks or unlocks escutcheon trim ANSI Function (08) Operates as classroom function

ESC7705 or ICESC7705 or ICSCESC7705

STOREROOM
Rigid Storeroom, key unlocks lever, lever retracts latch bolt, otherwise always locked ANSI Function (09)

ESC7730

PASSAGE
Trim always operable and free ANSI Function (14)

ESC7740

DUMMY
Dummy Escutcheon trim ANSI Function (02)

TO ORDER other lever design insert "AT", "RL", "TUB", "LON", or "TAC" before "ESC": e.g. **ATEESC7700** for ESC7700 with AT design.

KEYWAY: 6-Pin solid brass "C" keyway Mortise Cylinder standard. Optional: Schlage E, Schlage C-K, Russwin D1-2-3-4, Corbin 59/60, Sargent LA-LB-LC, Falcon/Weiser E, Arrow A, Yale 8, Yale GA and Kwikset. Can also accept Medeco, Assa, Kaba and *Cal-Royal HSK* High Security Cylinders.

FOR ELECTRIFIED TRIM OPTIONS SEE PAGE 12

- **(IC) INTERCHANGEABLE CORE:** Interchangeable Core locks will accept compatible 6 or 7-Pin cores with BEST, FALCON and ARROW
- **(ICSC) INTERCHANGEABLE CORE:** Indicates function available with **Schlage Full Size Format** Interchangeable Core. Corbin, Sargent and Yale format also available.

Trim Selection



HEAVY DUTY STAINLESS STEEL CLUTCH LEVER ESCUTCHEON (High Frequency Abusive Situation such as Schools, Hospitals, Industrial / Institutional)

CONSTRUCTION

- Clutch mechanism
- Double heavy duty spring support to prevent sagging and enhance operation
- Grade 1, thru-bolted design. Non-handed design.
- All Stainless Steel heavy duty tailpiece.
Available for fire and non-fire rated rim and vertical rod exit devices
- Standard 6-Pin Schlage "C" Mortise Cylinder included

DOOR THICKNESS

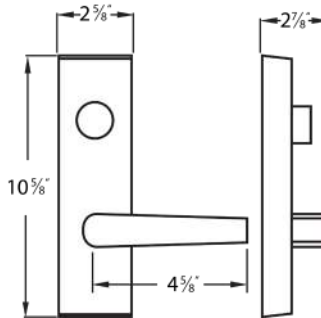
Standard 1 3/4" to 2".

For 2" or 2 1/2" thick door use additional Part # TAIL9

ESCUTCHEON DIMENSIONS

2 5/8" width x 10 5/8" length. Lever length: 4 5/8".

Fits and covers 2 1/8" 161 cutout



Lever Trim Designs



- HDESC-00 or
- Ⓜ ICHDESC-00
- Ⓜ ICSDHDESC-00
- HDTSESC-00
- Ⓜ ICHDTSESC-00
- Ⓜ ICSDHDTSESC-00

ENTRANCE

Clutch Entrance, key locks or unlocks escutcheon trim.
ANSI Function (08)
Operates as classroom function

- HDESC-05 or
- Ⓜ ICHDESC-05
- Ⓜ ICSDHDESC-05
- HDTSESC-05
- Ⓜ ICHDTSESC-05
- Ⓜ ICSDHDTSESC-05

STOREROOM

Clutch Storeroom, key unlocks lever, lever retracts latch bolt, otherwise always locked. ANSI Function (09)

- HDESC-30
- HDTSESC-30
- HDESC-40
- HDTSESC-40

PASSAGE

Trim always operable and free
ANSI Function (14)

DUMMY

Dummy Escutcheon trim
ANSI Function (02)

TO ORDER RL lever design, add "RL" after "HD" when ordering.

e.g. HDRLESC-00 for HDESC-00 with RL design.

KEYWAY: 6-Pin solid brass "C" keyway Mortise Cylinder standard. Optional: Schlage E, Schlage C-K, Russwin D1-2-3-4, Corbin 59/60, Sargent LA-LB-LC, Falcon/Weiser E, Arrow A, Yale 8, Yale GA and Kwikset. Can also accept Medeco, Assa, Kaba and **Cal-Royal HSK** High Security Cylinders.

Ⓜ (IC) **INTERCHANGEABLE CORE:** Interchangeable Core locks will accept compatible 6 or 7-Pin cores with BEST, FALCON and ARROW

Ⓜ (ICSC) **INTERCHANGEABLE CORE:** Indicates function available with **Schlage Full Size Format** Interchangeable Core. Corbin, Sargent and Yale format also available.

Anti-Microbial Coating available in US32D Only. Use part # "**ANTB-TRIM**" when ordering.

FOR ELECTRIFICATION OPTION: SPECIFY ITEM # UPON ORDERING
TO ORDER "RL" OR "TS" LEVER DESIGN, REPLACE "HD" WITH "RL" OR "TS".

ITEM#	DESCRIPTION
FS12HD	FAIL-SAFE (FS) OPTION 12V AC / DC
FS24HD	FAIL-SAFE (FS) OPTION 24V AC / DC
FSE12HD	FAIL-SECURE (FSE) OPTION 12V AC / DC
FSE24HD	FAIL-SECURE (FSE) OPTION 24V AC / DC

Trim Selection

PULL DESIGN

- 7700 NL
- ⊗ IC7700NL
- ⊗ ICSC7700NL

FOR RIM DEVICES ONLY

Outside by pull and key.
Key retracts latch bolt.
ANSI function (03)
Covers 161 cutout

KEYWAY

Standard 6-Pin solid brass "C" keyway Rim Cylinder included.

FINISHES

Architectural plated finishes.



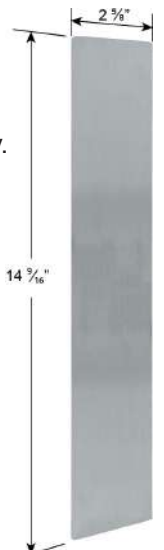
7700 DTP

Outside by pull only.
Pull when dogged.
ANSI function (02)
Covers 161 cutout.



7700 EOP

Outside by plate only.
ANSI function (01)
Covers 161 cutout



- 77TP00 or
- ⊗ IC77TP00
- ⊗ ICSC77TP00

ENTRANCE

Key locks or unlocks thumbpiece.
(Operates as classroom function)
ANSI Function (05)

- 77TP05 or
- ⊗ IC77TP05
- ⊗ ICSC77TP05

STOREROOM

Key unlocks thumbpiece, thumbpiece retracts latch bolt, otherwise always locked.
ANSI Function (06)

77TP30

PASSAGE

Trim always operable and free.
ANSI Function (15)

77TP40

DUMMY

Dummy trim. **Includes blank Mortise dummy cylinder.** One sided.
ANSI Function (02)

KEYED



DUMMY



KEYWAY: 6-Pin solid brass "C" keyway Mortise Cylinder standard. Optional: Schlage E, Schlage C-K, Russwin D1-2-3-4, Corbin 59/60, Sargent LA-LB-LC, Falcon/Weiser E, Arrow A, Yale 8, Yale GA and Kwikset. Can also accept Medeco, Assa, Kaba and **Cal-Royal HSK** High Security Cylinders.

⊗ (IC) INTERCHANGEABLE CORE

Interchangeable Core locks will accept compatible 6 or 7-Pin cores with BEST, FALCON and ARROW.

- ⊗ (ICSC) INTERCHANGEABLE CORE: Indicates function available with **Schlage Full Size Format** Interchangeable Core. Corbin, Sargent and Yale format also available.

FINISHES

Architectural plated finishes.

Electrified Lever Trim



Cal-Royal's electrified lever trim provides remote locking and unlocking capabilities using industry safety standards. The solenoid can be energized from a distant controller, thus allowing access control of the opening. The control of stairwells in high-rise buildings is a common application for this trim, where electric pullback of the exit device's latch bolt is cost prohibitive or not required. This is especially practical in applications where fire/life safety codes require a "fail-safe" condition which is not an option with electrified latch pullback devices. Because the current draw is quite low there is no need for a more expensive power supply to provide the surge current.

Features

- Continuous duty solenoids used to insure trouble-free operation
- Internally mounted solenoid to ease installation
(no special door prep required)
- No Hassle 3-year Warranty

Anti-Microbial Coating available in US26D Only. Use part # **"ANTB-TRIM"** when ordering.

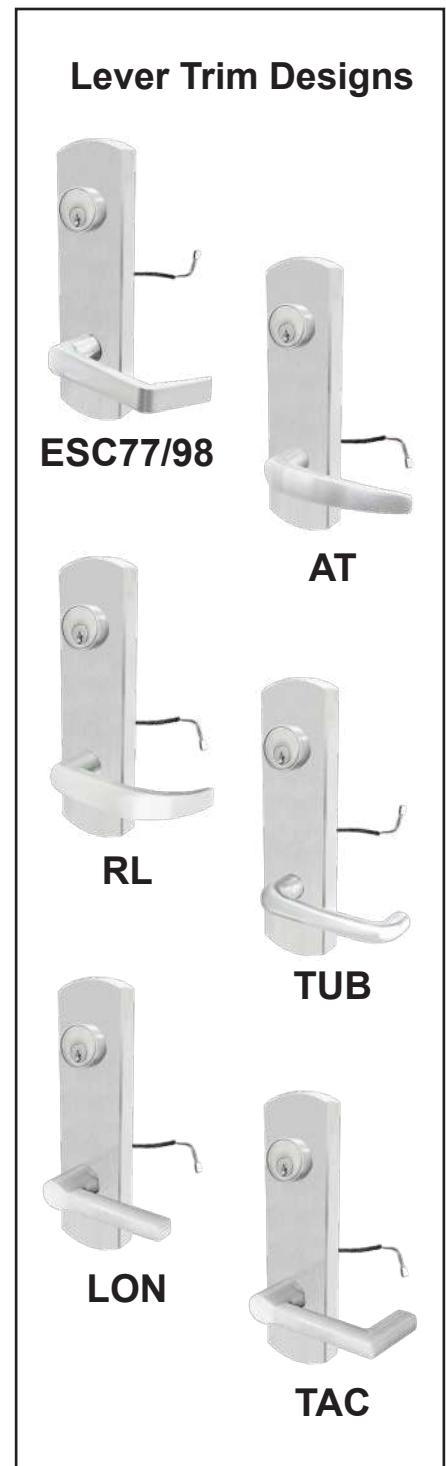
Specifications

Solenoid..... Continuous Duty
 Operating Voltage.... 11-30VDC / 10-24VAC
 Amperage..... 330mA @ 11V or 140mA @ 30V
 Coil Resistance..... 8.2 Ω
 Function..... available Fail Safe, Electrically Locked (**EL**) or Fail Secure, Electrically Unlocked (**EU**)

ITEM#	DESCRIPTION
ESC77/98-EL ⚙️ ICESC77/98-EL ⚙️ ICSCESC77/98-EL	EL (Electrically Locked, Fail Safe), Voltage: 11-30VDC / 10-24VAC
ESC77/98-EU ⚙️ ICESC77/98-EU ⚙️ ICSCESC77/98-EU	EU (Electrically Unlocked, Fail Secure), Voltage: 11-30VDC / 10-24VAC

TO ORDER other design, Insert: "AT", "RL", "TUB", "LON", or "TAC" before "ESC77/98". e.g. **ATESC77/98-EL** for ESC77/98-EL in AT design

- ⚙️ **(IC) INTERCHANGEABLE CORE:** Interchangeable Core locks will accept compatible 6 or 7-Pin cores with BEST, FALCON and ARROW
- ⚙️ **(ICSC) INTERCHANGEABLE CORE:** Indicates function available with **Schlage Full Size Format** Interchangeable Core. Corbin, Sargent and Yale format also available.



(ELR) Electric Latch Retraction



Our motor driven electrified latch pullback exit device allows for remote keyless access control in high occupancy / high traffic conditions where exit devices are required. Common applications include conditions such as hospitals, airports, schools, churches and they are commonly specified in applications that require automatic door openers. The device may be continuously energized allowing for a push / pull condition if desired.

Features:

- Available on 7700 Series, including rim, vertical rod, concealed vertical rod, mortise exit device, fire and non fire-rated devices
- MM4S Smart Module: On board diagnostics with audible feedback for adjustment and power issues
- “PTS” (Push to Set Technology): 5 second electronic adjustment for easy post installation adjustment
- Electric dogging rated for continuous duty - Auto retraction if dogged push pad is pulled from position
- Low Current Draw - Field switchable to “High Torque” mode
- Up to 300’ wire run with (2) 18ga wire - Long wire runs provides installer with convenience of placing the locking device power supply in a centralized location; i.e. the same closet as the access panel
- 8’ cable with Quick Connect for MM4S module to easily connect to power supply lead
- 3-year “No Hassle” warranty

Specifications:

- Voltage – 22 to 28V DC
- System protection – unit shutdown when voltage exceeds 28V DC
- Average In-rush Current – 900mA; Average Hold Current - 215mA
- PTS adjustment – approx. ¼”
- Wire run: 300’ with 18ga wire



**INSTALLED ON THE EXIT
DEVICE: USE FLR7700 ADD**

**FOR FIELD INSTALLATION
USE FLR7700 KIT**

To Order:

- **Must Specify: Exit Device item #** and **FLR7700 ADD** as two separate line items.
For Example: A7700EO36 US32D with ELR option, order “**A7700EO36 US32D**”, and “**FLR7700 ADD**” as two line items.
- ***Use FLR7700 KIT if ordered separately.**
- **Optional Switch (RX or LX)** is also available and should be added as a **3rd line item** as needed.

Note: When using electrified hinge, you must use prefix ELELRn + hinge item code, where “n” is equal to number of wires. For example: ELELR4 + BB31.

**MUST USE CRP POWER SUPPLIES TO
HONOR WARRANTY (see pages 95-96)**

Signal Switch RX and LX

RX (request to exit) signal switch is used to signal the use of an opening from the push side. When the push pad is depressed, the switch is activated. These devices are equipped with an internal SPDT (single pole double throw) switch that monitors the touch bar.

LX (latch bolt monitoring) signal switch monitors both egress and access of an opening. When the latch bolt is retracted, the switch is activated. These devices are equipped with an internal SPDT (single pole double throw) switch that monitors the latch bolt position.

LX and **RX** switches can be combined.

LX, RX switches can be used in combination with ELR (electric latch retraction) option.

Specifications

RX or **LX**.....Switch rated 0.5 amps @ 24V AC / DC resistive
Low current **RX** or **LX**.Switch rated 0.5 amps @ 24V AC / DC resistive

for Factory Installed. To Order, Specify:

- RX7700**.....Request to Exit switch for field installation
- LX7700**.....Latch bolt Monitoring switch for field installation
- LXR7700**.....Latch bolt Monitoring / Request to Exit Combination

Heavy Duty Digital Exit Trims



MECHANICAL CRCODE101

Features

- Heavy Duty
- Designed for 6600, 7700 and 9800 Series
- Grade 1 Rim and Surface Vertical Rod Exit Devices
- Single Code (up to 8000 code combinations)
- Weather-Resistant finish
- Code can be changed anytime without dismounting
- Full size, Non-Handed lever handle
- Easy Installation
- Reversible Handing

ELECTRONIC CRCODE007

Features

- Dual mode for code free entry either mechanically by key or electronically thru the keypad
- Designed for 6600, 7700 and 9800 Series Rim Exit Devices
- Can store up to 90 different numeric user codes in 4, 5 or 6 digits
- Settings remain in memory when batteries are removed
- Audible alarm sounds after 3 incorrect attempts
- Connections available for remote release switch and automatic lock activation when linked to Fire alarm system
- Can be used as STOREROOM or CLASSROOM function
- Factory default set as STOREROOM function
- Fast and easy programming via master code

CR5000 TRILOGY® KEYLESS EXIT TRIM

Features

- Clutch mechanism insures long life and durability
- Fingertip and / or Windows programmable
- 2000 User Codes: Master, manager, supervisor and users
- Real Time Clock for up to 40,000 Event Time / Date-Stamped Audit Trail
- Up to 500 Lock / Unlock Schedules (with Time Zone Support)
- Rugged 12-Button Metal Keypad
- Non-Handed; Fully Field Reversible
- Adaptable to most major manufacturers of standard RIM and IC RIM Cylinders
- Battery operated; uses 5 AA batteries
- Optional Interchangeable Core available with Best, Falcon & Arrow

MECHANICAL CRCODE204

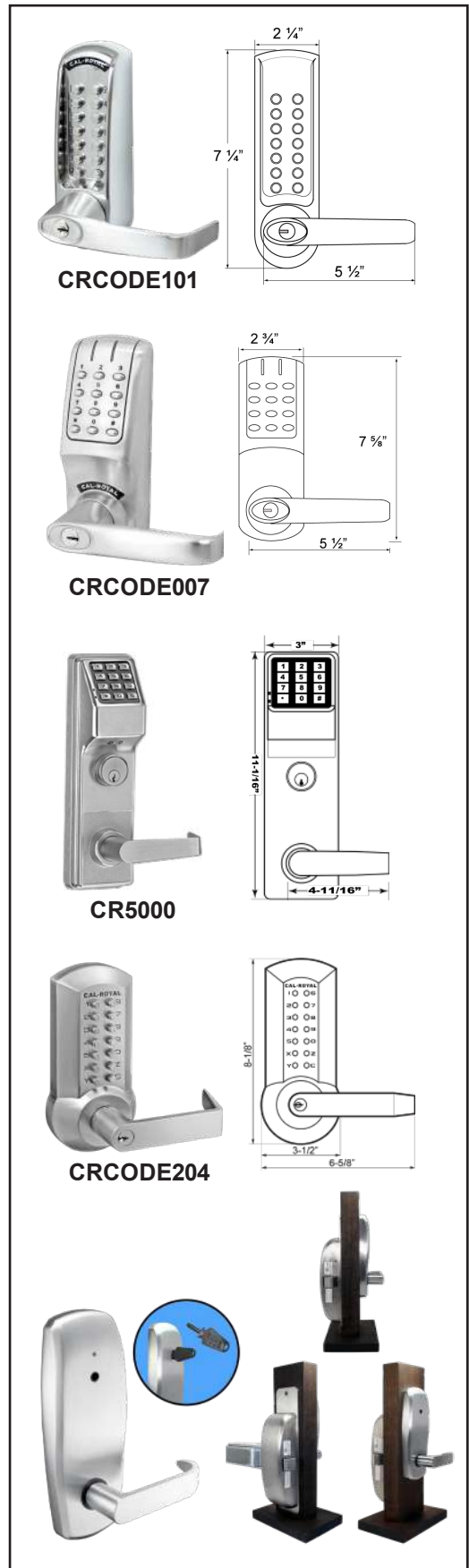
Features

- Breakaway Lever Design
- Easy On-Door Code Change
- Weather Resistant
- Code-Free Option (Passage)
- Non-Handed
- 1 - 12 digit Length Code
- Thousands of Possible Code Combinations
- Single Code User
- Applications: Offices, Schools, Hospitals, Apartments, Hotels / Motels, Residential, Commerical and Public Buildings
- Door Thickness: 1 3/4" - 2"

KABA® - Cal-Royal Combination

Cal-Royal's Exit hardware devices combined with Kaba InSync CP provide a variety of alternatives when addressing community access control. Recommended for applications such as controlling building entry openings, common area rooms and doors with exit devices. InSync CP are available as stand-alone battery operated door locks designed to work in conjunction with Cal-Royal's Exit Hardware Devices.

KABA InSync CP is not sold through CAL-ROYAL. For inquiries and information on InSync line of products please visit www.kabamultihousing.com



N-77CVR & N-F77CVR Series

Optional Less Bottom Rod (LBR)

Grade 1 Concealed Vertical Rod Exit Device for Wood & Metal Doors

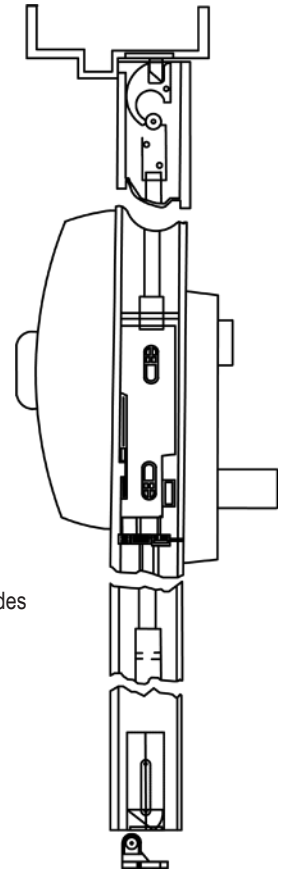


***Americans with Disability Act (ADA) compliant
5 lbs opening force on ADA Series only**

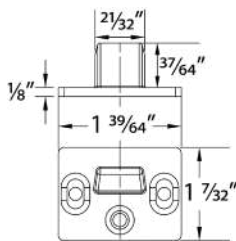
***Refer to the Price List for Stock Sizes and Finishes**

Specifications

LBR (Optional).....	No bottom strike. Free access for wheel chairs, stretchers and carts which eliminates tripping potential and disfiguration of floors due to dragging of bottom bolts.
For Doors.....	Wood or Metal. 1 3/4" (44.5 mm) minimum thickness 4 1/2" (114 mm) minimum stile width
Top & Bottom Chassis.....	Steel Material
Chassis Cover.....	Zinc Material
Mounting.....	Furnished standard with wood and machine screws
End Cap.....	Stainless Steel Construction
Hand.....	Handed. Easily field reversible. Specify at time of order LHR or RHR for convenience
ANSI Standard.....	A156.3, Grade 1
Strikes.....	N-260 & N-265 (Steel), 233 (Stainless Steel)
Fire Exit Hardware.....	N-F77CVR Series for fire exit hardware for all types of 8' x 10' double doors, LBR Series for fire exit hardware for all types of 8' x 10' double doors for up to 3 hour fire labeled installations. Conforms to standards UL10C and UBC 7-2-1997 codes
Rail Height.....	Specify door opening and mounting height of center line of rail when ordering a Vertical Rod Exit Device 41" from floor
Trim.....	See Trim Designs section
Electronic Functions.....	(ELR) Electrical Latch Retraction and RX & LX Signal Switch available
Alarm.....	Prefix "NALRM" before PART #
Dogging Feature.....	Cylinder dogging available for non-rated applications
Anti-Microbial Coating.....	Available on US32D only. Use part # ANTB-EXIT

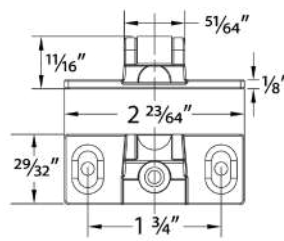


MODEL SIZE	ACTUAL LENGTH	MAX CUT DOWN	DOOR SIZE
N-77CVR3684, N-F77CVR3684, N-77CVR3696, N-F77CVR3696, N-77CVR36120, N-F77CVR36120	32"	6"	30" to 36" door width
N-77CVR4896, N-F77CVR4896, N-77CVR48120, N-F77CVR48120	44"	10"	36" to 48" door width



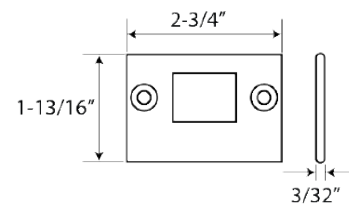
N-260 TOP STRIKE

- Surface Mount
- Steel Material



N-265 BOTTOM STRIKE

- Surface Mount
- Steel Material



233 BOTTOM STRIKE

- Flush Mounting Stainless Steel
- Furnished with expansion shields
- Mortised into floor

N-77CVR & N-F77CVR Series

Grade 1 Concealed Vertical Rod Exit Device for Wood & Metal Doors



Trim Selection

ESCUTCHEON LEVER DESIGN

CONSTRUCTION

- Rigid, Non-Clutch Mechanism
- Grade 1, thru-bolted design
- Non-Handed design

FINISHES

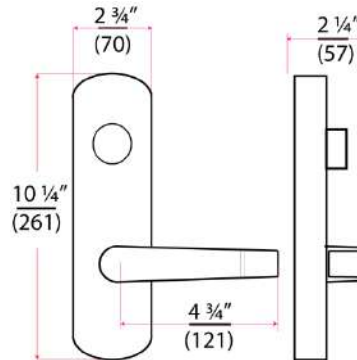
Architectural plated finishes

DOOR THICKNESS

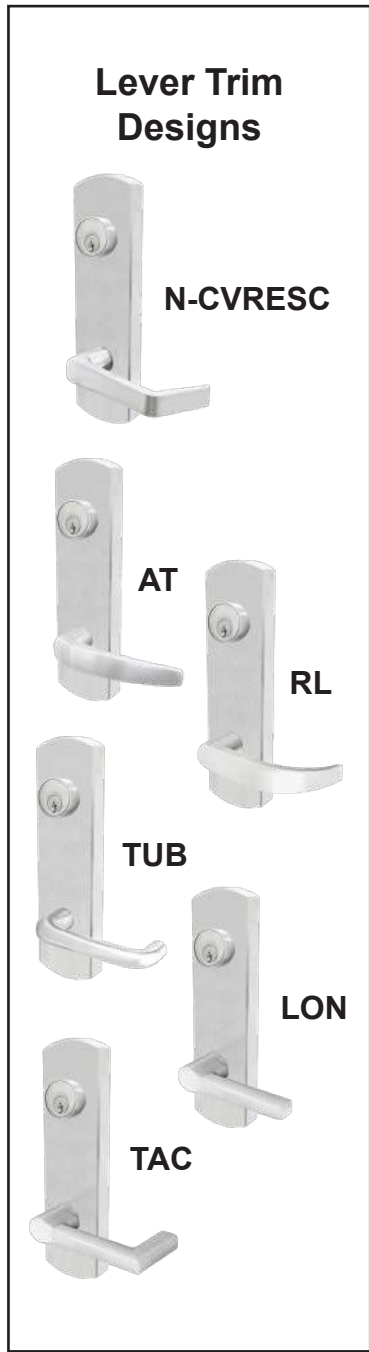
Standard 1 3/4"

ESCUTCHEON DIMENSIONS

2 3/4" width x 10 1/4" length. Lever length: 4 3/4".
Fits and covers 2 1/2" 161 cutout.



Anti-Microbial Coating available in US26D Only. Use part # "ANTB-TRIM" when ordering.



- N-CVRESC-00 or
- N-ICCVRESC-00 or
- N-ICSCCVRESC-00

ENTRANCE
Clutch Entrance, key locks or unlocks escutcheon trim. ANSI FUNCTION (08)
Operates as classroom function

- N-CVRESC-05 or
- N-ICCVRESC-05 or
- N-ICSCCVRESC-05

STOREROOM
Clutch Storeroom, key unlocks lever, lever retracts latch bolt, otherwise always locked, ANSI FUNCTION (09)

N-CVRESC30

PASSAGE
Trim always operable and free, ANSI FUNCTION (14)

N-CVRESC40

DUMMY
Dummy Escutcheon trim, ANSI FUNCTION (02)

KEYWAY: 6-Pin solid brass "C" keyway Mortise Cylinder standard.
Optional: Schlage E, Schlage C-K, Russwin D1-2-3-4, Corbin 59/60, Sargent LA-LB-LC, Falcon/Weiser E, Arrow A, Yale 8, Yale GA and Kwikset.
Can also accept Medeco, Assa, Kaba and **Cal-Royal HSK** High Security Cylinders.

- **(IC) INTERCHANGEABLE CORE:** Interchangeable Core locks will accept compatible 6 or 7-Pin cores with BEST, FALCON and ARROW
- **(ICSC) INTERCHANGEABLE CORE:** Indicates function available with **Schlage Full Size Format** Interchangeable Core. Corbin, Sargent and Yale format also available.

FOR ELECTRIFICATION OPTION:
SPECIFY ITEM # UPON ORDERING
TO ORDER OTHER LEVER DESIGN, ADD: "AT", "RL", "TUB",
"LON" OR "TAC" BEFORE "CVRESC" WHEN ORDERING.

ITEM#	DESCRIPTION
N-CVRESC-EL	EL (Electrically Locked, Fail Safe), Voltage 11-30VDC / 10-24VAC
N-CVRESC-EU	EU (Electrically Unlocked, Fail Secure), Voltage 11-30VDC / 10-24VAC

N-MR7700 & N-FMR7700 Series

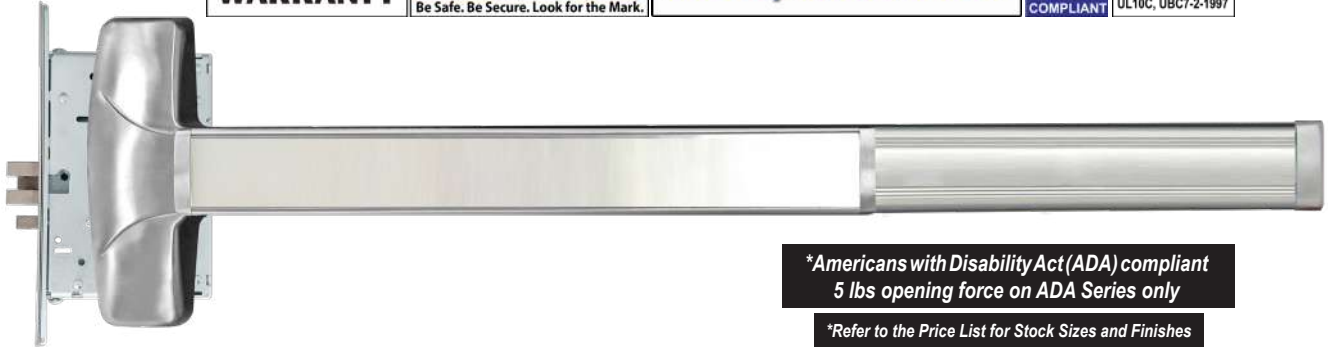
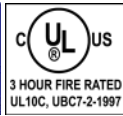


GRADE 1 Mortise Lock Exit Device

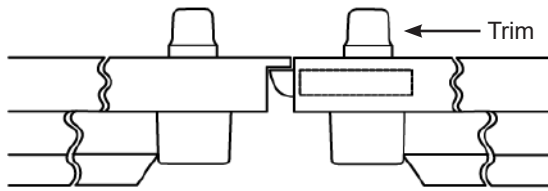
LIFETIME WARRANTY

BHMA CERTIFIED
Be Safe. Be Secure. Look for the Mark.

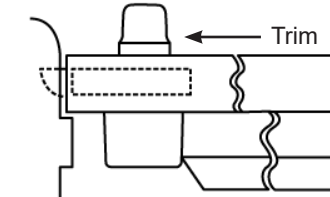
MEETS
The Buy American Act



***Americans with Disability Act (ADA) compliant
5 lbs opening force on ADA Series only**
**Refer to the Price List for Stock Sizes and Finishes*



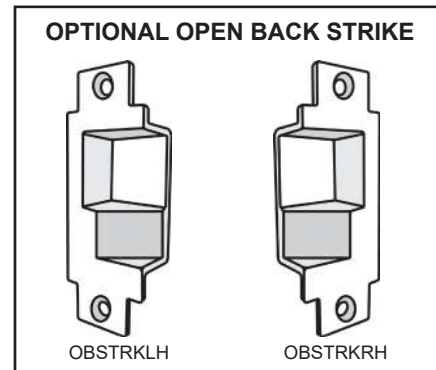
Pair of Doors



Single Doors

Specifications

For Doors.....	Wood / Metal 1 3/4" (44.5 mm) minimum thickness 4 1/2" (114 mm) minimum stile width
Mortise Lock Case.....	Steel
Head Chassis.....	Aluminum
Chassis Cover.....	Zinc Material
Mounting.....	Furnished standard with wood and machine screws
End Cap.....	Aluminum
Handing.....	Handed. Easily Field Reversible. Specify RHR or LHR for convenience
ANSI Standard.....	A156.3, Grade 1
Strikes.....	Standard ANSI Strike (Stainless Steel)
Fire Exit Hardware.....	N-FMR7700 Series for fire exit hardware for all types of 8' x 8' double doors for up to 3 hour fire labeled installations. Conforms to standards UL10C and UBC 7-2-1997 codes.
Mortise Lock.....	Grade (1) for 1 3/4" (44.5mm) thick doors. Handed, Field Reversible. Specify RHR or LHR. Fits door prepared for ANSI Standard A115.1
Trim.....	See Trim Designs section
Electronic Functions.....	(ELR) Electrical Latch Retraction and RX & LX Signal Switch available
Alarm.....	Prefix "NALRM" before PART #
Dogging Feature.....	Cylinder dogging available for non-fire rated applications
Anti-Microbial Coating.....	Available on US32D only. Use part # ANTB-EXIT



MODEL SIZE	ACTUAL LENGTH	MAX CUT DOWN	DOOR SIZE
N-MR7700EO36, N-FMR7700EO36 N-MR7705EO36, N-FMR7705EO36	32"	6"	30" to 36" door width
N-MR7700EO48, N-FMR7700EO48 N-MR7705EO48, N-FMR7705EO48	44"	12"	36" to 48" door width

N-MR7700 & N-FMR7700 Series

GRADE 1 Mortise Lock Exit Device



Trim Selection

ESCUTCHEON LEVER DESIGN

FINISHES

Architectural plated finishes

DOOR THICKNESS

Standard 1 3/4"

HANDING

Non-Handed Trim

ESCUTCHEON DIMENSIONS

2" width x 8 1/2" length.

Lever length: 4 3/4".



IMPORTANT: N-MR7700 & N-FMR7700 Exit Device comes standard with Mortise Lockcase. (TRIMS SOLD SEPARATELY)

- N-MRESC-00 or
- N-MRESC-00TS or
- N-ICMRESC-00 or
- N-ICSCMRESC-00
- N-ICMRESC-00TS

ENTRANCE

Key locks or unlocks lever
Operates as classroom function
ANSI FUNCTION (08)

- N-MRESC-05 or
- N-MRESC-05TS or
- N-ICMRESC-05 or
- N-ICSCMRESC-05 or
- N-ICMRESC-05TS

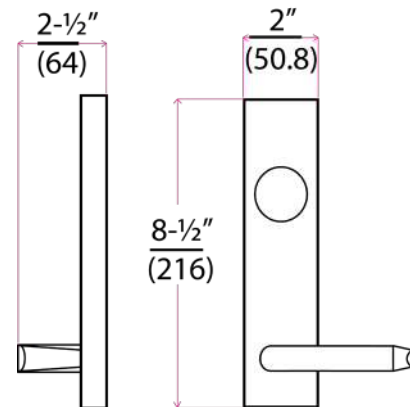
STOREROOM

Key retracts latch bolt, otherwise always locked
ANSI FUNCTION (09)
**MUST USE N-MR7705EO36/48 Mortise Rim Exit*

- N-MRESC-30
- N-MRESC-30TS

PASSAGE

Trim always operable and free
ANSI FUNCTION (14)
**MUST USE N-MR7705EO36/48 Mortise Rim Exit*



Anti-Microbial Coating available in US26D Only. Use part # **"ANTB-TRIM"** when ordering.

KEYWAY: 6-Pin solid brass "C" keyway Mortise Cylinder standard. Optional: Schlage E, Schlage C-K, Russwin D1-2-3-4, Corbin 59/60, Sargent LA-LB-LC, Falcon/Weiser E, Arrow A, Yale 8, Yale GA and Kwikset. Can also accept Medeco, Assa, Kaba and **Cal-Royal HSK** High Security Cylinders.

- **(IC) INTERCHANGEABLE CORE:** Interchangeable Core locks will accept compatible 6 or 7-Pin cores with BEST, FALCON and ARROW
- **(ICSC) INTERCHANGEABLE CORE:** Indicates function available with **Schlage Full Size Format** Interchangeable Core. Corbin, Sargent and Yale format also available.

**MORTISE LOCK CASE ELECTRIFICATION OPTION:
SPECIFY ITEM# UPON ORDERING**

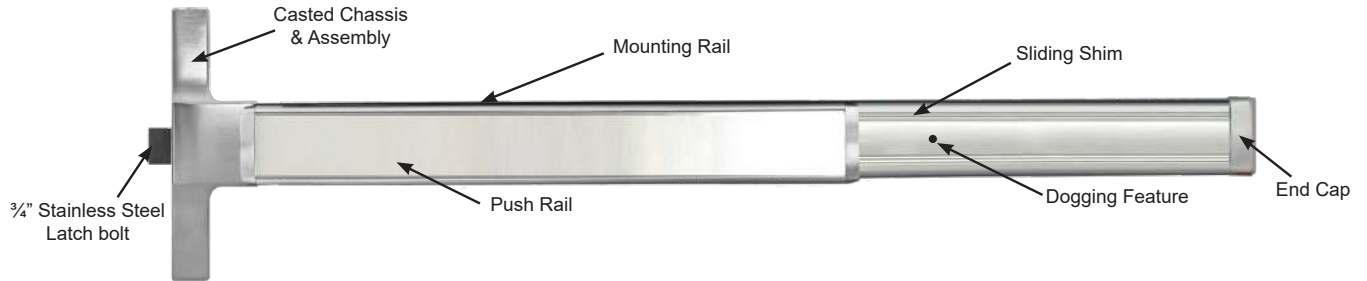
(MORTISE LOCK CASE COMES STANDARD WITH EXIT DEVICE)

ITEM#	DESCRIPTION
N-MR-EL	EL (Electrically Locked, Fail Safe), Voltage 11-30VDC / 10-24VAC
N-MR-EU	EU (Electrically Unlocked, Fail Secure), Voltage 11-30VDC / 10-24VAC

**Must be used with N-MRESC Trim.*

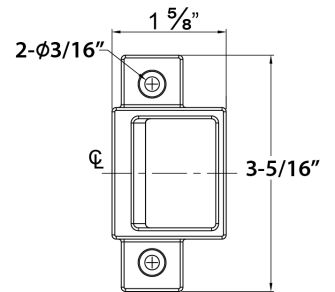
GLS7700 & FGLS7700 Series

GRADE 1 Rim Type Narrow Stile Exit Device

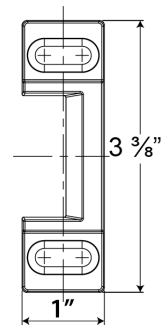


Specifications

For Doors.....	Wood, Metal or Aluminum Glass doors with 1 3/4" minimum stile width, 1 3/4" thickness for single or double door application
Chassis.....	Non-ferrous Alloy (Panic Grade)
Cover.....	Non-ferrous plated material.
Mounting.....	Furnished with wood and machine screws. Thru-bolts available upon request.
End Cap.....	Brass, Bronze or Stainless Steel construction
Alarm.....	Available for 36" bar only. Prefix "NALRM" before PART #
Hand.....	Non-handed
Latch Bolt.....	Stainless Steel 3/4" throw
Spring.....	Stainless Steel throughout
ANSI Standard.....	A156.3, Grade 1
Rail Assembly.....	Heavy gauge extruded aluminum body with Stainless Steel push pad
Strike.....	246 packed standard. Optional 247 strike. (See strike page)
Dogging Feature.....	Available for 36" bar only. Allen-type key furnished standard.
Mullion.....	Available
UL and ULC Listed.....	GLS7700 Series for Panic & Safety for all types of 4' x 8' single doors and 8' x 8' double doors. FGLS7700 Series for all types of 4' x 8' single doors for up to 3 hour fire labeled installations. Conforms to UL10C and UBC7-2-1997 codes.
Finish.....	Architectural plated finishes
Electronic Functions.....	(ELR) Electrical Latch Retraction and RX & LX Signal Switch available
Anti-Microbial Coating.....	Available on US32D only. Use part # ANTB-EXIT



246 STRIKE



247 STRIKE (OPTIONAL)

DIMENSIONS

Push Rail height to finished floor	41" (1041 mm) at center		
Push Rail projection			
Neutral	3 5/8" (92 mm)		
Depressed	2 7/8" (73 mm)		
Center case	8 1/16" x 1 1/8" x 2 3/8" (205 mm x 29 mm x 60 mm)		
MODEL	ACTUAL LENGTH	MAX CUT DOWN	DOOR SIZE
GLS7700EO36, FGLS7700EO36	34 9/64"	10"	26" to 36" width
GLS7700EO48, FGLS7700EO48	45 29/32"	12"	36" to 48" width

GLSCVR7700 & FGLSCVR7700 Series



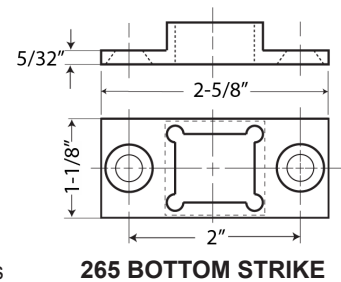
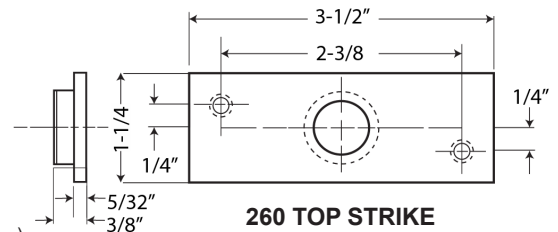
GRADE 1 Concealed Vertical Type, Narrow Stile Exit Device
Optional Less Bottom Rod (LBR)



LIFETIME WARRANTY	BHMA™ CERTIFIED Be Safe. Be Secure. Look for the Mark.	MEETS The Buy American Act	UL US PANIC & SAFETY	UL US 3 HOUR FIRE RATED UL10C, UBC7-2-1997
--------------------------	--	-----------------------------------	--------------------------------	---

Specifications

For Doors.....	Metal or Aluminum Glass doors with 1 3/4" minimum stile width, 1 3/4" thickness for single or double door application
Top Chassis.....	Non-ferrous Alloy (Panic Grade)
Cover.....	Non-ferrous plated material
Mounting.....	Furnished with wood and machine screws
End Cap.....	Brass, Bronze or Stainless Steel construction
Hand.....	Handed. Specify RHR or LHR
Top and Bottom Bolts.....	Stainless Steel. Top and bottom bolt travel 7/16" (11 mm) Stainless Steel. Adjustable to 1" (25 mm)
Spring.....	Stainless Steel throughout
ANSI Standard.....	A156.3, Grade 1
Rail Assembly.....	Heavy gauge extruded aluminum body with Stainless Steel push pad
Strike.....	260 Top and 265 Bottom strikes packed standard (See strike page)
Dogging Feature.....	Available for 36" bar only. Allen-type key furnished standard.
Mullion.....	Available
UL and ULC Listed.....	GLSCVR7700 Series for Panic & Safety for all types of 4' x 8' single doors and 8' x 8' double doors for Panic & Safety. FGLSCVR7700 Series for all types of 4' x 8' single doors for up to 3 hour fire labelled installations. Conforms to standards UL10C and UBC 7-2-1997 codes.
Finish.....	Architectural plated finishes
Electronic Functions.....	(ELR) Electrical Latch Retraction and RX & LX Signal Switch available
Anti-Microbial Coating.....	Available on US32D only. Use part # ANTB-EXIT



DIMENSIONS

Push Rail height to finished floor	41" (1041 mm) at center
Push Rail projection	
Neutral	3 5/8" (92 mm)
Depressed	2 7/8" (73 mm)

Center case	8 1/16" x 1 1/8" x 2 3/8" (205 mm x 29 mm x 60 mm)
--------------------	--

MODEL	ACTUAL LENGTH	MAX CUT DOWN	DOOR SIZE
GLSCVR773684, FGLSCVR773684	34 9/64"	10"	26" to 36" width
GLSCVR774884	45 29/32"	12"	36" to 48" width

Trim Selection

ESCUTCHEON LEVER DESIGN



CONSTRUCTION

- Free-wheeling clutch mechanism.
- Grade 1, thru-bolted design. Reversible design
- Hardened steel heavy duty tailpiece.
- Available for rim and concealed vertical rod exit devices

DOOR THICKNESS

Standard 1 3/4"

ESCUTCHEON DIMENSIONS

1 13/16" width X 8" length

Lever length: 5"



- GLSRIM9800**
- GLSCVR9800**
- ⌘ **ICGLSRIM9800**
- ⌘ **ICSCGLSRIM9800**
- ⌘ **ICGLSCVR9800**
- ⌘ **ICSCGLSCVR9800**

ENTRANCE

Clutch free-wheeling Entrance, key locks or unlocks escutcheon trim ANSI Function (08) Operates as classroom function
CVR is used for Concealed Vertical Rod Exit Device
RIM is used for Rim Type Exit Device

- GLSRIM9805**
- GLSCVR9805**
- ⌘ **ICGLSRIM9805**
- ⌘ **ICSCGLSRIM9805**
- ⌘ **ICGLSCVR9805**
- ⌘ **ICSCGLSCVR9805**

STOREROOM

Clutch free-wheeling Storeroom, key unlocks lever, lever retracts latch bolt, otherwise always locked.
 ANSI Function (09)
CVR is used for Concealed Vertical Rod Exit Device
RIM is used for Rim Type Exit Device

- GLSRIM9830**
- GLSCVR9830**

PASSAGE

Trim always operable and free
 ANSI Function (14)
CVR is used for Concealed Vertical Rod Exit Device
RIM is used for Rim Type Exit Device

- GLSRIM9840**
- GLSCVR9840**

DUMMY

Dummy Escutcheon trim ANSI Function (02)
CVR is used for Concealed Vertical Rod Exit Device
RIM is used for Rim Type Exit Device

IMPORTANT: GLS9800 and GLSCVR9800 Trims can be used with GLS7700 and GLSCVR7700 Exit Devices

NOTES:

- AT, RL, TUB lever design is available upon request.
- **ELECTRIFICATION NOT AVAILABLE FOR TRIM**
- Electrical Latch Retraction (ELR), Request to Exit (RX) and Latchbolt Monitoring (LX) available for Exit Device only.
- Anti-Microbial Coating available in US26D Only. Use part # **"ANTB-TRIM"** when ordering.

KEYWAY: 6-Pin solid brass "C" keyway Rim Cylinder standard. Optional: Schlage E, Schlage C-K, Russwin D1-2-3-4, Corbin 59/60, Sargent LA-LB-LC, Falcon/Weiser E, Arrow A, Yale 8, Yale GA and Kwikset. Can also accept Medeco, Assa, Kaba and **Cal-Royal HSK** High Secity Cylinders.

⌘ **(IC) INTERCHANGEABLE CORE:** Interchangeable Core locks will accept compatible 6 or 7-Pin cores with BEST, FALCON and ARROW

⌘ **(ICSC) INTERCHANGEABLE CORE:** Indicates function available with **Schlage Full Size Format** Interchangeable Core. Corbin, Sargent and Yale format also available.

Trim Selection

PULL DESIGN - FOR GLS7700 RIM EXIT DEVICE ONLY



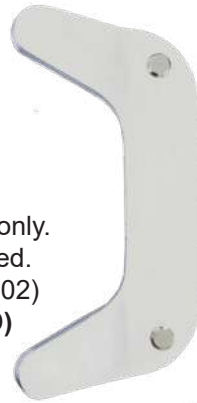
98GLSNL
IC98GLSNL
ICSC98GLSNL

Outside by pull and key.
 Key retracts latch bolt.
 ANSI Function (03)
(SPECIFY HANDING)



98GLSUP

Outside by pull only.
 Pull when dogged.
 ANSI Function (02)
(NON-HANDED)



GLSRIMEOP

Outside cover plate
 only.
ANSI Function (01)

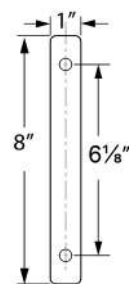
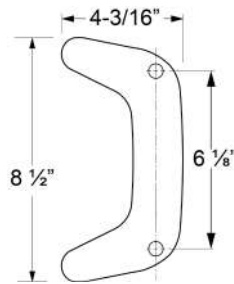
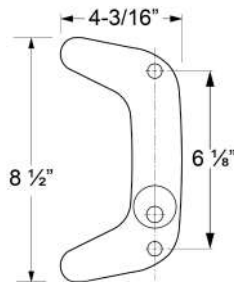


KEYWAY

Standard 6-Pin solid brass "C"
 keyway Rim Cylinder included.

FINISHES

Architectural plated finishes.



IMPORTANT: GLS9800 and GLSCVR9800 Trims can be used with GLS7700 & GLSCVR7700 Exit Devices



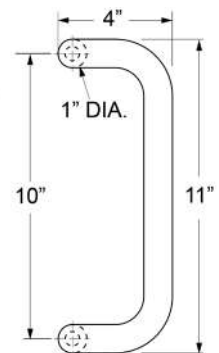
98GLSCYL-1



IC98GLSCYL-1
ICSC98GLSCYL-1



OFSTPUL-10
(REVERSIBLE)



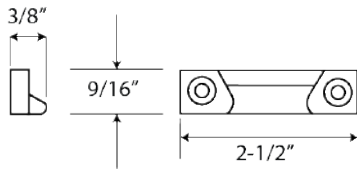
KEYWAY: 6-Pin solid brass "C" keyway Rim Cylinder standard. Optional: Schlage E, Schlage C-K, Russwin D1-2-3-4, Corbin 59/60, Sargent LA-LB-LC, Falcon/Weiser E, Arrow A, Yale 8, Yale GA and Kwikset. Can also accept Medeco, Assa, Kaba and **Cal-Royal HSK** High Security Cylinders.

- (IC) INTERCHANGEABLE CORE:** Interchangeable Core locks will accept compatible 6 or 7-Pin cores with BEST, FALCON and ARROW
- (ICSC) INTERCHANGEABLE CORE:** Indicates function available with **Schlage Full Size Format** Interchangeable Core. Corbin, Sargent and Yale format also available.

Strikes & Accessories

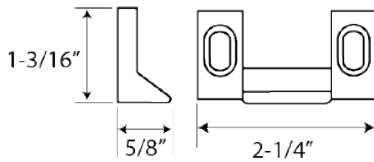


Strikes for use with A9860V Vertical Rod Exit Device All strikes are black nylon coated



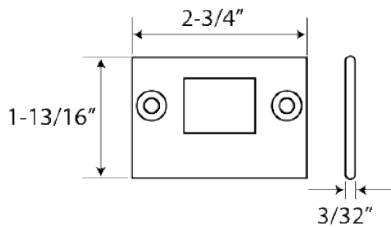
221

Standard for A7760V. Applied to surface of floor or to a flat threshold. Standard packaging.



227

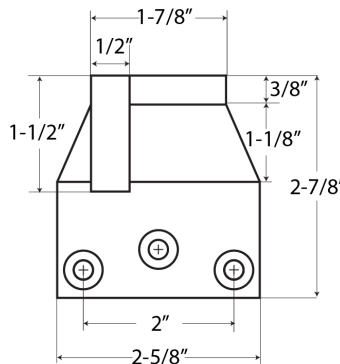
Applied to surface of stop. No mortise required. Standard packaging.



233

Bottom strike. Alternate bottom strike. Flush mounting stainless steel. Furnished with expansion shields. Requires mortise in the floor.

Overlapping Strikes



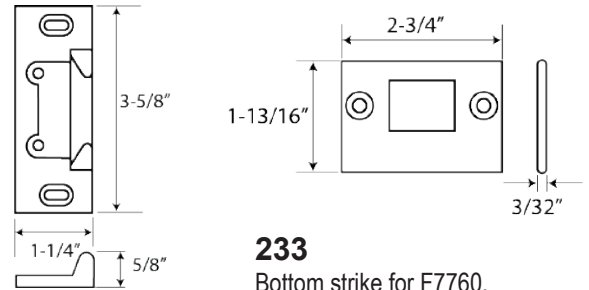
951

Surface applied. Used on inactive leaf for device on active leaf of pair of doors without mullion.

Additional Rods

Vertical rod for 10 feet high doors available on non-fire rated vertical rod devices only. Use Part # VRRD10.

Strikes for use with A7760V Vertical Rod Fire Exit Device



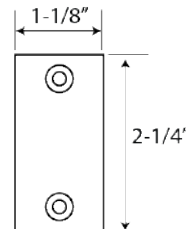
233

Bottom strike for F7760. Flush mounting stainless steel. Furnished with expansion shields. Requires mortise in the floor. Standard packaging.

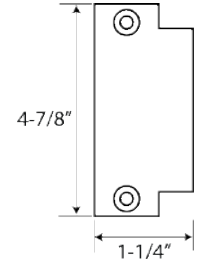
245

Surface applied for F7760. Standard packaging.

Additional Accessories

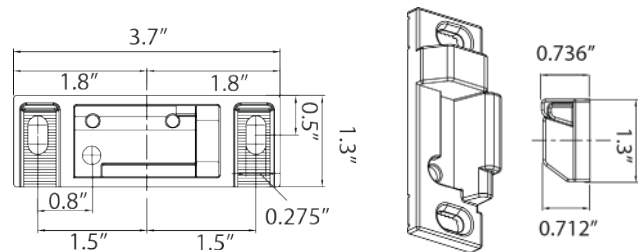


LFF
Lock front filler



SF
Strike filler

Strikes for use with A7700 Rim Type Exit Device



938

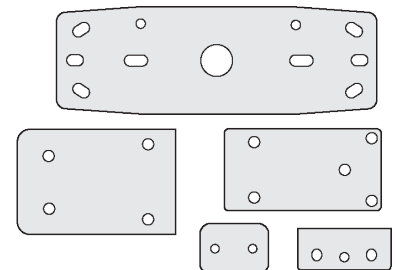
for A7700 surface applied. Standard packaging.

GLASS BEAD SHIM KITS

901 – For rim type, 1/8" thick

906 – For vertical type, 1/8" thick

912 – For fire rated type, 1/8" thick



Fire Exit Hardware Selector



FIRE EXIT HARDWARE RATING			UL DOOR RATING
APPLICATION	MODEL #	MAXIMUM DOOR OPENING	(A) 3 HOUR
SINGLE DOORS Rim type	AF7700EO36 AF7720EO48	4'0" X 8'0"	✓
PAIRS OF DOORS Two surface mounted standard vertical rod type or less bottom rod (LBR) application. Prefix LBR before Part # a) Swinging in same direction b) Swinging in opposite direction (double egress)	AF7760V3684 X AF7760V3684	8'0" X 7'2"	✓
	AF7790V3696 X AF7790V3696 AF7780V4896 X AF7780V4896	8'0" X 8'0"	✓
PAIRS OF DOORS Two rim type with Mullion	AF7700EO36 AF7720EO48	8'0" X 8'0"	✓

All fire rated exit devices in all applications, are also labeled for (B) 1 ½ hour, (C) ¾ hour, (D) 1 hour, (E) ¾ hour.
All fire exit hardware meet UL10C and UBC 7-2-1997 codes.

HOW TO ORDER INFORMATION

Exit device model number

Panic grade

A7700 EO36 Rim type 36" door
A7720 EO48 Rim type 48" door
A7760 V3684 Vertical rod type 36" x 84"
A7790 V3696 Vertical rod type 36" x 96"
A7780 V4896 Vertical rod type 48" x 96"
VRRD10 – Rod for 10' non-rated door
A7750 V36120 Vertical rod type 36" x 120"
A7740 V48120 Vertical rod type 48" x 120"

Fire grade

AF7700 EO36 Rim type 36" door
AF7720 EO48 Rim type 48" door
AF7760 V3684 Vertical rod type 36" x 84"
AF7790 V3696 Vertical rod type 36" x 96"
AF7780 V4896 Vertical rod type 48" x 96"
AF7750 V36120 Vertical rod type 36" x 120"
AF7740 V48120 Vertical rod type 48" x 120"

- 1) Specify exit device model number according to size of door.
- 2) Specify trim selection. For Interchangeable Core prefix "IC" before Part #. See trim selection pages.
- 3) For vertical rod devices specify LHR (Left Hand Reverse) or RHR (Right Hand Reverse) for convenience easily field reversible, otherwise shipped as LHR.
- 4) Specify finish: US10B, US32D
- 5) On thru-bolt applications, fire rated vertical rod devices are packed with thru-bolts as standard feature. Thru-bolts are also available for other devices. To order thru-bolts add "SBN" to trim pack.

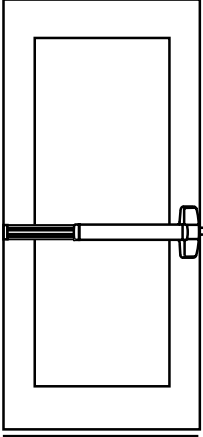
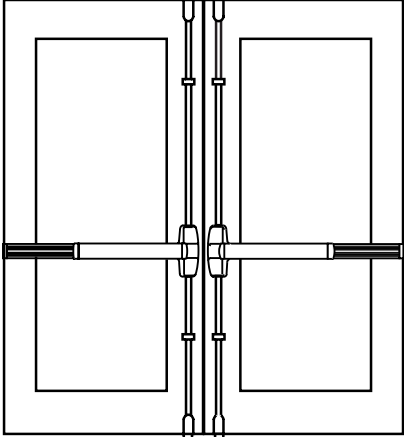
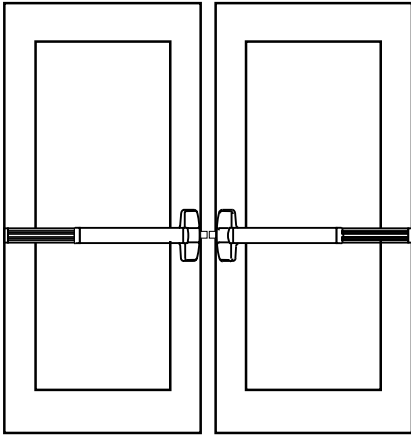
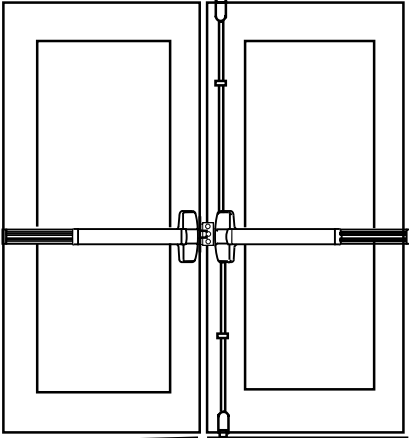
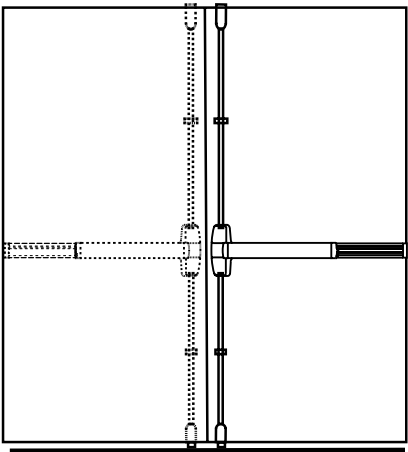
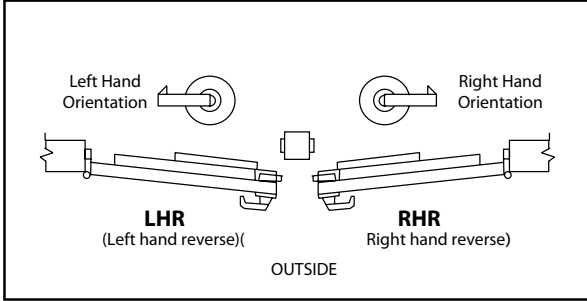
When ordering separately use following Part #

Cal-Royal Part # 357 — Thru-bolts for rim devices, 6 pcs / pack.
Cal-Royal Part # 369 — Thru-bolts for vertical rod devices, 14 pcs / pack.
Cal-Royal Part # 363 — Thru-bolts for rim devices, 6 pcs / pack for 2 ¼" thick doors.
Cal-Royal Part # 375 — Thru-bolts for vertical rod devices, 14 pcs / pack for 2 ¼" thick doors.

Ordering example: A7700E036 ALUM X SBN X ENT00L 26D
AF7780V4896 10B X ICSTR05L 10B

7700 Series Fire and Non-Fire Exit Devices ANSI A156.3 Grade 1 Selector Chart



<p style="text-align: center;">SINGLE DOOR</p>  <p style="font-size: small;">Vertical rod type or Rim type</p> <p style="font-size: small;">Surface applied 2 point lock. Surface application</p>	<p style="text-align: center;">PAIR OF DOORS WITHOUT MULLION</p>  <p style="font-size: small;">2 Vertical rod type</p> <p style="font-size: small;">Surface applied 2 point locking both doors. Each door active same direction. Do not use with overlapping astragal.</p>
<p style="text-align: center;">PAIR OF DOORS WITH MULLION</p>  <p style="font-size: small;">2 Rim type with mullion</p> <p style="font-size: small;">Two independent active doors with full double door openings when required. Same direction.</p>	<p style="text-align: center;">PAIR OF DOORS WITHOUT MULLION</p>  <p style="font-size: small;">1 Vertical rod and 1 Rim type</p> <p style="font-size: small;">Both devices are surface applied. A coordinator and overlapping strike is recommended.</p>
<p style="text-align: center;">PAIR OF DOORS WITHOUT MULLION</p>  <p style="font-size: small;">2 Vertical rod type</p> <p style="font-size: small;">Double egress surface applied. 2 point locking both doors opposite directions.</p>	<p style="text-align: center;">HANDING</p>  <p style="font-size: small;">Left Hand Orientation Right Hand Orientation</p> <p style="font-size: small;">LHR (Left hand reverse) RHR (Right hand reverse)</p> <p style="text-align: center; font-size: small;">OUTSIDE</p>

CAL-ROYAL PRODUCTS, INC.
 6605 FLOTILLA ST., COMMERCE, CA 90040 U.S.A.
 TEL: (323) 888-6601 FAX: (323) 888-6699
 Website: cal-royal.com * Email: sales@cal-royal.com

Exit Devices Comparison Chart

RIM EXIT DEVICE CONVERSIONS	RIM	VERTICAL ROD	CONCEALED VERTICAL ROD	MORTISE RIM	NARROW STILE RIM	NARROW STILE CVR
ARROW	S1200	S1100	S3600	S3900	S4803	S4601
CAL-ROYAL	6600 / A9800 / A7700	6660V / A9860V / A7760V	CVR6600 / N-98CVR / N-77CVR	MR6600 / N-MR9800 / N-MR7700	GLS6600 / GLS9800 / GLS7700	GLSCVR6600 / GLSCVR9800 / GLSCVR7700
CORBIN / RUSSWIN	ED8200	ED8400	ED5800	ED5600	ED4200	ED4800
DETEX	V4000	---	70	30	V40NS	60
DORMA	8300	8400	9100	9500	AD4300	AD4100
PRECISION	5100	5200	2800	2300	2400	2600
SARGENT	2828	2727	MD8600 / WD8600	8900	AD8500	AD8410
VON DUPRIN	98 / 99	9827 / 9927	9947EO	9975EO	33A	3348
YALE	2100	2110	7120	7130	7250	7220



Distributed by: