

# CR801 / CR801S SERIES

ANSI A156.4 Grade 1, Slim / Full Cover Multi-Size, Full Feature Closer  
UL Listed, Conforms to Standards UL10C and UBC7-2-1997  
BHMA Certified Lifetime Warranty



- Cal-Royal's Finest Hydraulic Door Closer Series Meeting the Highest Industry Standards, Grade 1
- Heavy-Duty Double Lever Arm with Extra Smooth Action Full Feature Multi-Size Commercial Door Closer for Use In Office Buildings, Shopping Centers and Other Commercial Buildings
- Standard Back-Check Function
- Optional Slim / Full Plastic Cover
- Optional Adjustable Delayed Action / Barrier Free For Handicapped Or Elderly

## FEATURES

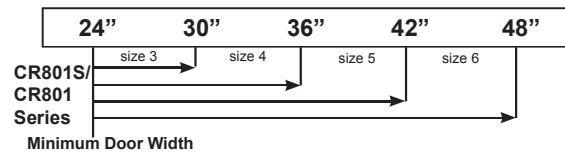
- Heavy Duty Cast Aluminum Hydraulic Door Closer with Standard Adjustable Back-Check Function
- ANSI A156.4 Grade 1: UL Listed for Fire Door Assemblies
- Universal Application. Non-Handed for Standard, Top Jamb or Parallel Arm Installation
- Non-Sized, 1 thru 6 FACTORY PRESET SIZE 3
- Door Weights: 30-260 lbs (All Models)
- Standard Adjustable Back-Check Function
- Adjustable Closing and Latching Speed by Two Separate Regulating Valves
- Standard Full Plastic Cover with sex bolts and screws (CR801)
- Standard Slim Plastic Cover with sex bolts and screws (CR801S)
- Available in Alum, Duro, Gold
- Optional Adjustable Delayed Action (DA). Preset at the factory for Approximately 20 Seconds, Between 70° and 0°. Delay time easily adjusted Up to 1 Minute.
- Barrier Free (BF) Meets ADA regulation. Size 1 thru 6 Engineered with Reduced Spring Power to provide easier opening for Handicapped or Elderly

## TABLE OF SIZES

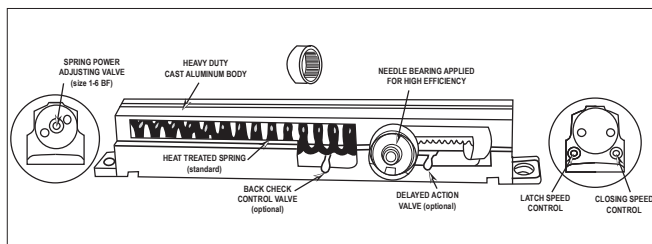
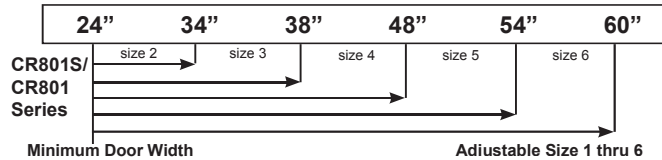
Closing power of closers may be adjusted 50%

→ Shows recommended range of door width for closer size.

### EXTERIOR (and VESTIBULE) DOOR WIDTH



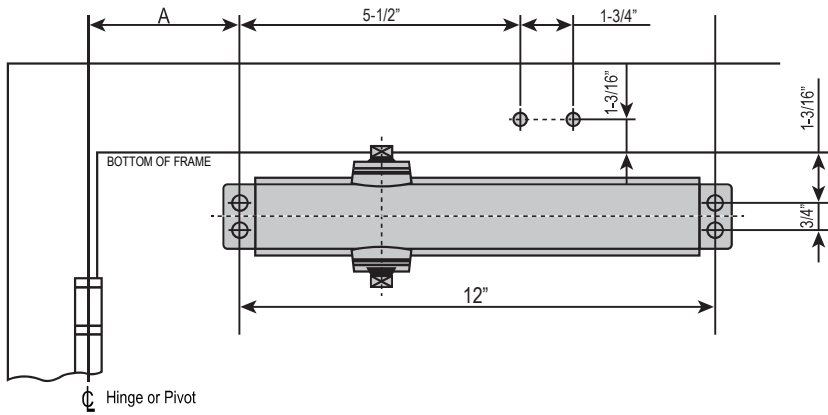
### INTERIOR DOOR WIDTH



### Replacement Hole Pattern Same As Norton 8301 / 8501 and Yale 3301 / 3501

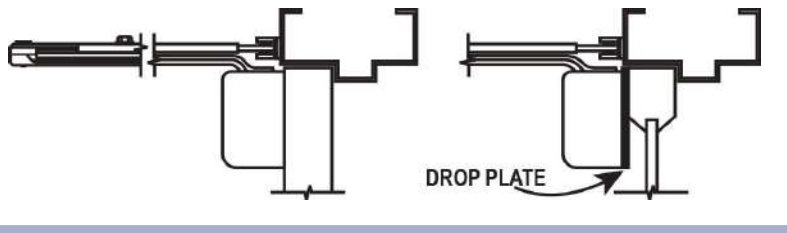
DESCRIPTION	SIZE	
A. Length of Closer Body	12 3/4"	
B. Horizontal Mounting Holes	12"	
C. Vertical Mounting Holes	3/4"	
D. Height of Closer Body	1 13/16"	
E. Projection from Door	2 1/8"	

## CR801 / 801S SERIES : REGULAR ARM INSTALLATION (PULL SIDE)

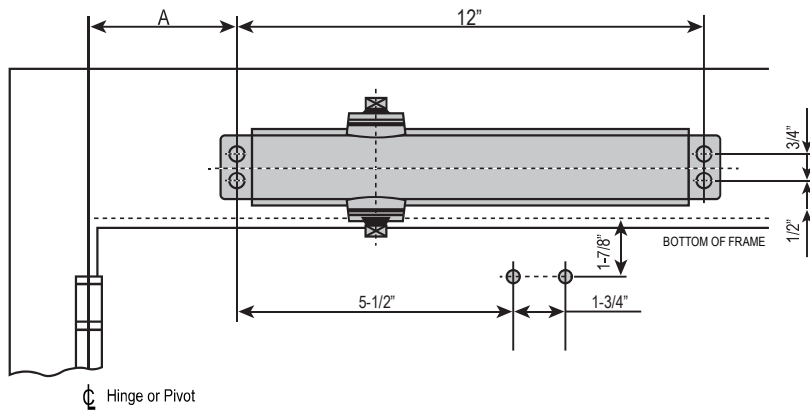


- RIGHT HAND DOOR SHOWN
- LEFT HAND DOOR OPPOSITE
- DIMENSIONS ARE IN INCHES
- DRAWING NOT TO SCALE

OPENING	DIM A
TO 100°	7-1/2" (190.5mm)
TO 130°	6" (152.4mm)
TO 180°	4-1/2" (114.3mm)

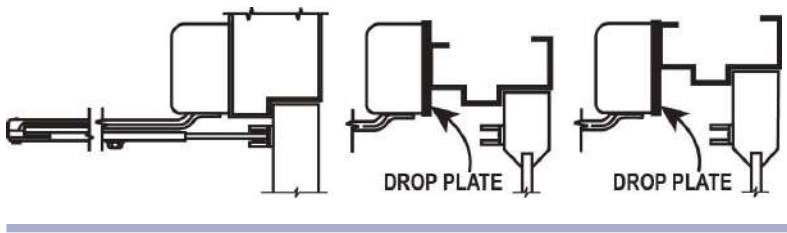


## CR801 / 801S SERIES : TOP JAMB INSTALLATION (PUSH SIDE)



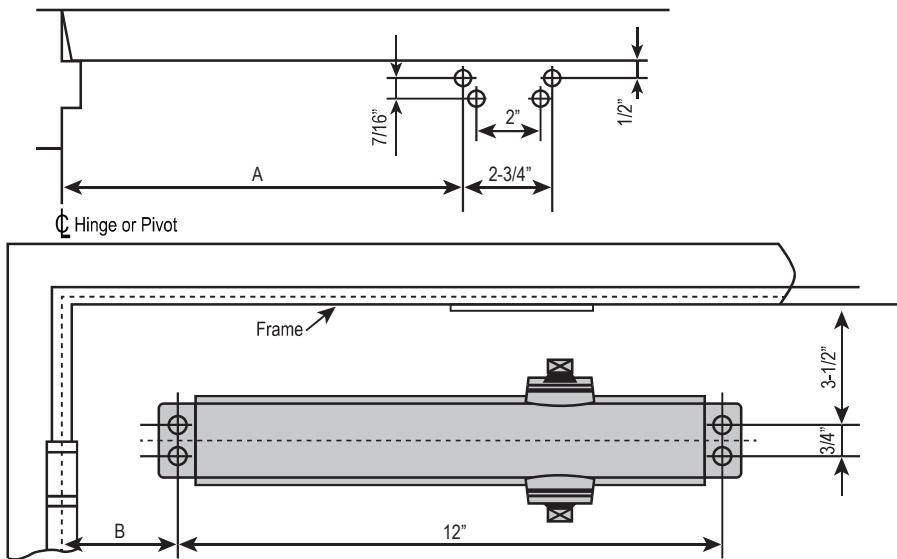
- RIGHT HAND DOOR SHOWN
- LEFT HAND DOOR OPPOSITE
- DIMENSIONS ARE IN INCHES
- DRAWING NOT TO SCALE

OPENING	DIM A
TO 100°	7-1/2" (190.5mm)
TO 130°	6" (152.4mm)
TO 180°	4-1/2" (114.3mm)

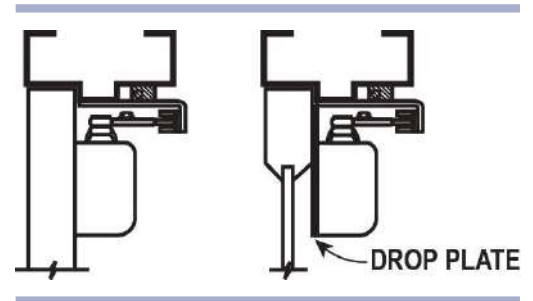


## CR801 / 801S SERIES : PARALLEL ARM INSTALLATION (PUSH SIDE)

OPENING	DIM A	DIM B
TO 120°	9-1/2" (241.3mm)	3-3/4" (95.25mm)
TO 180°	7" (177.8mm)	1-1/4" (31.75mm)

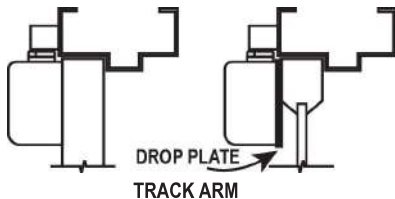


- LEFT HAND DOOR SHOWN
- RIGHT HAND DOOR OPPOSITE
- DIMENSIONS ARE IN INCHES
- DRAWING NOT TO SCALE

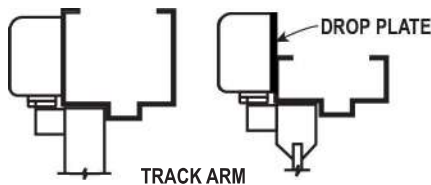


## CR801 / 801S SERIES : OPTIONAL INSTALLATION

### REGULAR ARM (PULL SIDE)



### TOP JAMB (PUSH SIDE)



**MAXIMUM OPENING: 180° (Standard), 120° (Hold Open)**

### OPTIONAL INSTALLATION

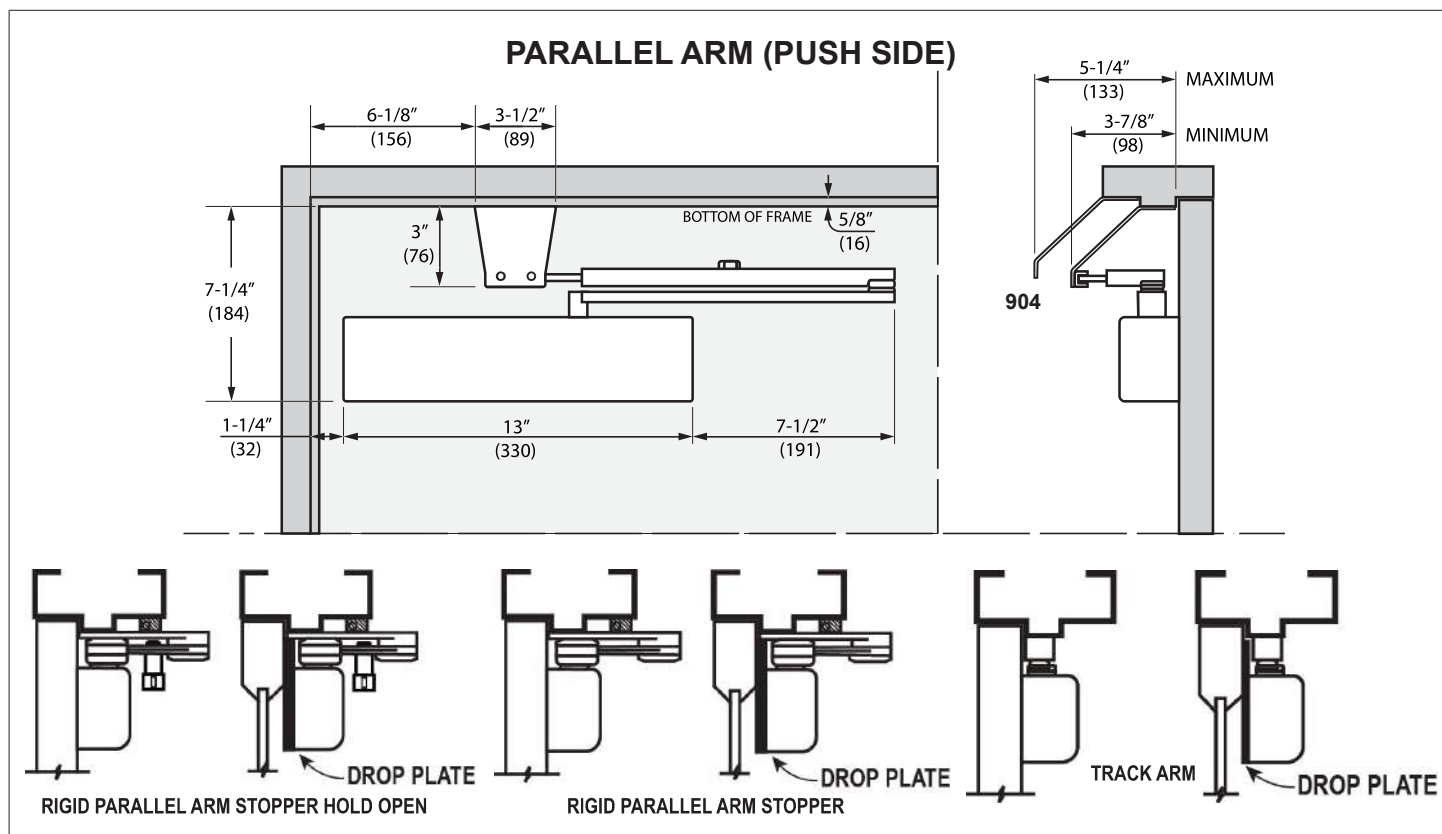
#### ARMS

- 901 / 902 - Hold-Open Arm with Parallel Bracket, Non-Handed with Stop in Soffit Shoe
- 900EXT - Extended Long Arm ( 3" Extension ) for Top Jamb with Deep Reveals
- 945AR - Door Closer Arm (Main and Regular Forearm)
- TRACK / 900 - Slide Track Arm with Removable Hold-Open

#### BRACKETS

- 850S - Slim Flat Drop Plate
- 850W - Wide Flat Drop Plate
- 850F - Full Flat Drop Plate

## CR801 / 801S SERIES : OPTIONAL INSTALLATION



**MAXIMUM OPENING:** 180° (Standard), 120° (Hold Open)

### OPTIONAL INSTALLATION

#### ARMS

- **900HOSPRING** - Super Rigid Parallel Arm Stopper Hold-Open, Non-Handed with Spring Loaded Stop in Soffit Shoe
- **900SPRING** - Super Rigid Non-Handed Parallel Arm with Spring Loaded Stop in the Soffit Shoe
- **HOSRPS / 900** - Super Rigid Parallel Arm Stopper Hold-Open, Non-Handed with Stop in Soffit Shoe
- **SPAS900** - Super Rigid Parallel Arm Stopper, Non-Handed with Stop in Soffit Shoe
- **901 / 902** - Hold-Open Arm with Parallel Bracket, Non-Handed with Stop in Soffit Shoe
- **900EXT** - Extended Long Arm (3" Extension) for Top Jamb with Deep Reveals
- **945AR** - Door Closer Arm (Main and Regular Forearm)
- **TRACK / 900** - Slide Track Arm with Removable Hold-Open

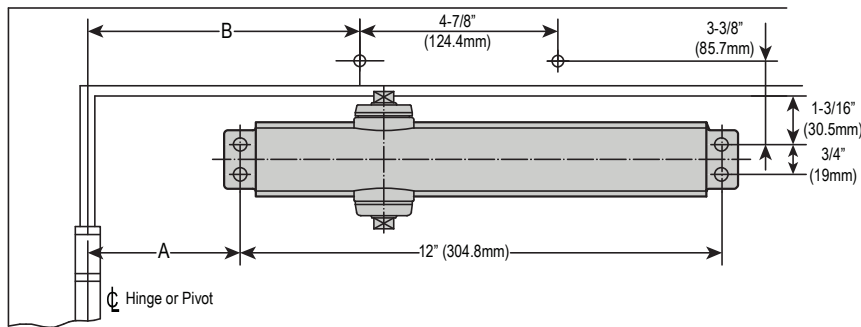
#### BRACKETS

- **904** - Parallel Arm Drop Bracket for Non-Hold Open Parallel Arm Applications to Clear a Surface-Applied Stop / Holder
- **905** - Parallel Arm Bracket
- **850S** - Slim Flat Drop Plate
- **850W** - Wide Flat Drop Plate
- **850F** - Full Flat Drop Plate

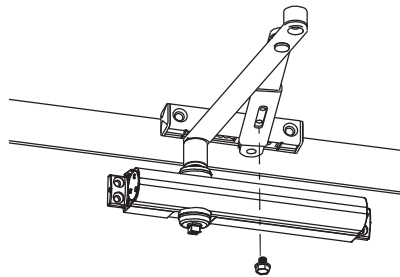
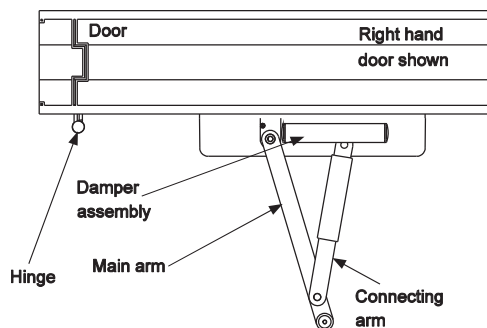
# RHDSA-SS ARM INSTALLATION

## Cushion Heavy Duty Stop Spring Arm with Spring Shoe

### CR801 / 801S SERIES : REGULAR ARM INSTALLATION (PULL SIDE)

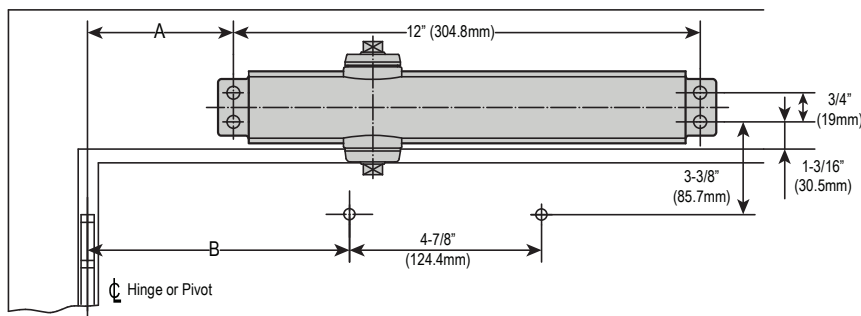


OPENING	DIM A	DIM B
TO 85°	9-3/8" (238.6mm)	12-1/4" (312mm)
TO 90°	8-3/4" (222.6mm)	11-5/8" (296mm)
TO 100°	7-7/8" (200.6mm)	10-13/16" (274mm)
TO 110°	7-1/8" (180.6mm)	10-1/16" (255mm)

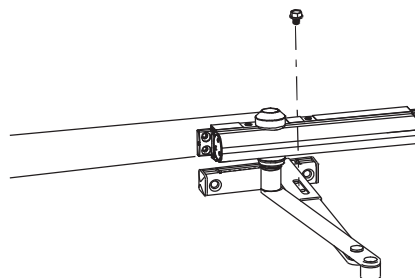
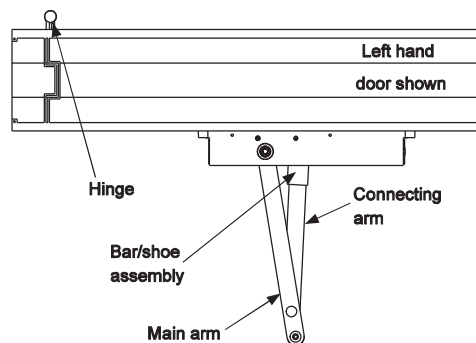


- RIGHT HAND DOOR SHOWN
- LEFT HAND DOOR OPPOSITE
- DIMENSIONS ARE IN INCHES
- DRAWING NOT TO SCALE

### CR801 / 801S SERIES : TOP JAMB INSTALLATION (PUSH SIDE)



OPENING	DIM A	DIM B
TO 85°	8-5/16" (211mm)	11" (279mm)
TO 90°	8" (203mm)	10-11/16" (271mm)
TO 100°	6-7/8" (175mm)	9-9/16" (243mm)
TO 110°	6-1/4" (159mm)	8-15/16" (227mm)

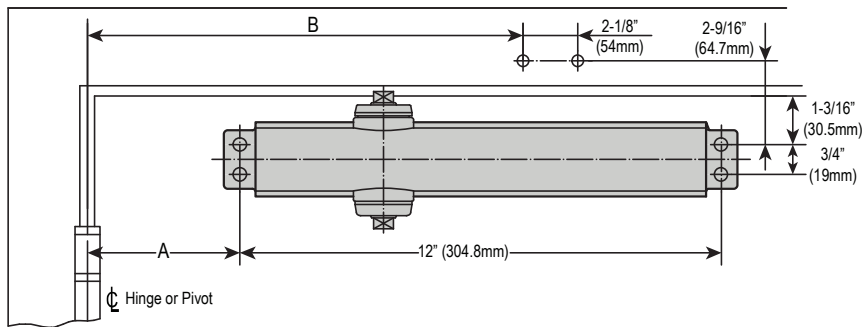


- LEFT HAND DOOR SHOWN
- RIGHT HAND DOOR OPPOSITE
- DIMENSIONS ARE IN INCHES
- DRAWING NOT TO SCALE

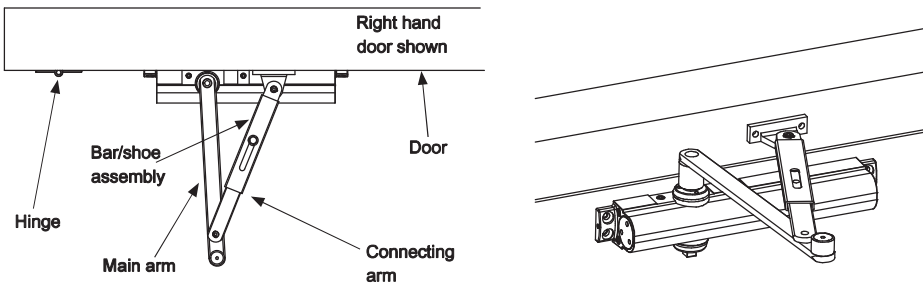
# RHDSTP ARM INSTALLATION

## Cushion Heavy Duty Stop Arm

### CR801 / 801S SERIES : REGULAR ARM INSTALLATION (PULL SIDE)

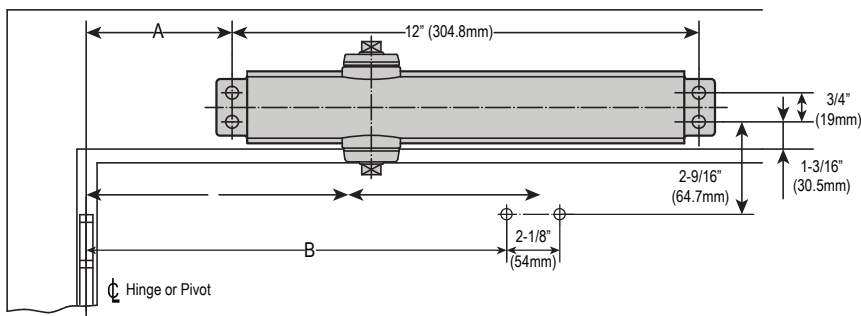


OPENING	DIM A	DIM B
TO 85°	6-1/4" (158.6mm)	14-5/16" (364mm)
TO 90°	5-5/8" (142.6mm)	14" (355mm)
TO 95°	4-13/16" (122.6mm)	13-11/16" (348mm)
TO 100°	5-3/4" (145.6mm)	13-1/16" (332mm)
TO 105°	4-1/4" (107.6mm)	12-3/4" (323mm)
TO 110°	4-1/8" (104.6mm)	12-5/16" (313mm)

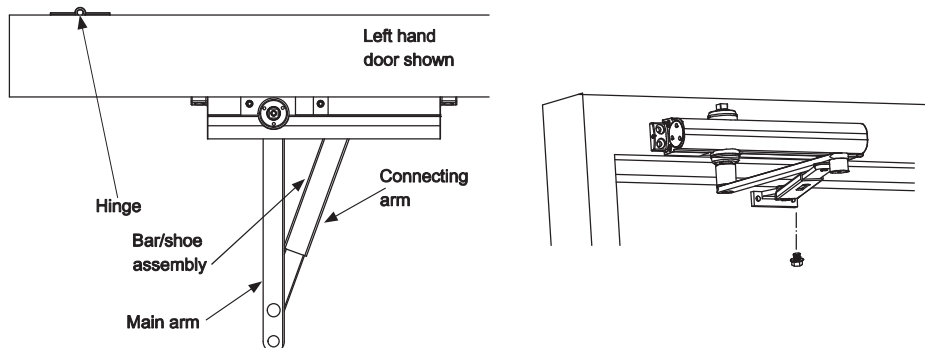


- RIGHT HAND DOOR SHOWN
- LEFT HAND DOOR OPPOSITE
- DIMENSIONS ARE IN INCHES
- DRAWING NOT TO SCALE

### CR801 / 801S SERIES : TOP JAMB INSTALLATION (PUSH SIDE)


















OPENING	DIM A	DIM B
TO 85°	6-7/8" (174.6mm)	13-3/8" (339mm)
TO 90°	6-1/8" (155.6mm)	12-13/16" (326mm)
TO 95°	5-7/8" (149.6mm)	12-7/16" (316mm)
TO 100°	5-5/8" (142.6mm)	12" (304mm)
TO 105°	5-3/8" (136.6mm)	11-11/16" (297mm)
TO 110°	5-1/8" (129.6mm)	11-7/16" (291mm)



- LEFT HAND DOOR SHOWN
- RIGHT HAND DOOR OPPOSITE
- DIMENSIONS ARE IN INCHES
- DRAWING NOT TO SCALE

# CR801 / 801S ACCESSORIES

					
<b>900HOSPRING</b>	<b>900SPRING</b>	<b>HOSRPS / 900</b>	<b>SPAS900</b>	<b>CR900HDAR</b>	
<ul style="list-style-type: none"> <li>• Super rigid parallel arm stopper with hold-open</li> <li>• Forged Steel Constructions</li> <li>• Non-handed</li> <li>• Spring loaded stop in soffit shoe</li> <li>• Handle controls hold-open function</li> <li>• Equivalent to <b>LCN SPRING H-CUSH ARM</b></li> </ul>	<ul style="list-style-type: none"> <li>• Super rigid parallel arm stopper</li> <li>• Forged Steel Constructions</li> <li>• Non-handed parallel arm</li> <li>• Spring loaded stop in the soffit shoe</li> <li>• Equivalent to <b>LCN SPRING CUSH ARM</b></li> </ul>	<ul style="list-style-type: none"> <li>• Super rigid parallel arm stopper with hold-open</li> <li>• Forged Steel Constructions</li> <li>• Non-handed with stop in soffit shoe</li> <li>• Handle controls hold-open function</li> <li>• Equivalent to <b>LCN H-CUSH ARM</b></li> </ul>	<ul style="list-style-type: none"> <li>• Super rigid parallel arm stopper</li> <li>• Forged Steel Constructions</li> <li>• Non-handed with stop in soffit shoe</li> <li>• Equivalent to <b>LCN CUSH-N-STOP ARM</b></li> </ul>	<ul style="list-style-type: none"> <li>• Non-handed parallel arm</li> <li>• Forged Steel main arm and forearm</li> <li>• For potentially abusive installations</li> </ul>	
					
<b>901 / 902</b>	<b>RHDSA-SS</b>	<b>RHDSTP</b>	<b>945AR</b>	<b>900EXT</b>	
<ul style="list-style-type: none"> <li>• Hold-open arm with parallel bracket</li> <li>• Forged Steel Constructions</li> <li>• Non-handed with stop in soffit shoe</li> </ul>	<ul style="list-style-type: none"> <li>• Cushion Heavy Duty Stop Spring Arm with spring shoe</li> <li>• Provides a spring assisted dead stop function for regular and top jamb applications at 85°, 90°, 100°, and 110°.</li> <li>• Non-Handed</li> <li>• 0"-3 1/2" (0-89mm) Reveal</li> <li>• Equivalent to <b>Dorma 8600 Series Spring Stop IS Arm</b></li> </ul>	<ul style="list-style-type: none"> <li>• Cushion Heavy Duty Stop Arm</li> <li>• Provides a cushioned opening function for regular and top jamb applications at 85°, 90°, 95°, 100°, 105°, and 110°.</li> <li>• Non-Handed</li> <li>• 0"-3 1/2" (0-89mm) Reveal</li> <li>• Equivalent to <b>Dorma 8600 Series Cushion IS Arm, and Norton 1600 Series 7701-CA Arm</b></li> </ul>	<ul style="list-style-type: none"> <li>• Forged Steel main arm and forearm</li> <li>• Non-handed</li> <li>• Door closer arm (Main and regular forearm)</li> </ul>	<ul style="list-style-type: none"> <li>• Extended long arm (3" extension)</li> <li>• Non-handed</li> <li>• For top jamb with deep reveals</li> </ul>	
					
<b>TRACK / 900</b>	<b>904</b>	<b>905</b>	<b>801SCOV</b>	<b>801COV</b>	
<ul style="list-style-type: none"> <li>• Slide track arm</li> <li>• With removable hold-open clip</li> <li>• Non-handed</li> </ul>	<ul style="list-style-type: none"> <li>• Parallel arm drop bracket</li> <li>• Non-handed</li> <li>• Required for non-hold open parallel arm applications</li> <li>• To clear a surface-applied stop / holder</li> </ul>	<ul style="list-style-type: none"> <li>• Parallel arm bracket</li> <li>• Non-handed</li> </ul>	<ul style="list-style-type: none"> <li>• Slim Cover</li> <li>• Non-handed</li> <li>• Plastic Material</li> </ul>	<ul style="list-style-type: none"> <li>• Full Cover</li> <li>• Non-handed</li> <li>• Plastic Material</li> </ul>	
					
<b>850S</b>	<b>850W</b>	<b>850F</b>	<b>970138</b>	<b>970</b>	<b>706</b>
<ul style="list-style-type: none"> <li>• Slim Flat drop bracket</li> <li>• Non-handed</li> </ul>	<ul style="list-style-type: none"> <li>• Wide Flat drop bracket</li> <li>• Non-handed</li> </ul>	<ul style="list-style-type: none"> <li>• Full Flat drop bracket</li> <li>• Non-handed</li> </ul>	<ul style="list-style-type: none"> <li>• Sex bolts for 1 3/8" doors</li> <li>• Female part only</li> <li>• 1/4" – 20 (set of 4)</li> <li>• for Steel Door Application</li> </ul>	<ul style="list-style-type: none"> <li>• Sex bolts</li> <li>• Female part only</li> <li>• 1/4" – 20 (set of 4)</li> <li>• for Steel Door Application</li> </ul>	<ul style="list-style-type: none"> <li>• Thru bolts and grommet nuts</li> <li>• Set of 4</li> <li>• for Wood and Aluminum Door Application</li> </ul>