

# 900 SERIES

ANSI A156.4 Grade 1, Full Cover, Multi-Size Full Feature Closer  
UL Listed, Conforms to Standards UL10C and UBC7-2-1997  
BHMA Certified Lifetime Warranty



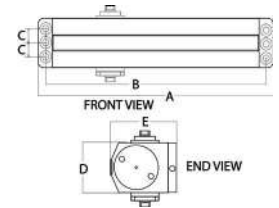
- Cal-Royal's Finest Hydraulic Door Closer Series Meeting the Highest Industry Standards Grade 1
- Heavy-Duty Full Feature Multi-Size Commercial Door Closer for Use In Office Buildings, Shopping Center and Other Commercial Buildings
- Standard Back-Check Function
- Standard Packaging includes Full Plastic Cover with Sex Bolts and Screws. (Metal Optional)
- Optional Plated Decorative Covers are available including 32D
- Optional Adjustable Delayed Action for Handicapped or Elderly

## FEATURES

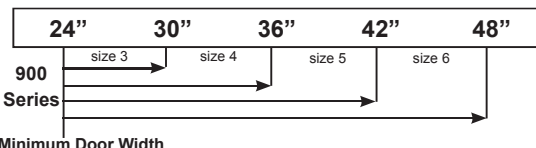


- Heavy Duty Cast Aluminum Hydraulic Door Closer
- ANSI A156.4 Grade 1: UL Listed for Fire Door Assemblies
- Universal Application. Non-Handed for Standard, Top Jamb or Parallel Arm Installation
- Non-Sized, 1 thru 6 FACTORY PRESET SIZE 3
- Door Weights: 30-260 lbs (All Models)
- Standard Adjustable Back-Check Function
- Adjustable Closing and Latching Speed by Two Separate Regulating Valves
- 6 Attaching Holes for Extra Secure Mounting to Door or Frame
- Available in Alum, Duro, Gold, White, US3, 26, 26D, 10, 15, 10B, 32D, 4 and 5 Finishes
- Optional Adjustable Delayed Action (DA). Preset at the Factory for Approximately 20 Seconds, Between 70° and 0° Delay Time Easily Adjusted Up to 1 Minute
- Barrier Free (BF) Meets ADA regulation. Size 1 thru 6 Engineered with Reduced Spring Power to Provide Easier Opening for Handicapped or Elderly

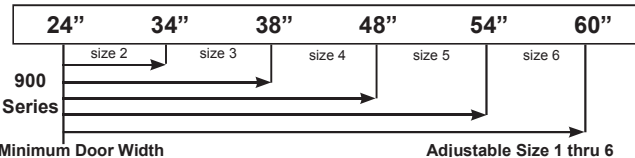
DESCRIPTION	SIZE
A. Length of Closer Body	11 3/4"
B. Horizontal Mounting Holes	11 1/8"
C. Vertical Mounting Holes	9/16"
D. Height of Closer Body	2"
E. Projection from Door	2 7/8"



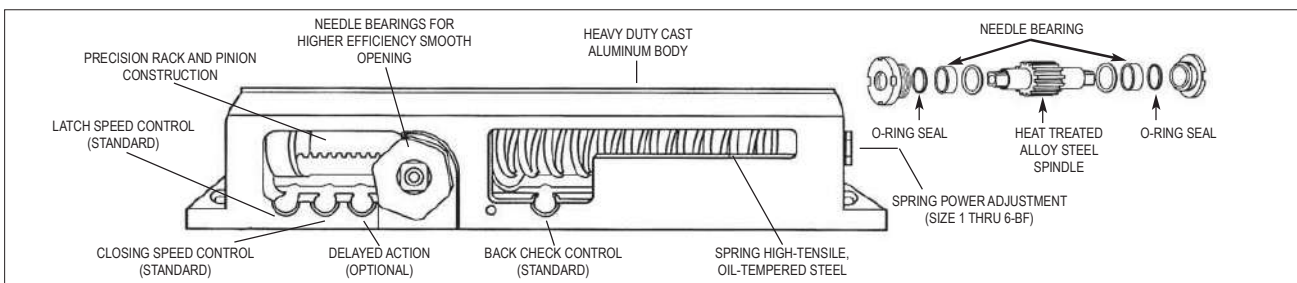
### EXTERIOR (and VESTIBULE) DOOR WIDTH



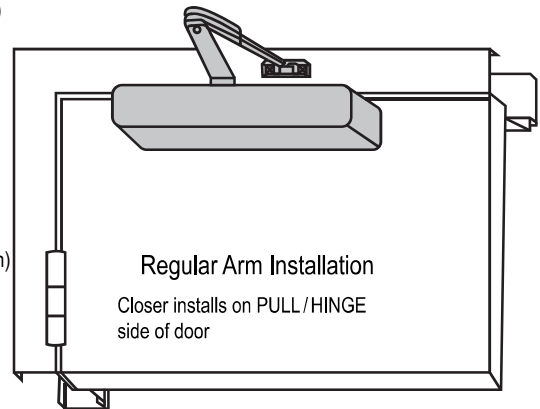
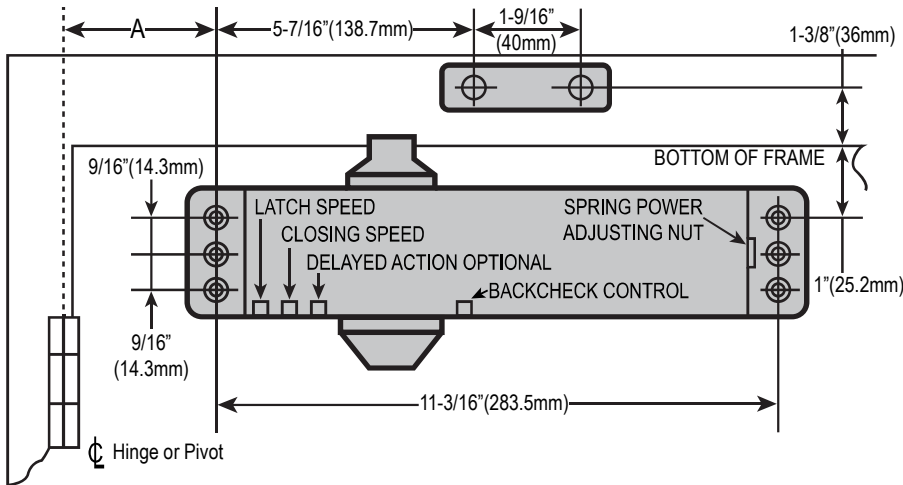
### INTERIOR DOOR WIDTH



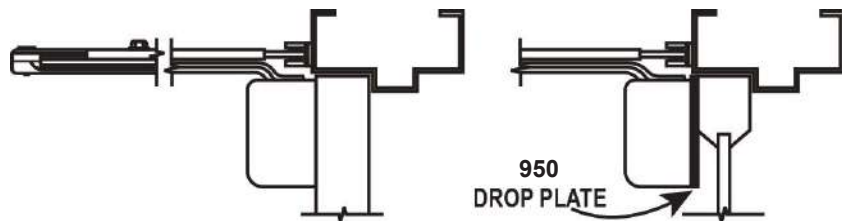
Conforms to Standards UL10C and UBC7-2-1997



## 900 SERIES : REGULAR ARM INSTALLATION (PULL SIDE)

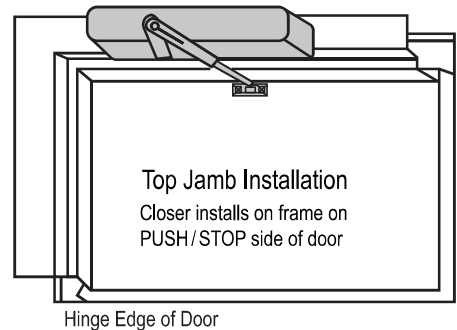
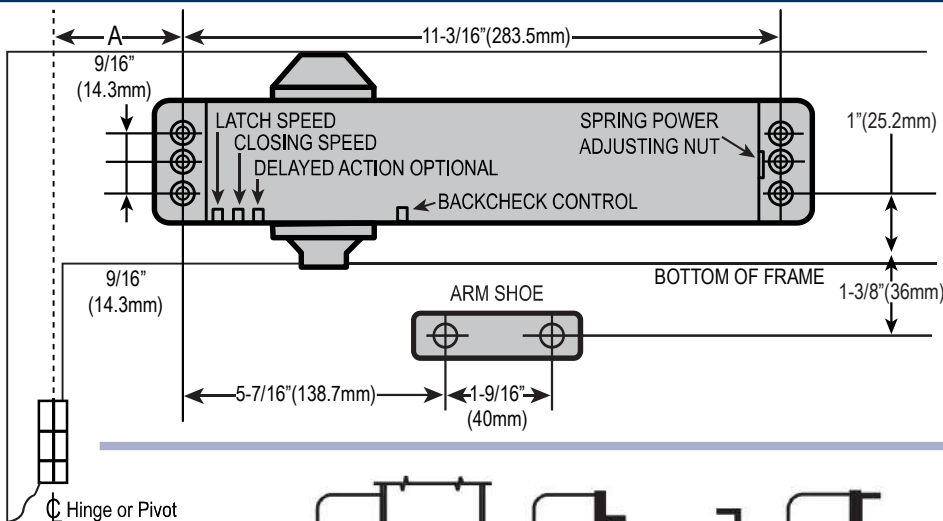


- RIGHT HAND DOOR SHOWN
- LEFT HAND DOOR OPPOSITE
- DIMENSIONS ARE IN INCHES
- DRAWING NOT TO SCALE

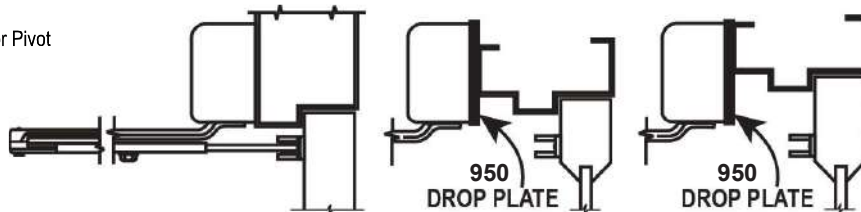


OPENING	DIM A
TO 120°	7-3/32 (180mm)
120° - 180°	3-15/16 (100mm)

## 900 SERIES: TOP JAMB INSTALLATION (PUSH SIDE)

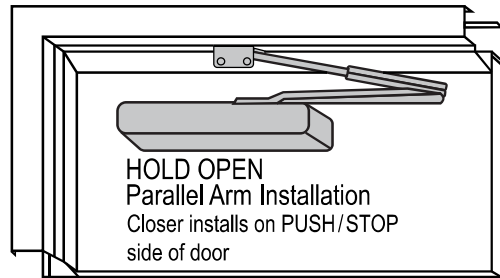
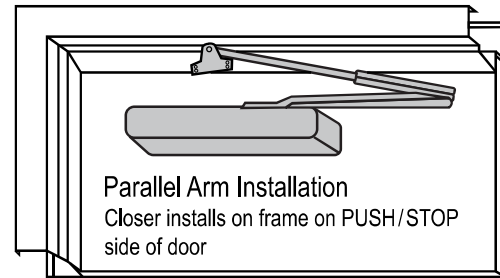
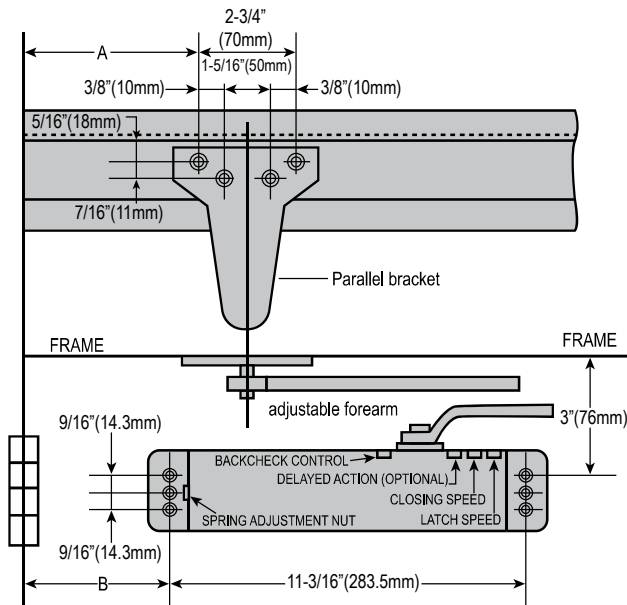


- LEFT HAND DOOR SHOWN
- RIGHT HAND DOOR OPPOSITE
- DIMENSIONS ARE IN INCHES
- DRAWING NOT TO SCALE



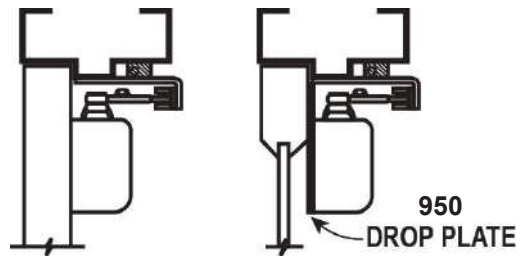
OPENING	DIM A
TO 120°	7-3/32 (180mm)
120° - 180°	3-15/16 (100mm)

## 900 SERIES : PARALLEL ARM INSTALLATION (PUSH SIDE)



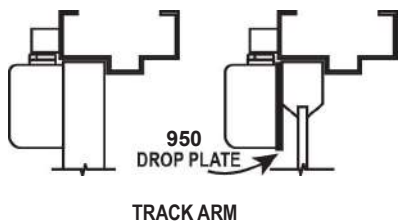
OPENING	DIM A	DIM B
TO 120°	9-1/2(241.5 mm)	6-1/8 (156 mm)
120° - 180°	5-7/8 (149.7 mm)	2-9/16 (65 mm)

- LEFT HAND DOOR SHOWN
- RIGHT HAND DOOR OPPOSITE
- DIMENSIONS ARE IN INCHES
- DRAWING NOT TO SCALE

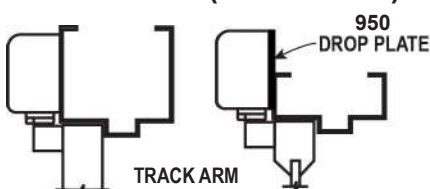


## 900 SERIES : OPTIONAL INSTALLATION

### REGULAR ARM (PULL SIDE)



### TOP JAMB (PUSH SIDE)



**MAXIMUM OPENING:** 180°(Standard), 120° (Hold Open)

### OPTIONAL INSTALLATION

#### ARMS

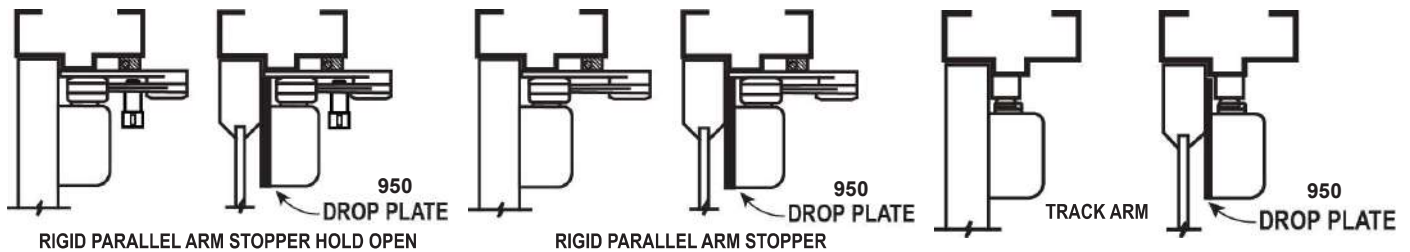
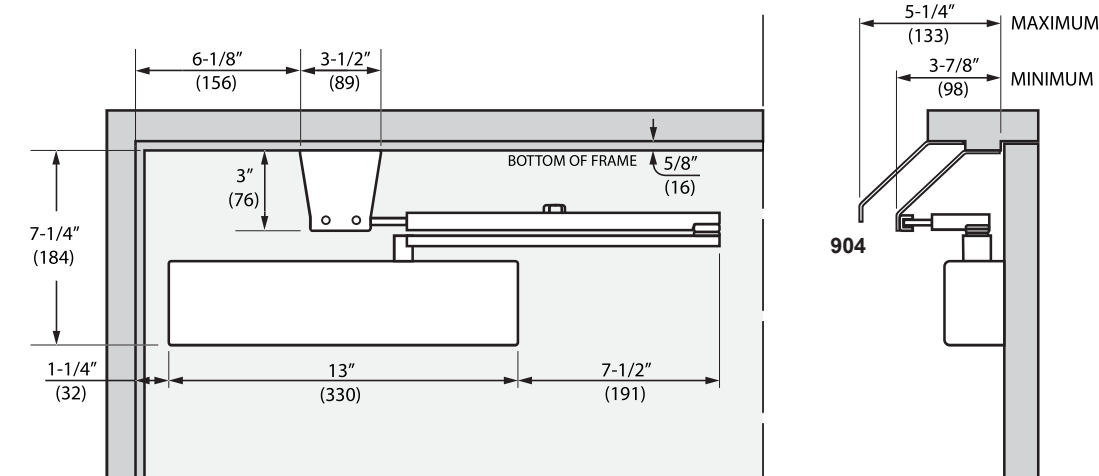
- 901 / 902 - Hold-Open Arm with Parallel Bracket, Non-Handed with Stop in Soffit Shoe
- 900EXT - Extended Long Arm (3" Extension) for Top Jamb with Deep Reveals
- 945AR - Door Closer Arm (Main and Regular Forearm)
- TRACK / 900 - Slide Track Arm with Removable Hold-Open

#### BRACKETS

- 950 - Flat Drop Plate for Top Rail less than 3 1/2"

## 900 SERIES : OPTIONAL INSTALLATION

### PARALLEL ARM (PUSH SIDE)



**MAXIMUM OPENING:** 180° (Standard), 120° (Hold Open)

### OPTIONAL INSTALLATION

#### ARMS

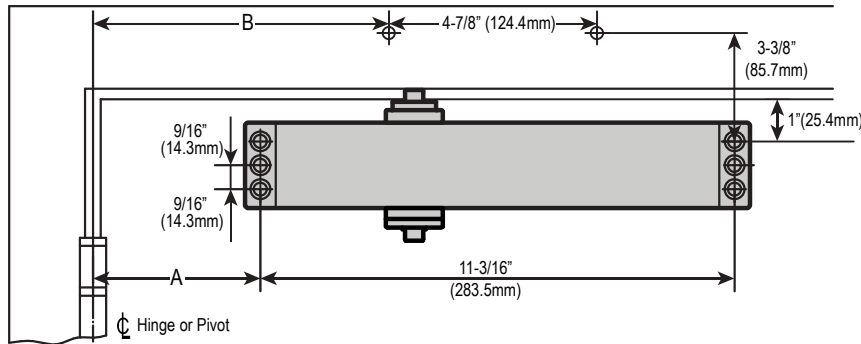
- **900HOSPRING** - Super Rigid Parallel Arm Stopper Hold-Open, Non-Handed with Spring Loaded Stop in Soffit Shoe
- **900SPRING** - Super Rigid Non-Handed Parallel Arm with Spring Loaded Stop in the Soffit Shoe
- **HOSRPS / 900** - Super Rigid Parallel Arm Stopper Hold-Open, Non-Handed with Stop in Soffit Shoe
- **SPAS900** - Super Rigid Parallel Arm Stopper, Non-Handed with Stop in Soffit Shoe
- **901 / 902** - Hold-Open Arm with Parallel Bracket, Non-Handed with Stop in Soffit Shoe
- **900EXT** - Extended Long Arm ( 3" extension ) for Top Jamb with Deep Reveals
- **945AR** - Door Closer Arm (Main and Regular Forearm)
- **TRACK / 900** - Slide Track Arm with Removable Hold-Open

#### BRACKETS

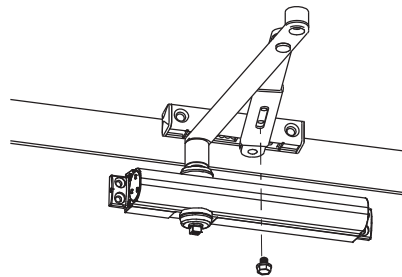
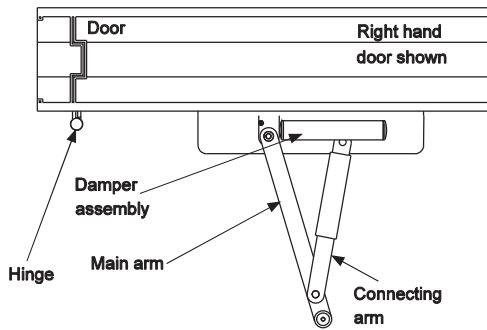
- **904** - Parallel Arm Drop Bracket for Non-Hold Open Parallel Arm Applications to Clear a Surface-Applied Stop / Holder
- **905** - Parallel Arm Bracket
- **950** - Flat Drop Plate for Top Rail less than 3 1/2"

## Cushion Heavy Duty Stop Spring Arm with Spring Shoe

### 900 SERIES : REGULAR ARM INSTALLATION (PULL SIDE)

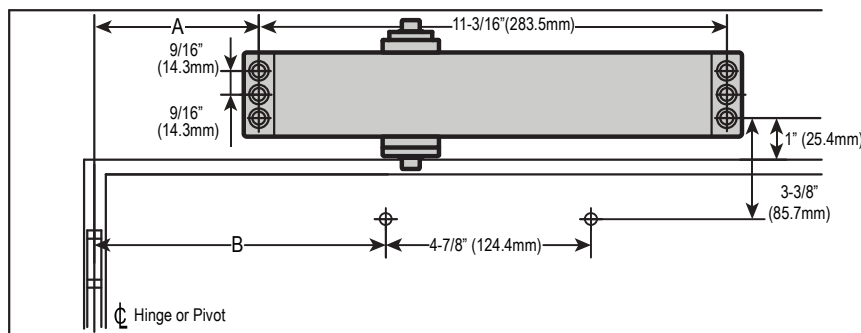


OPENING	DIM A	DIM B
TO 85°	9-3/8" (238.6mm)	12-1/4" (312mm)
TO 90°	8-3/4" (222.6mm)	11-5/8" (296mm)
TO 100°	7-7/8" (200.6mm)	10-13/16" (274mm)
TO 110°	7-1/8" (180.6mm)	10-1/16" (255mm)

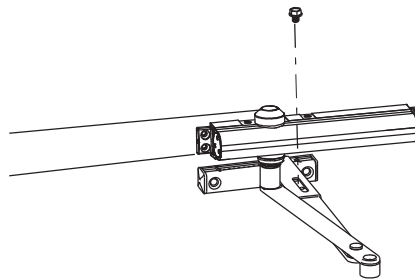
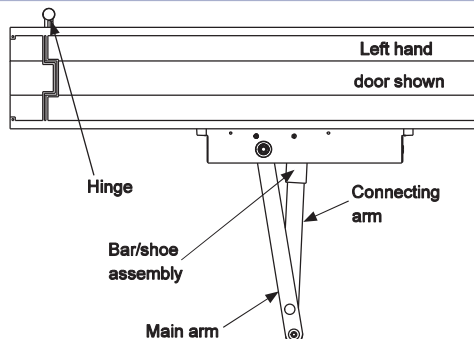


- RIGHT HAND DOOR SHOWN
- LEFT HAND DOOR OPPOSITE
- DIMENSIONS ARE IN INCHES
- DRAWING NOT TO SCALE

### 900 SERIES: TOP JAMB INSTALLATION (PUSH SIDE)



OPENING	DIM A	DIM B
TO 85°	8-5/16" (211mm)	11" (279mm)
TO 90°	8" (203mm)	10-11/16" (271mm)
TO 100°	6-7/8" (175mm)	9-9/16" (243mm)
TO 110°	6-1/4" (159mm)	8-15/16" (227mm)

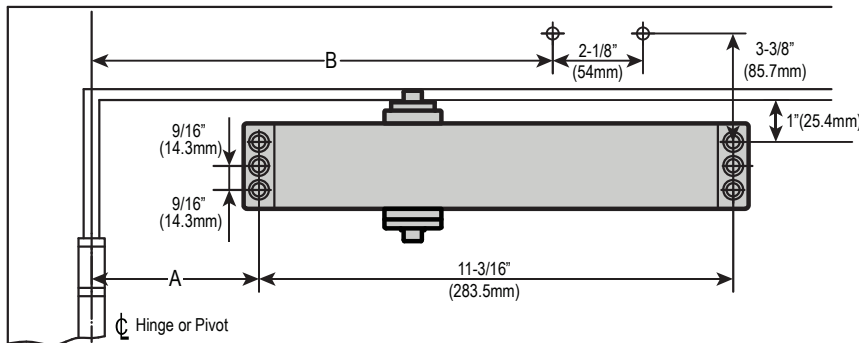


- LEFT HAND DOOR SHOWN
- RIGHT HAND DOOR OPPOSITE
- DIMENSIONS ARE IN INCHES
- DRAWING NOT TO SCALE

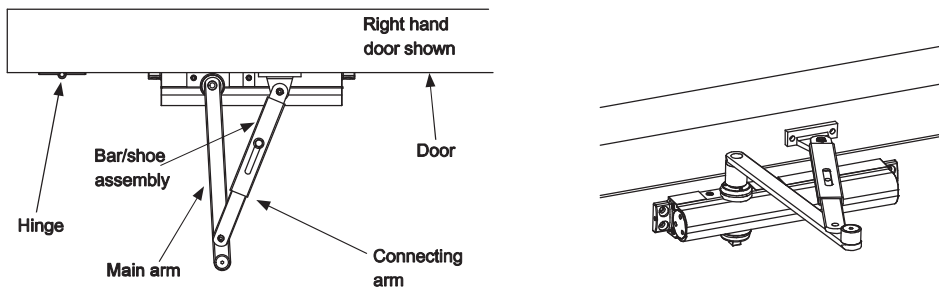
# RHDSTP ARM INSTALLATION

## Cushion Heavy Duty Stop Arm

### 900 SERIES : REGULAR ARM INSTALLATION (PULL SIDE)

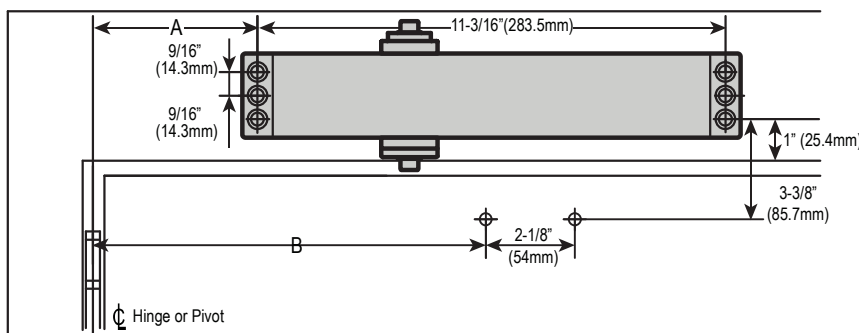


OPENING	DIM A	DIM B
TO 85°	6-1/4" (158.6mm)	14-5/16" (364mm)
TO 90°	5-5/8" (142.6mm)	14" (355mm)
TO 95°	4-13/16" (122.6mm)	13-11/16" (348mm)
TO 100°	5-3/4" (145.6mm)	13-1/16" (332mm)
TO 105°	4-1/4" (107.6mm)	12-3/4" (323mm)
TO 110°	4-1/8" (104.6mm)	12-5/16" (313mm)

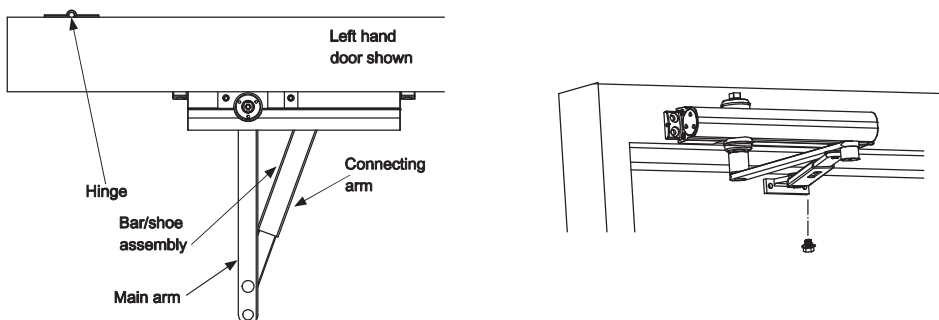


- RIGHT HAND DOOR SHOWN
- LEFT HAND DOOR OPPOSITE
- DIMENSIONS ARE IN INCHES
- DRAWING NOT TO SCALE

### 900 SERIES: TOP JAMB INSTALLATION (PUSH SIDE)























OPENING	DIM A	DIM B
TO 85°	6-7/8" (174.6mm)	13-3/8" (339mm)
TO 90°	6-1/8" (155.6mm)	12-13/16" (326mm)
TO 95°	5-7/8" (149.6mm)	12-7/16" (316mm)
TO 100°	5-5/8" (142.6mm)	12" (304mm)
TO 105°	5-3/8" (136.6mm)	11-11/16" (297mm)
TO 110°	5-1/8" (129.6mm)	11-7/16" (291mm)



- LEFT HAND DOOR SHOWN
- RIGHT HAND DOOR OPPOSITE
- DIMENSIONS ARE IN INCHES
- DRAWING NOT TO SCALE



# 900 SERIES ACCESSORIES

				
<b>900HOSPRING</b>	<b>900SPRING</b>	<b>HOSRPS / 900</b>	<b>SPAS900</b>	<b>CR900HDAR</b>
<ul style="list-style-type: none"> <li>• Super rigid parallel arm stopper with hold-open</li> <li>• Forged Steel Constructions</li> <li>• Non-handed</li> <li>• Spring loaded stop in soffit shoe</li> <li>• Handle controls hold-open function</li> <li>• Equivalent to <b>LCN SPRING H-CUSH ARM</b></li> </ul>	<ul style="list-style-type: none"> <li>• Super rigid parallel arm stopper</li> <li>• Forged Steel Constructions</li> <li>• Non-handed parallel arm</li> <li>• Spring loaded stop in the soffit shoe</li> <li>• Equivalent to <b>LCN SPRING CUSH ARM</b></li> </ul>	<ul style="list-style-type: none"> <li>• Super rigid parallel arm stopper with hold-open</li> <li>• Forged Steel Constructions</li> <li>• Non-handed with stop in soffit shoe</li> <li>• Handle controls hold-open function</li> <li>• Equivalent to <b>LCN H-CUSH ARM</b></li> </ul>	<ul style="list-style-type: none"> <li>• Super rigid parallel arm stopper</li> <li>• Forged Steel Constructions</li> <li>• Non-handed with stop in soffit shoe</li> <li>• Equivalent to <b>LCN CUSH-N-STOP ARM</b></li> </ul>	<ul style="list-style-type: none"> <li>• Non-handed parallel arm</li> <li>• Forged Steel main arm and forearm</li> <li>• For potentially abusive installations</li> </ul>
				
<b>901 / 902</b>	<b>RHDSA-SS</b>	<b>RHDSTP</b>	<b>945AR</b>	<b>900EXT</b>
<ul style="list-style-type: none"> <li>• Hold-open arm with parallel bracket</li> <li>• Forged Steel Constructions</li> <li>• Non-handed with stop in soffit shoe</li> </ul>	<ul style="list-style-type: none"> <li>• Cushion Heavy Duty Stop Spring Arm with spring shoe</li> <li>• Provides a spring assisted dead stop function for regular and top jamb applications at 85°, 90°, 100°, and 110°.</li> <li>• Non-Handed</li> <li>• 0°-3 1/2" (0-89mm) Reveal</li> <li>• Equivalent to <b>Dorma 8600 Series Spring Stop IS Arm</b></li> </ul>	<ul style="list-style-type: none"> <li>• Cushion Heavy Duty Stop Arm</li> <li>• Provides a cushioned opening function for regular and top jamb applications at 85°, 90°, 95°, 100°, 105°, and 110°.</li> <li>• Non-Handed</li> <li>• 0°-3 1/2" (0-89mm) Reveal</li> <li>• Equivalent to <b>Dorma 8600 Series Cushion IS Arm, and Norton 1600 Series 7701-CA Arm</b></li> </ul>	<ul style="list-style-type: none"> <li>• Forged Steel main and forearm</li> <li>• Non-handed</li> <li>• Door closer arm (Main and regular forearm)</li> </ul>	<ul style="list-style-type: none"> <li>• Extended long arm (3" extension)</li> <li>• Non-handed</li> <li>• For top jamb with deep reveals</li> </ul>
				
<b>TRACK / 900</b>	<b>900COV</b>	<b>900MET</b>	<b>900SMET</b>	<b>904</b>
<ul style="list-style-type: none"> <li>• Slide track arm</li> <li>• With removable hold-open clip</li> <li>• Non-handed</li> </ul>	<ul style="list-style-type: none"> <li>• Full Cover</li> <li>• Non-handed</li> <li>• Plastic material</li> </ul>	<ul style="list-style-type: none"> <li>• Optional full metal cover</li> <li>• Non-Handed</li> <li>• Metal material</li> <li>• Aluminum stock finish</li> </ul>	<ul style="list-style-type: none"> <li>• Slim Cover</li> <li>• Non-Handed</li> <li>• Metal material</li> <li>• US32D Stainless Steel stock finish</li> </ul>	<ul style="list-style-type: none"> <li>• Parallel arm drop bracket</li> <li>• Non-handed</li> <li>• Required for non-hold open parallel arm applications</li> <li>• To clear a surface-applied stop / holder</li> </ul>
				
<b>905</b>	<b>950</b>	<b>970138</b>	<b>970</b>	<b>706</b>
<ul style="list-style-type: none"> <li>• Parallel arm bracket</li> <li>• Non-handed</li> </ul>	<ul style="list-style-type: none"> <li>• Flat drop bracket</li> <li>• Non-handed</li> <li>• Required for hinge mount where top rail is less than 3 1/2"</li> <li>• Plate requires 1 1/4" minimum head frame</li> <li>• Available in powder coat finishes</li> </ul>	<ul style="list-style-type: none"> <li>• Sex bolts for 1 3/8" doors</li> <li>• Female part only</li> <li>• 1/4" - 20 (set of 4)</li> <li>• For Steel Door Application</li> </ul>	<ul style="list-style-type: none"> <li>• Sex bolts</li> <li>• Female part only</li> <li>• 1/4" - 20 (set of 4)</li> <li>• For Steel Door Application</li> </ul>	<ul style="list-style-type: none"> <li>• Thru bolts and grommet nuts</li> <li>• Set of 4</li> <li>• For Wood and Aluminum Door Application</li> </ul>