

300 SERIES

ANSI A156.4 Grade 1, Full Cover Multi-Size, Full Feature Closer
UL Listed, Conforms to Standards UL10C and UBC7-2-1997
BHMA Certified Lifetime Warranty



- Meets and Exceeds ANSI Standard A156.4 Grade 1
- Universal Hole Pattern Offering Versatility and Precision Engineering for New and Retrofit Market
- Multi Size and Adjustable Commercial Door Closer Sizes 1 thru 4 and 3 thru 6 Meeting Barrier Free Applications
- Hydraulic Door Closer with Standard Back-Check
- Full Plastic Cover is Standard Feature
- Optional Adjustable Delayed Action for Handicapped or Elderly

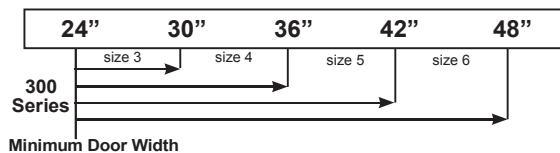


TABLE OF SIZES

Closing power of closers may be adjusted 50%

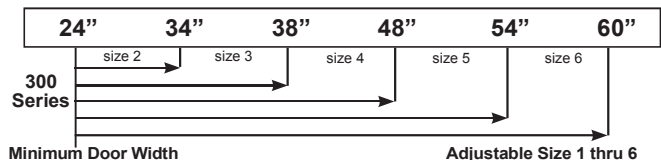
→ Shows recommended range of door width for closer size.

EXTERIOR (and VESTIBULE) DOOR WIDTH



Minimum Door Width

INTERIOR DOOR WIDTH



Minimum Door Width

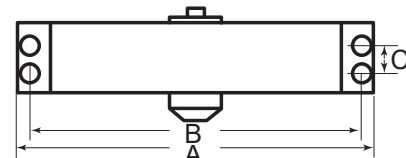
Adjustable Size 1 thru 6

FEATURES

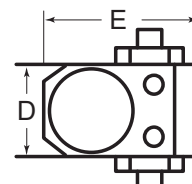
- Heavy Duty Cast Aluminum Hydraulic Door Closer with Standard Adjustable Back-Check Valve
- Factory Tested to Meet or Exceed ANSI Standard A156.4 Grade 1
- **300 PBFCOV:** Non-Sized, Fully Adjustable 1 through 4, (Barrier Free ADA). Full cover. For 30-185 lbs Door Weight
- **300 PCOV:** Non-Sized, Fully Adjustable 3 through 6. Full cover. For 85-260 lbs Door Weight
- Standard Full Plastic Cover (2 5/8" W x 3" H x 10 1/8" L) **COV / 400**
- Universal Mounting - Standard Size #4 Mounting Holes. (9-1/16")
- Finishes Available: Alum, Dark Bronze (Duro), Gold and US3
- Dual Valve, Closing and Latching Speed Controlled by Two Separate Regulating Valves
- Universal Application, Non-Handed, Designed for All Standard Installations

DIMENSION DESCRIPTION	300PBFCOV / 300PCOV
A. Length of Closer Body	9 3/4"
B. Horizontal Mounting Holes	9 1/16"
C. Vertical Mounting Holes	3/4"
D. Height of Closer Body	1 3/4"
E. Projection from Door	2 7/8"

SPECIFICATIONS

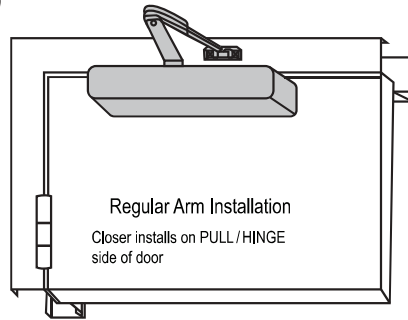
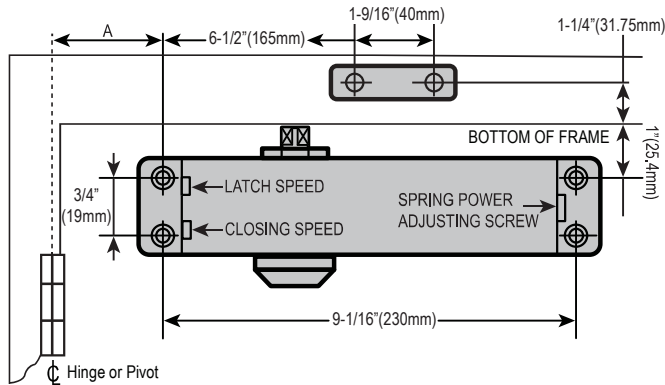


FRONT VIEW

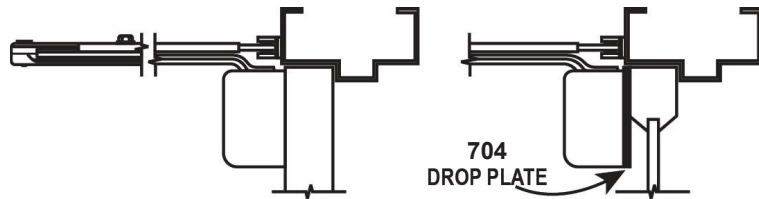


300 Series
END VIEW

300 SERIES : REGULAR ARM INSTALLATION (PULL SIDE)

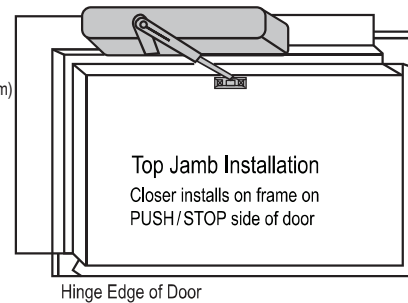
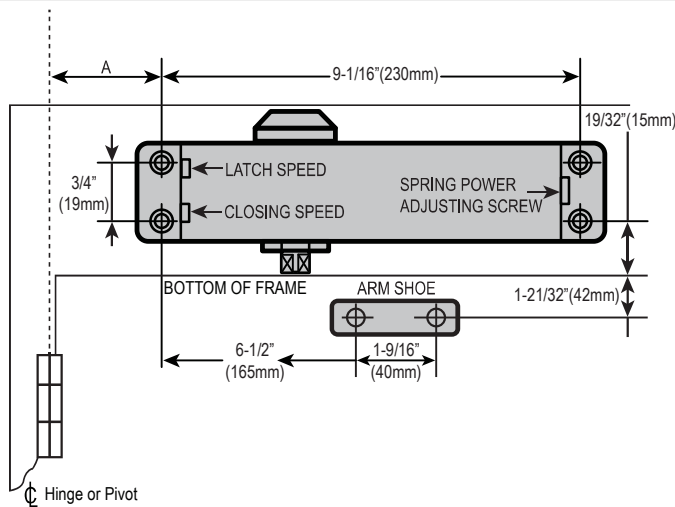


OPENING	DIM A
TO 100°	4-23/32" (120mm)
TO 100° - 120°	4-23/32" (120mm)
OVER 180°	3-5/32" (80mm)

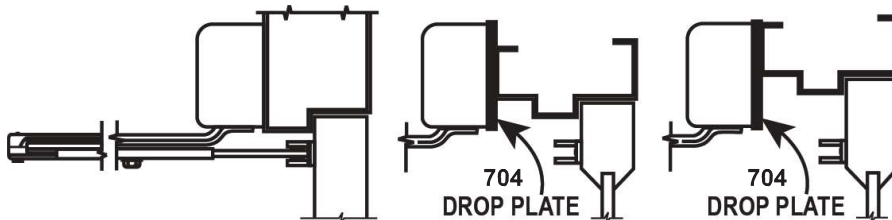


- RIGHT HAND DOOR SHOWN
- LEFT HAND DOOR OPPOSITE
- DIMENSIONS ARE IN INCHES
- DRAWING NOT TO SCALE

300 SERIES : TOP JAMB INSTALLATION (PUSH SIDE)

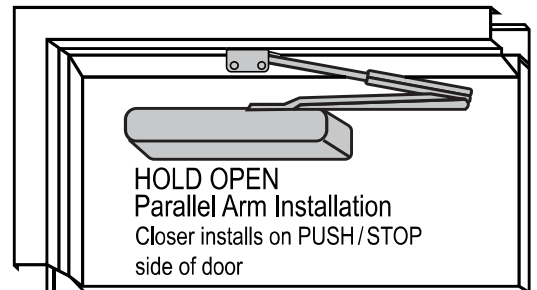
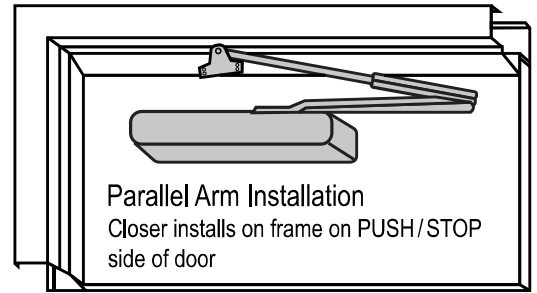
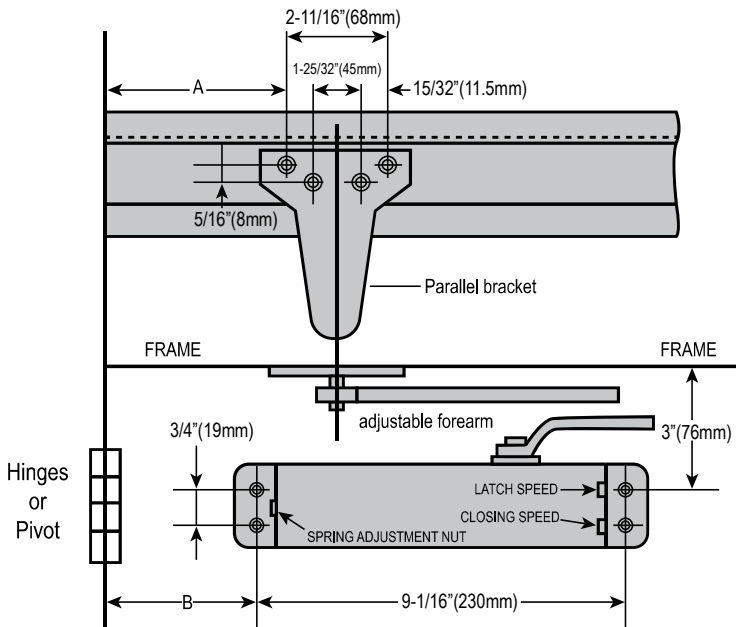


OPENING	DIM A
TO 100°	5-1/2" (140 mm)
100° 120°	5-1/8" (130 mm)
OVER 180°	3-17/22" (90 mm)



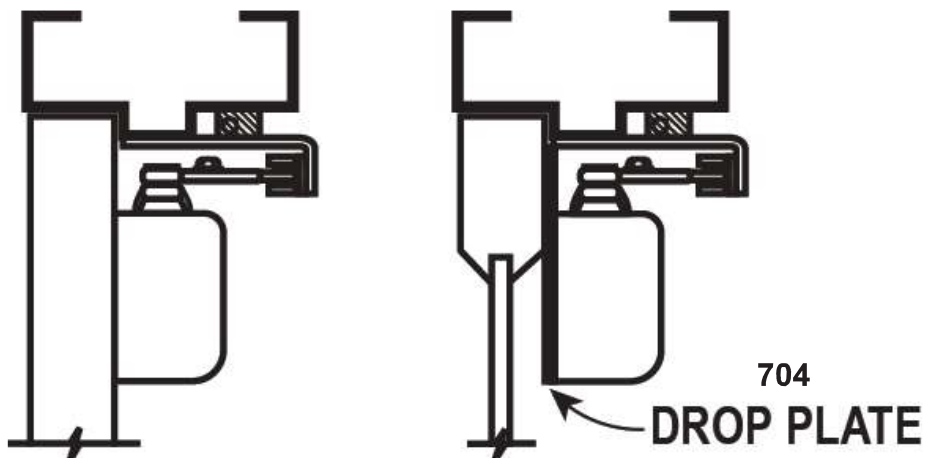
- LEFT HAND DOOR SHOWN
- RIGHT HAND DOOR OPPOSITE
- DIMENSIONS ARE IN INCHES
- DRAWING NOT TO SCALE

300 SERIES : PARALLEL ARM INSTALLATION (PUSH SIDE)



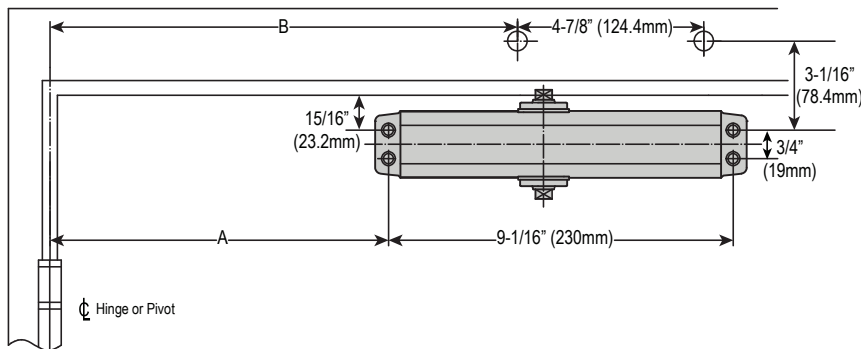
OPENING	DIM A	DIM B
TO 100°	7-7/8" (200 mm)	5-29/32" (150 mm)
120° - 180°	6-11/16" (170 mm)	4-23/32" (120 mm)

- LEFT HAND DOOR SHOWN
- RIGHT HAND DOOR OPPOSITE
- DIMENSIONS ARE IN INCHES
- DRAWING NOT TO SCALE

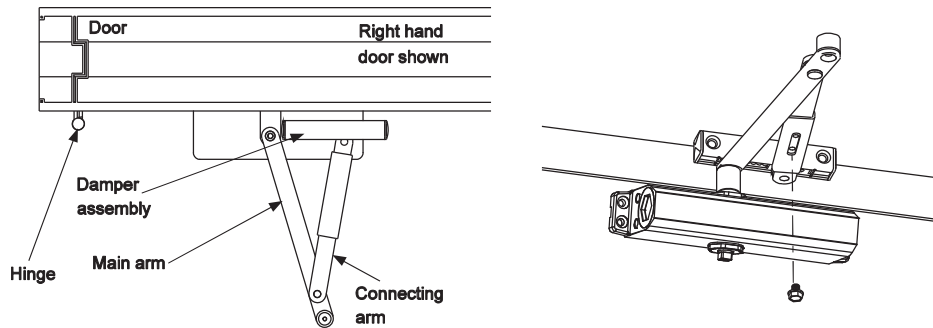


Cushion Heavy Duty Stop Spring Arm with Spring Shoe

300 SERIES : REGULAR ARM INSTALLATION (PULL SIDE)

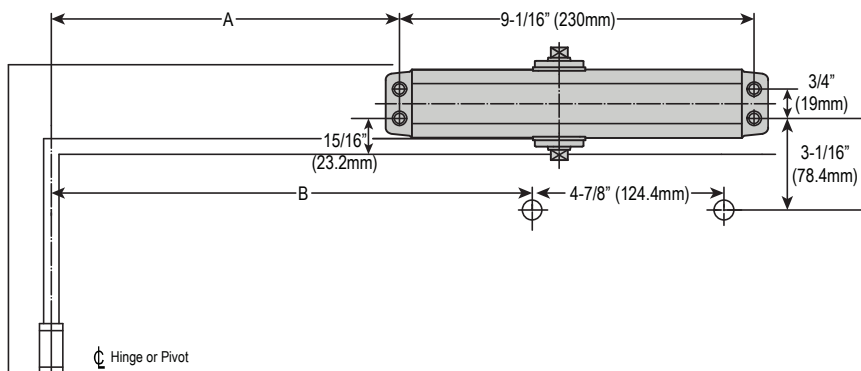


OPENING	DIM A	DIM B
TO 85°	8-7/8" (226mm)	12-1/4" (312mm)
TO 90°	8-1/4" (210mm)	11-5/8" (296mm)
TO 100°	7-3/8" (188mm)	10-13/16" (274mm)
TO 110°	6-5/8" (168mm)	10-1/16" (255mm)

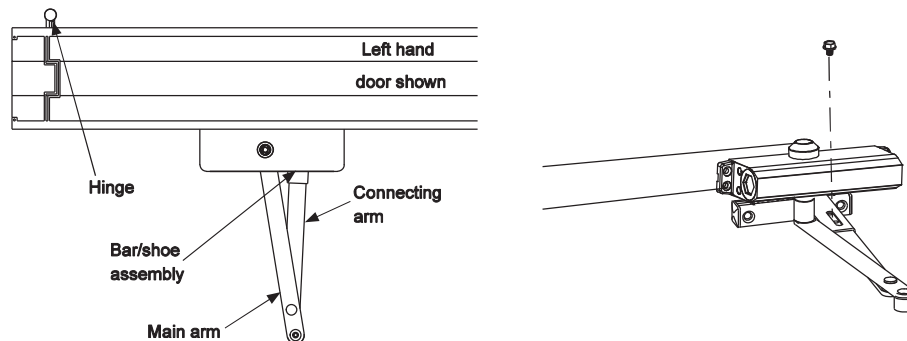


- RIGHT HAND DOOR SHOWN
- LEFT HAND DOOR OPPOSITE
- DIMENSIONS ARE IN INCHES
- DRAWING NOT TO SCALE

300 SERIES : TOP JAMB INSTALLATION (PUSH SIDE)



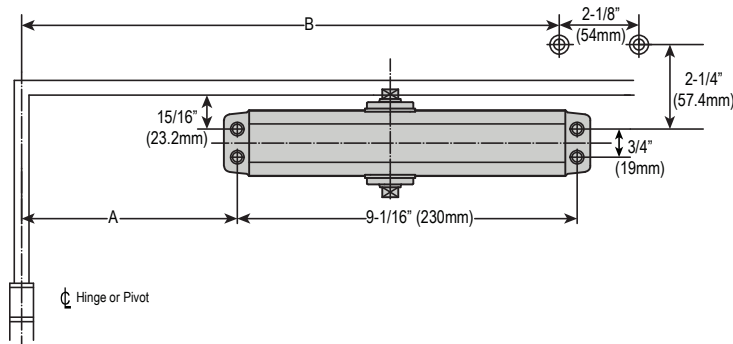
OPENING	DIM A	DIM B
TO 85°	7-13/16" (198.4mm)	11" (279mm)
TO 90°	7-1/2" (190.4mm)	10-11/16" (271mm)
TO 100°	6-3/8" (162.4mm)	9-9/16" (243mm)
TO 110°	5-3/4" (146.4mm)	8-15/16" (227mm)



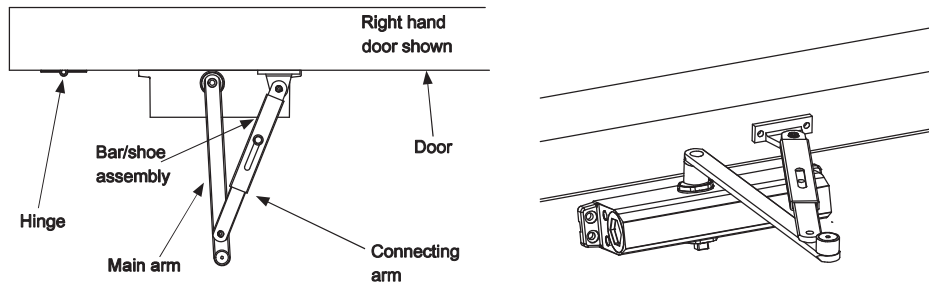
- LEFT HAND DOOR SHOWN
- RIGHT HAND DOOR OPPOSITE
- DIMENSIONS ARE IN INCHES
- DRAWING NOT TO SCALE

Cushion Heavy Duty Stop Arm

300 SERIES : REGULAR ARM INSTALLATION (PULL SIDE)

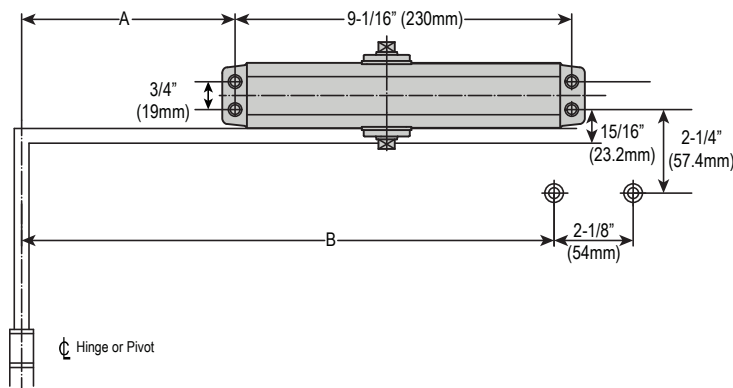


OPENING	DIM A	DIM B
TO 85°	5-3/4\"/>	

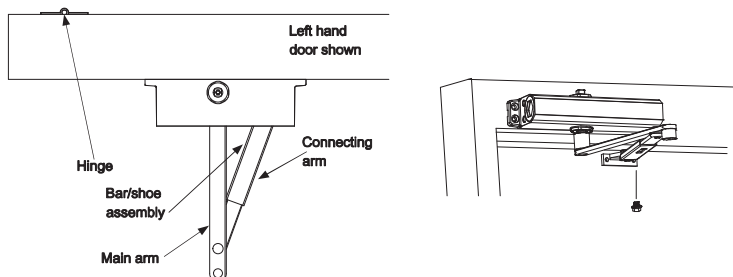


- RIGHT HAND DOOR SHOWN
- LEFT HAND DOOR OPPOSITE
- DIMENSIONS ARE IN INCHES
- DRAWING NOT TO SCALE

300 SERIES : TOP JAMB INSTALLATION (PUSH SIDE)



OPENING	DIM A	DIM B
TO 85°	6-3/8\"/>	



- LEFT HAND DOOR SHOWN
- RIGHT HAND DOOR OPPOSITE
- DIMENSIONS ARE IN INCHES
- DRAWING NOT TO SCALE

OPTIONAL INSTALLATION

<p>REGULAR ARM (PULL SIDE)</p>	<p>MAXIMUM OPENING: 180° (Standard), 120° (Hold Open)</p> <p>OPTIONAL INSTALLATION ARMS</p> <ul style="list-style-type: none"> • 301 / 302 - Hold-Open Arm & Parallel Bracket • TRACK / 900 - Slide Track Arm with Removable Hold-Open
<p>TOP JAMB (PUSH SIDE)</p>	<p>BRACKETS</p> <ul style="list-style-type: none"> • 704 - Flat Drop Bracket
<p>PARALLEL ARM (PUSH SIDE)</p>	<p>MAXIMUM OPENING: 180° (Standard), 120° (Hold Open)</p> <p>OPTIONAL INSTALLATION ARMS</p> <ul style="list-style-type: none"> • 301 / 302 - Hold Open Arm & Parallel Bracket • TRACK / 900 - Slide Track Arm with Removable Hold-Open <p>BRACKETS</p> <ul style="list-style-type: none"> • 704 - Flat Drop Bracket • 904 - Parallel Arm Drop Bracket for Non-Hold Open Parallel Arm Applications to Clear a Surface-Applied Stop / Holder • 905 - Parallel Arm Bracket

				
<p>RHDSA-SS</p> <ul style="list-style-type: none"> • Cushion Heavy Duty Stop Spring Arm with spring shoe • Provides a spring assisted dead stop function for regular and top jamb applications at 85°, 90°, 100°, and 110°. • Non-Handed • 0"-3 1/2" (0-89mm) Reveal • Equivalent to Dorma 8600 Series Spring Stop IS Arm 	<p>RHDSTP</p> <ul style="list-style-type: none"> • Cushion Heavy Duty Stop Arm • Provides a cushioned opening function for regular and top jamb applications at 85°, 90°, 95°, 100°, 105°, and 110°. • Non-Handed • 0"-3 1/2" (0-89mm) Reveal • Equivalent to Dorma 8600 Series Cushion IS Arm, and Norton 1600 Series 7701-CA Arm 	<p>301 / 302</p> <ul style="list-style-type: none"> • Hold-Open Arm and Parallel Bracket • Forged Steel Constructions • Non-handed 	<p>TRACK / 900</p> <ul style="list-style-type: none"> • Slide track arm • With removable hold-open clip • Non-handed 	<p>COV / 400</p> <ul style="list-style-type: none"> • Full cover • Non-handed • Plastic Material
				
<p>970138</p> <ul style="list-style-type: none"> • Sex bolts for 1 3/4" doors • Female part only • 1/4" - 20 (set of 4) • For Steel Door Application 	<p>970</p> <ul style="list-style-type: none"> • Sex bolts • Female part only • 1/4" - 20 (set of 4) • For Steel Door Application 	<p>904</p> <ul style="list-style-type: none"> • Parallel arm drop bracket • Non-handed • Required for non-hold open parallel arm applications • To clear a surface-applied stop / holder 	<p>905</p> <ul style="list-style-type: none"> • Parallel arm bracket • Non-handed 	<p>704</p> <ul style="list-style-type: none"> • Flat drop bracket • Non-handed