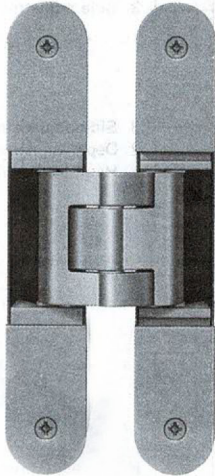
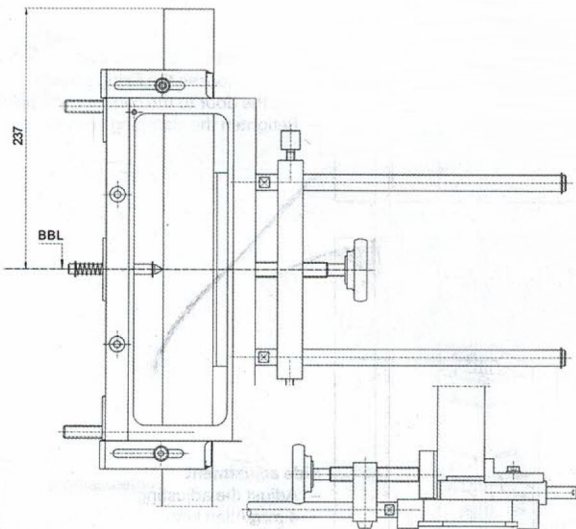


Concealed hinge system
for unrebated interior doors



Infinitely variable 3D adjustment:
Side and height +/- 3 mm, depth +/- 1 mm
Adjustments made using a 4 mm Allen key

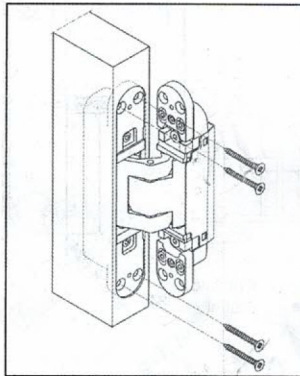
Hinge reference line (HRL):
The 1st HRL is 241 mm from the frame rebate or 237 mm from the upper edge of the door rebate. The distance between the 1st and 2nd HRL depends on the height of the door leaf.



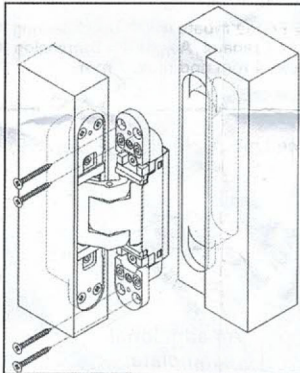
Adjust the template
Once the HRL dimensions have been transferred, clamp the universal cutting milling frame onto the door or frame. Follow the fixing instruction and the information on the template!

Templates
Select the cutting template listed below, depending on the hinge type:

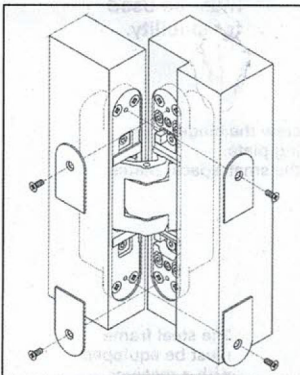
Installation



Conduct the routing, cutter 24 mm Ø, collar ring 30 mm Ø, screw hinge door part (marked as door) using 5 mm Ø wood screws.



Fasten hinge frame part depending on the frame type. If required, please loose slightly the upper clamping screws for the height adjustment. **Block frame:** Screw with 5 mm Ø wood screws. For further frame types, see page 2

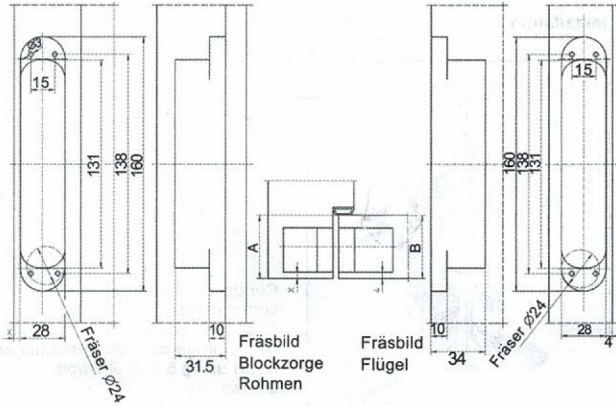


Screw the small cover plates using the enclosed tapping screws onto frame and door part.

Double-check the fastening of all clamping and fixing screws after installation.

Concealed hinge system for unrebated interior doors

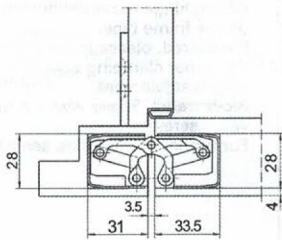
Milling dimensions for timber doors



Calculation of milling dimensions: A = Frame rebate depth up to sealing level, B = Door leaf thickness or first door rebate: $A - B + 4 = \text{Dimension X}$
 The result must be a dimension between 4 mm and max. 7 mm.
 (Steel frame: X = 5 mm)

Installation situations of further frame types

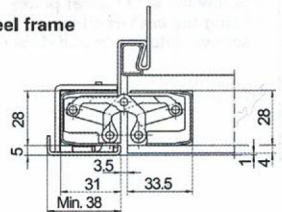
Wooden casing frame



An additional fixing plate must be used for stability.

Position the fixing plate at the rear. Screw the hinge using the enclosed M5 screws on to the fixing plate. Depending on the frame design, use the small spacer plates.

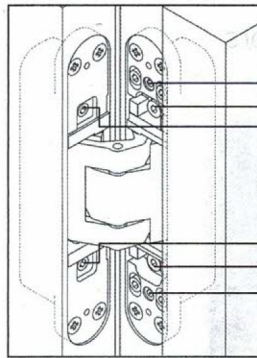
Steel frame



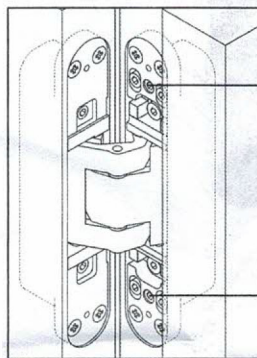
The steel frame must be equipped with a receiver for fastening.

Aluminium frame: with the receiver of the frame manufacturer

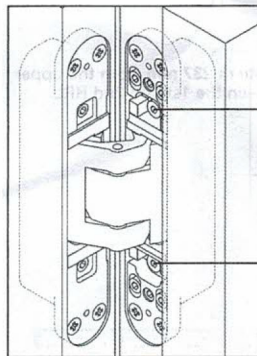
Infinitely variable 3D adjustment (4 mm Allen key)



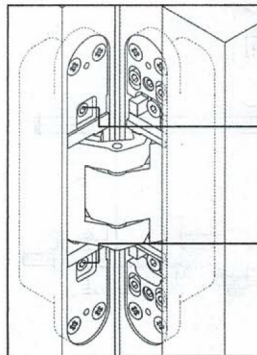
- Adjustment screws**
- 1 Height adjustment
 - 2 Depth adjustment
 - 3 Side adjustment



- Height adjustment**
- Slightly loosen the clamping screws
 - Adjust the vertical position of the door by turning the lower height adjustment screw (turn the upper height adjustment screw in the opposite direction if necessary)
 - Retighten the clamping screws



- Depth adjustment**
- Slightly loosen the fixing screws
 - Put the door to the correct compression
 - Retighten the clamping screws



- Side adjustment**
- Adjust the adjusting spindles using a 4 mm Allen key
 - Twist right - towards hinge (max. 3 mm)
 - Twist left - towards lock (max. 3 mm)