

# ALTATRAK 5

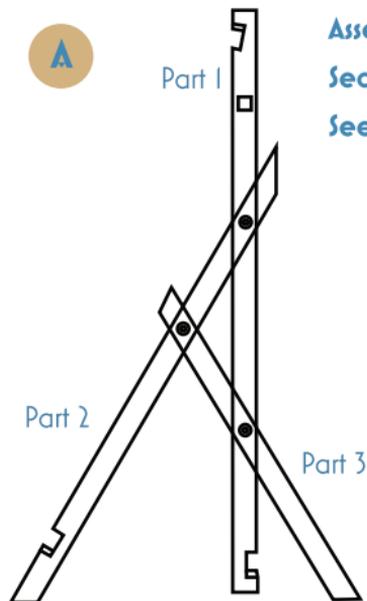
guitar rack



**Assembly Booklet**

# Assembly Overview

A

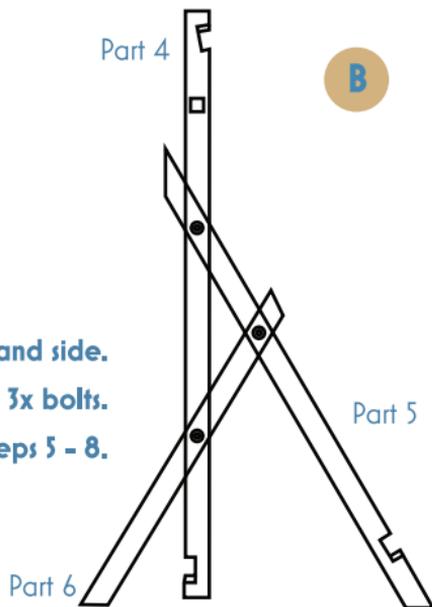


**Assemble the left-hand side.**

**Secure with 3x bolts.**

**See assembly Steps 1 - 4.**

B



**Assemble the right hand side.**

**Secure with 3x bolts.**

**See assembly Steps 5 - 8.**



Part 7 (Top Piece)



C

Part 8 (Front Piece)



Part 9 (Back Piece)



**Attach Part 8 to the assembled left-hand side and right-hand side pieces. Secure with 2x bolts. Repeat for Part 7 and 9.**

**See assembly Steps 9 - 13.**

**Insert Guitar Separators into Part 7.**

**Configure guitar rack to suit your collection.**

**See further configuration information in booklet.**

D



The Rhythm & Timbre AltaTrak guitar rack has been designed to complement your guitar collection and offer a safe place for your instruments to rest.

Our guitar rack is designed with Italian and Japanese inspirations and aims to provide a functional, stylish and a safe storage solution for your guitar collection.

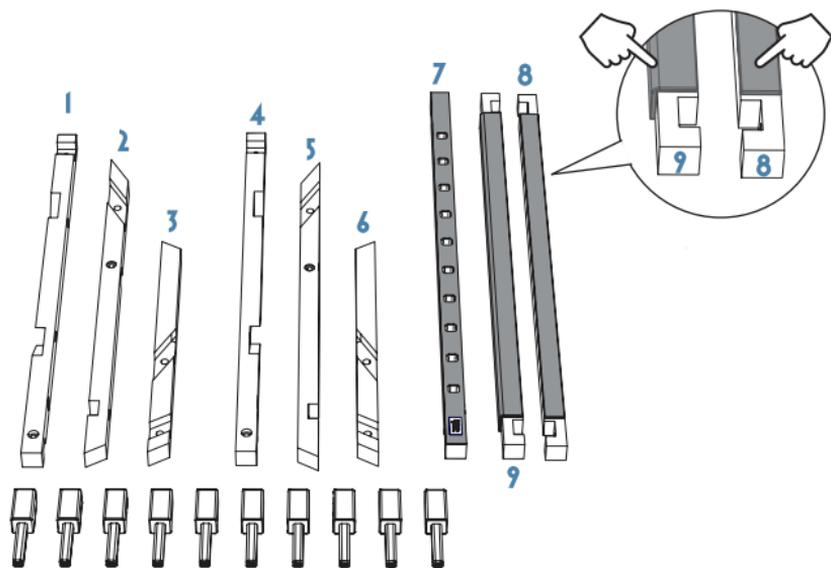
The guitar rack includes soft EVA foam sections to protect guitar bodies. The patented AltaTrak design provides a highly configurable guitar layout to suit many options, with the extra benefit of being able to hold some guitar cases.

We love hearing feedback and product suggestions, so please reach out via our website. We sincerely hope you enjoy our product!

R&T Team.



# Parts and Labels



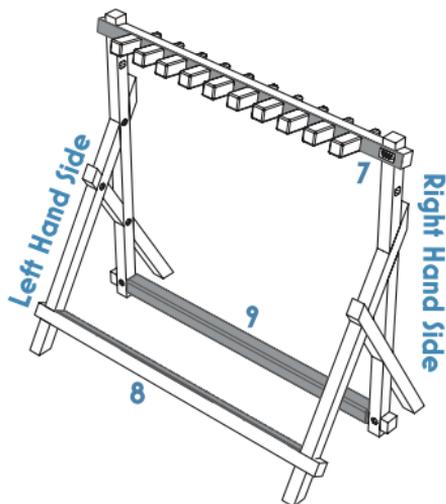
**Guitar Separators**



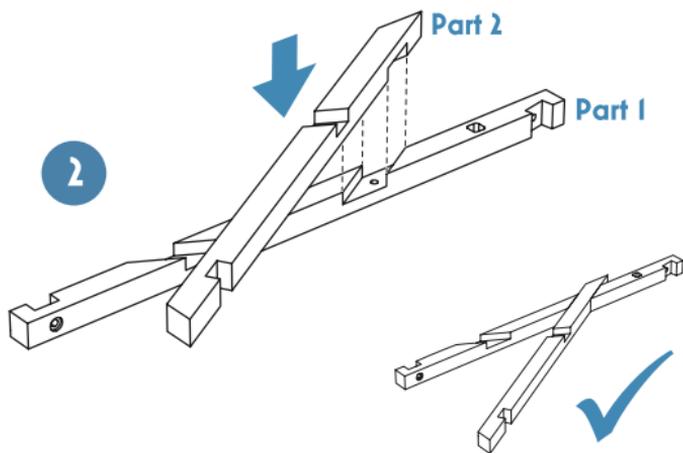
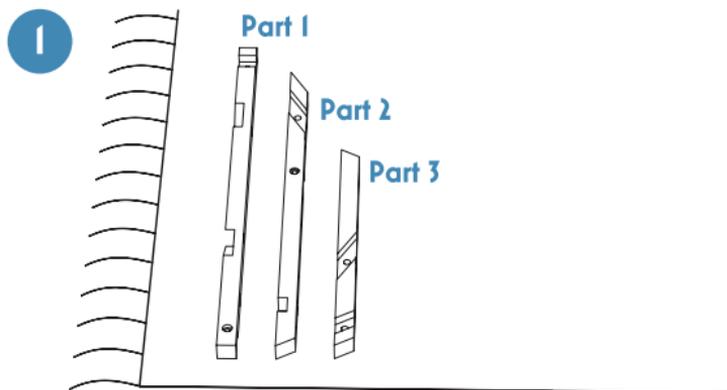
**Bolts**



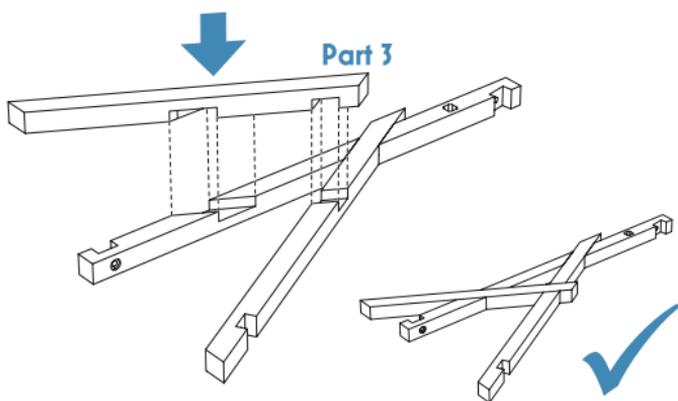
**Allen Key**



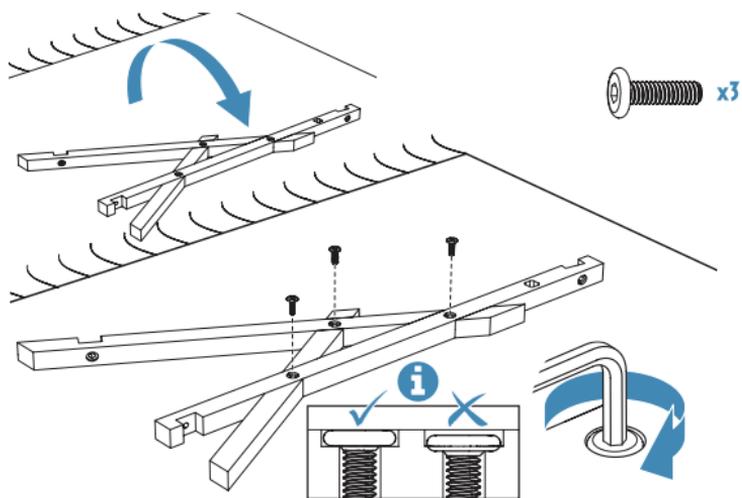
# Left Hand Side Assembly



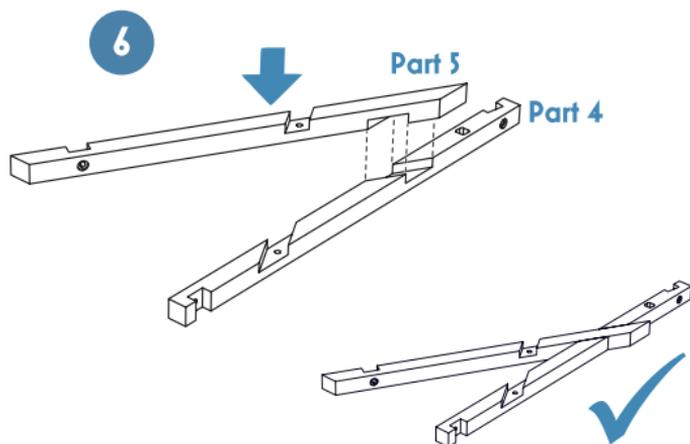
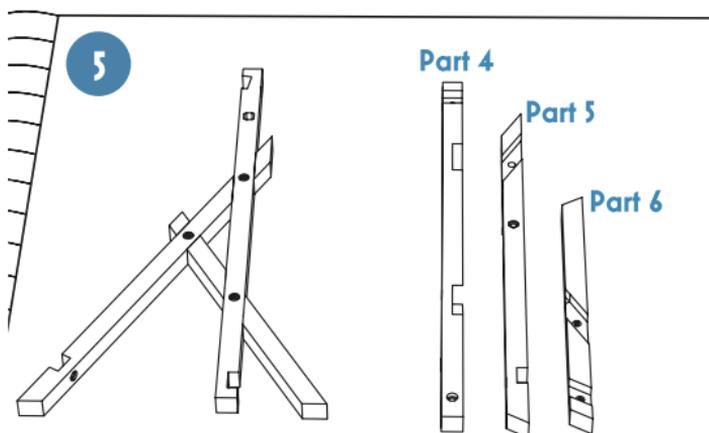
3



4

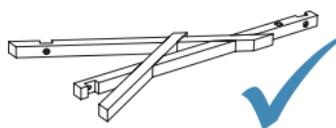
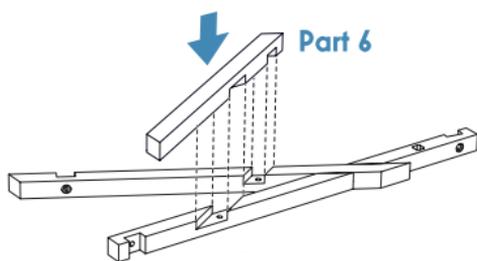


# Right Hand Side Assembly

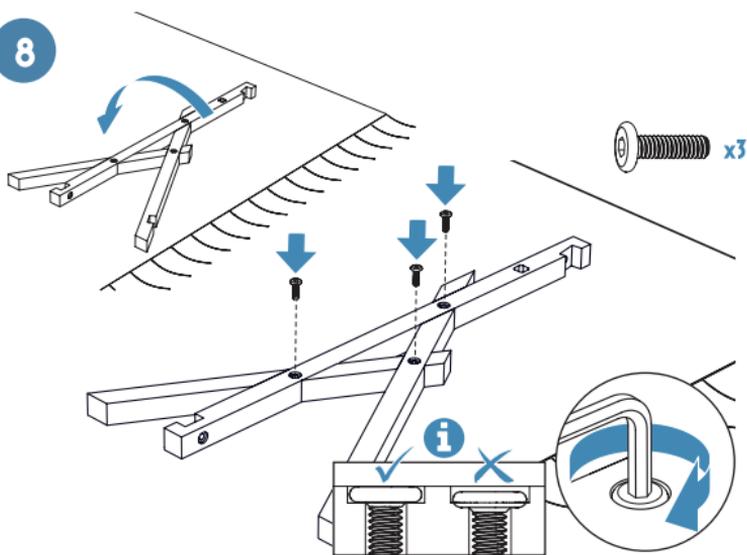




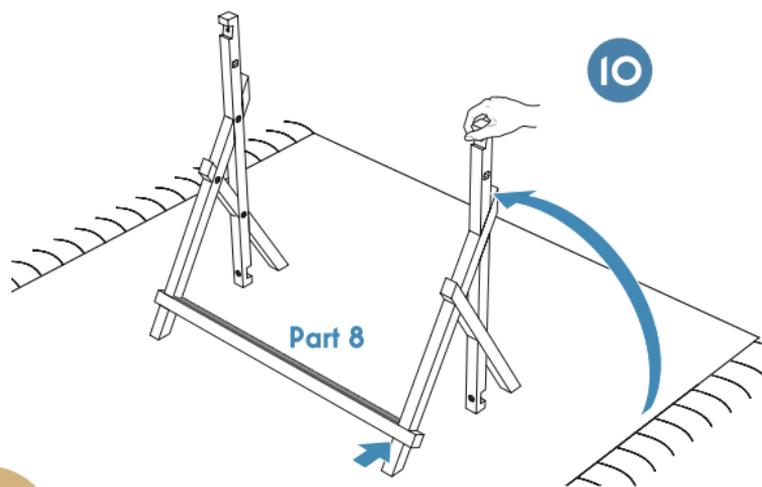
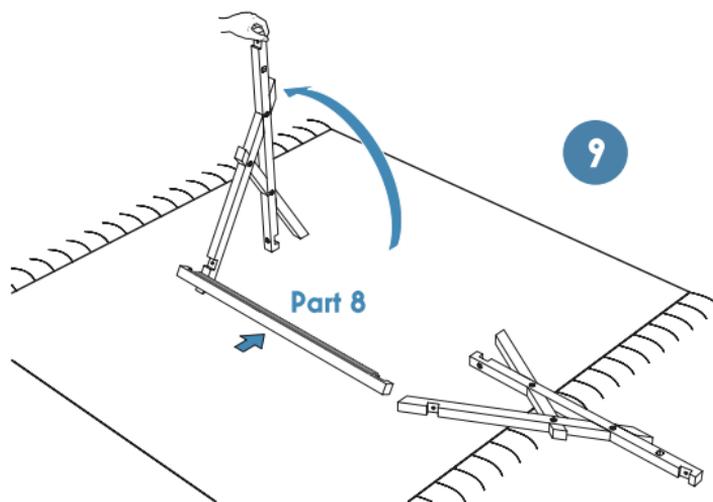
7



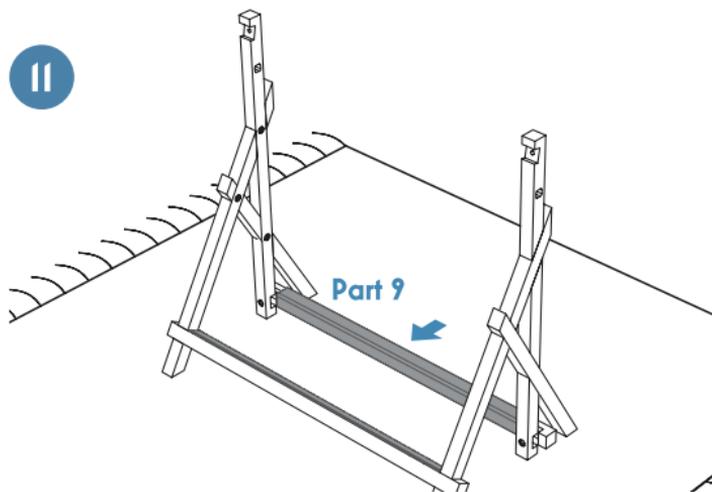
8



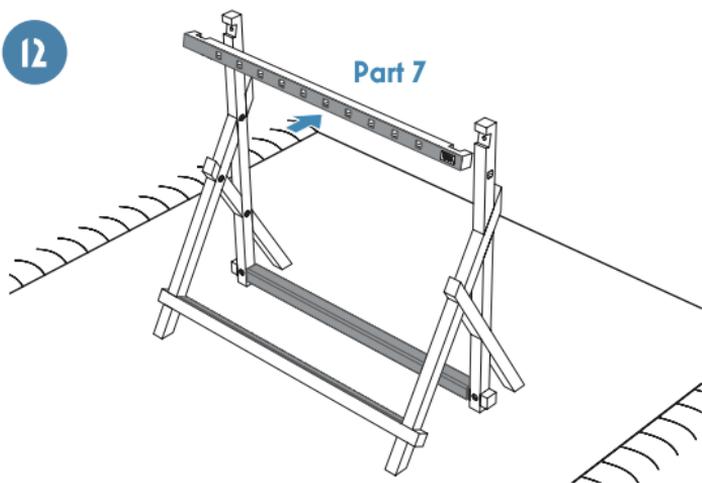
# Main Assembly

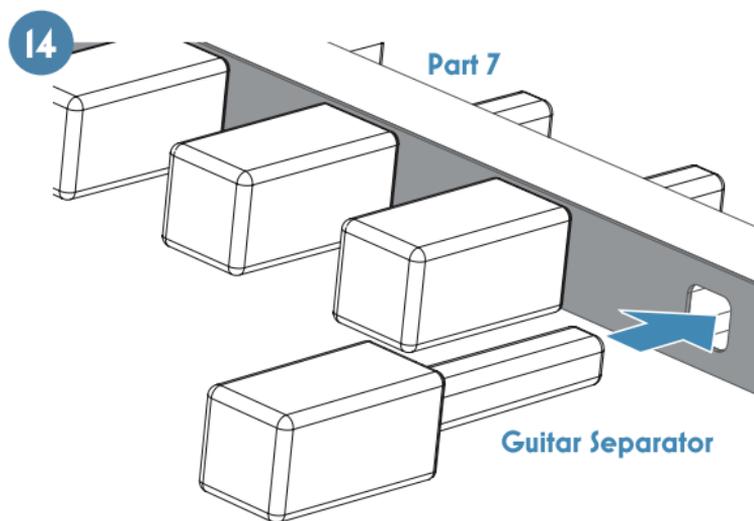
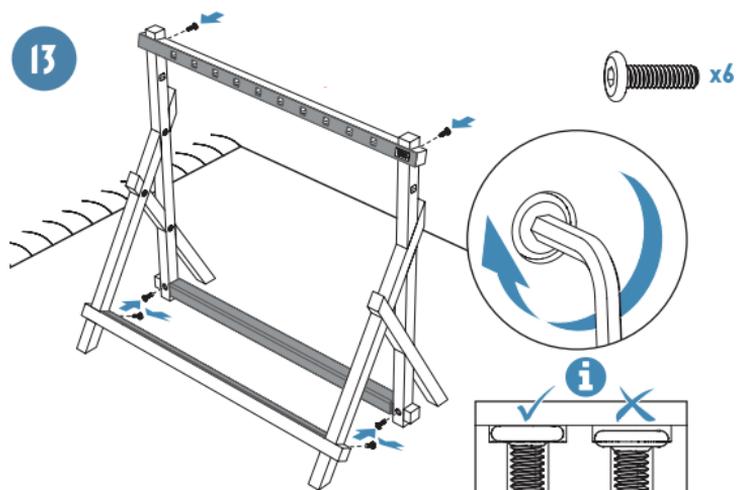


11



12

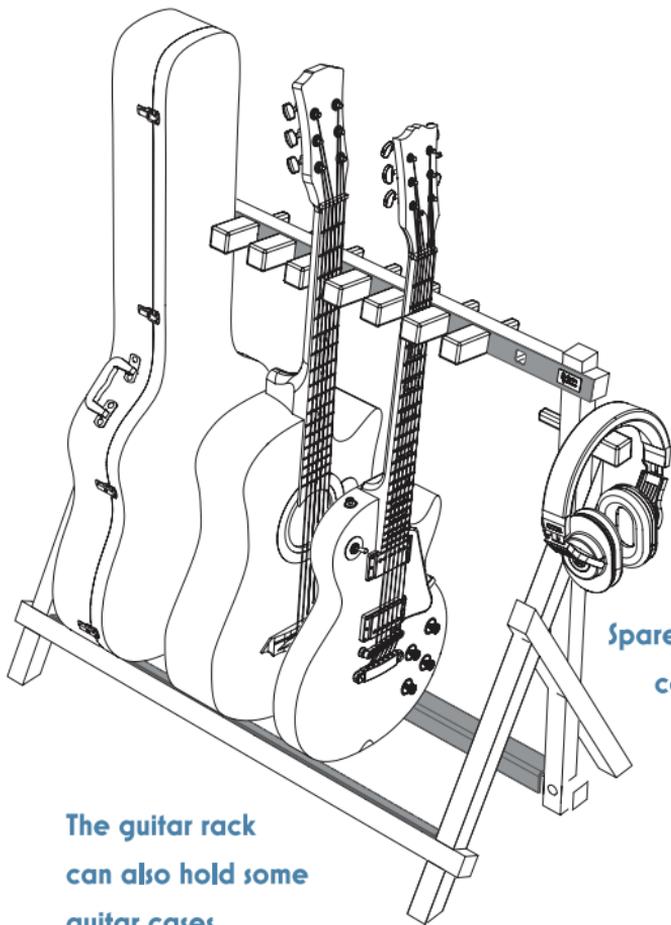




# Product Configurations

15

Configure the guitar rack layout to suit your guitar collection.



The guitar rack can also hold some guitar cases.

Spare Guitar Separators can be used to hold extra accessories.

Visit our website for more accessories

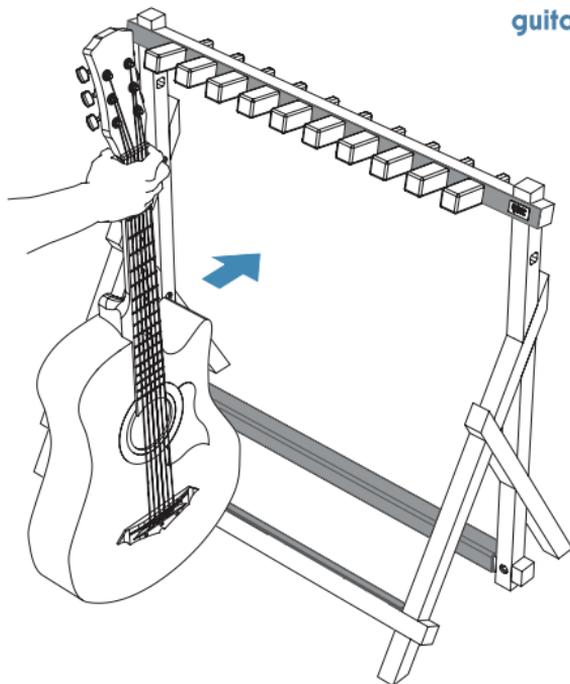


# Guitar Placement

A

Select a suitable spot for your guitar.

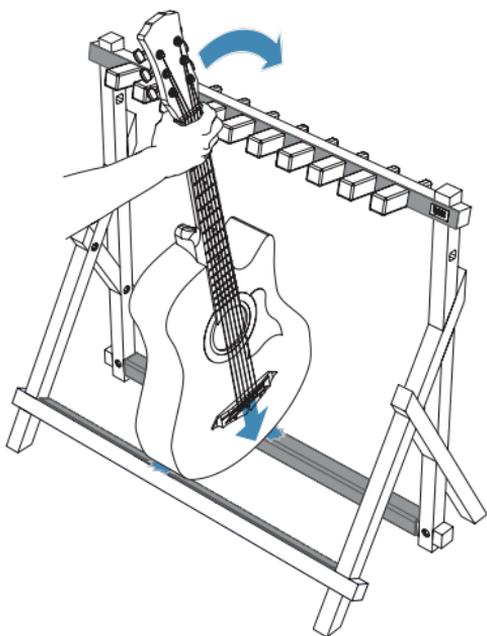
Carefully position the bottom of your guitar on to the two bottom support pieces of the guitar rack. (Part 8 & 9).



**B**

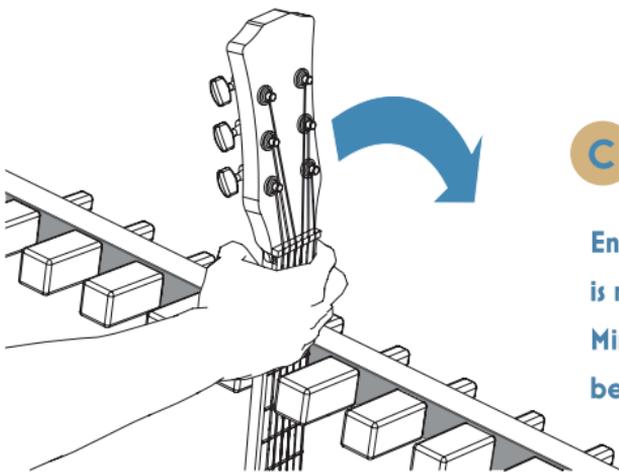
Ensure the bottom of the guitar has two contact points with the guitar rack.

Slide the guitar neck into the guitar holder.



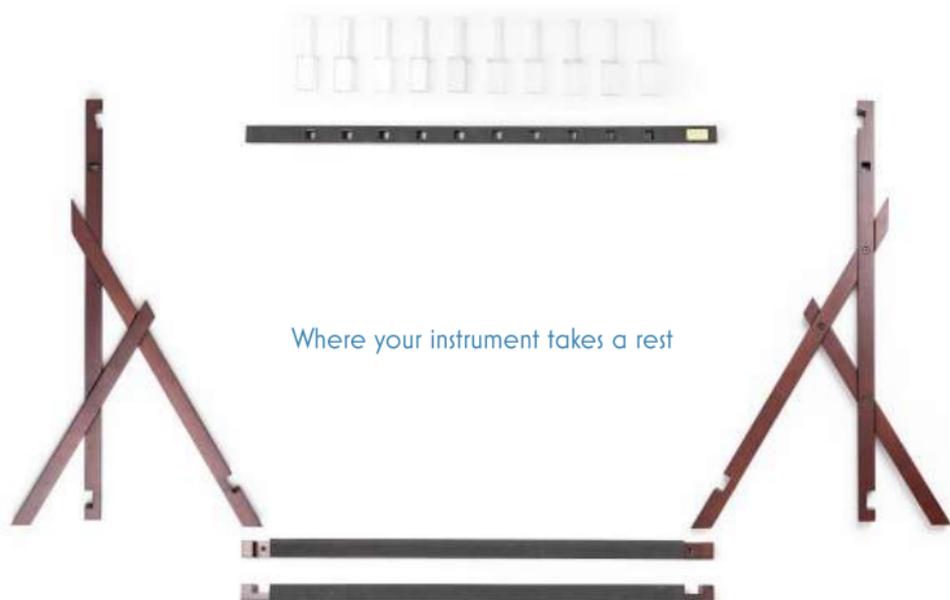
**C**

Ensure the guitar neck is resting on the EVA foam. Minor adjustments may be required.





# Rhythm<sup>TM</sup> & Timbre



[www.rhythmtimbre.com](http://www.rhythmtimbre.com)