



Rasita Bisani

SPECIALTY FOOD SERVICES EQUIPMENT

Coffee Art Plus



STANDARD FEATURES

- Fully automatic electronic espresso coffee machine.
- Push button operation.
- 7 button panel.
- Twelve Programmable selections from espresso, cappuccino, coffee latte.
- Grind, tamp, brew settings programmable for each espresso selection.
- Temperature, texture settings programmable for each steam selection.
- Steam wand with auto shut-off.
- Steam wand with finesteam® technology.
- Two separate boilers.
- Dual coffee bean hoppers 2.2 lbs each.
- Espresso cleaning cycle.
- Technical diagnostics menu for authorized service vendor.
- 220/60/1
- Black Finish.

OPTIONS

- 2x8 Button Panel Design
- Double spout adjustable height
- Water Filtration System

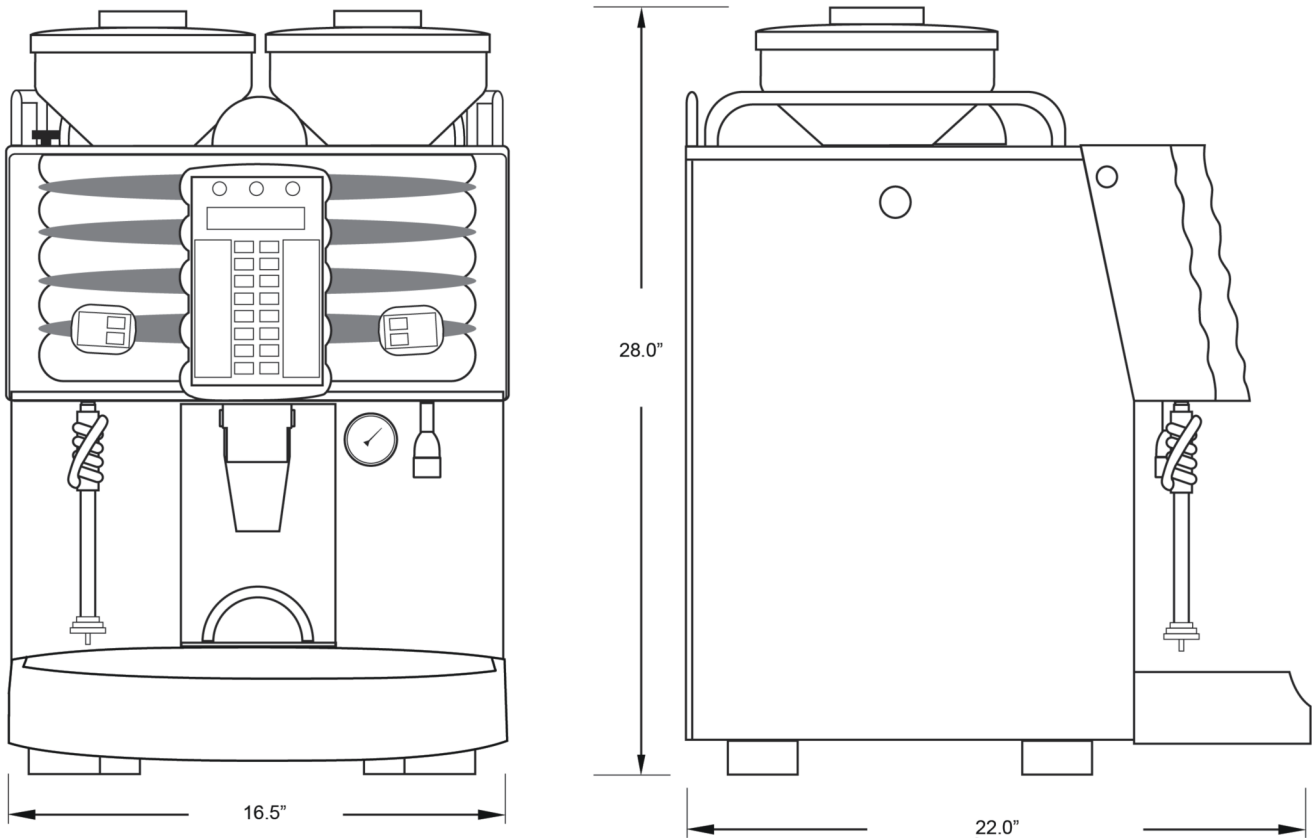
ITEM:

PROJECT:

DATE:

Coffee Art Plus

Coffee Art Plus



Dimensions (inches)			Shipping Wt.	Power	Amps	Capacity
W	D	H				
16.5	22	28	130 lbs.	220/60/1	30 dedicated circuit	32 oz. milk in 1 minute. 70 ~ 80 (16 oz.) cappuccino or caffe latte per hour.

Rosito Bisani Imports, Inc.
940 South La Brea Avenue, Los Angeles CA, 90036
Tel: 323-937-1888 • Fax: 323-938-0728 • Toll Free: 1-800-848-4444
E-mail: sales@rosito-bisani.com

www.rosito-bisani.com

530 South Henderson Road, Suite F, King of Prussia PA, 19406
Tel: 610-265-5950 • Fax: 888-576-8524



Intertek