

Item# _____
Project: _____
Qty: _____

Deluxe Series Work Table with Turnup Stainless Steel 16 Gauge

*5" Closed end
turnup*



Serv-Ware

Features

- 304 Series Stainless Steel Top, 16 Gauge
- 430 Stainless Steel Undershelf, 18 Gauge
- 5" Boxed in Turnup
- Stainless Steel Legs, Inserts, Gussets
- Stainless Steel Center Support Channel (48" & up)



Serv-Ware
www.servware.com

Phone:(800).768.5953

Fax:(800).976.1299

Revised 1/17

304
Stainless Steel

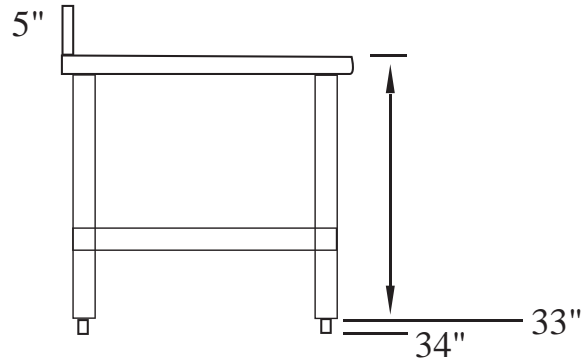
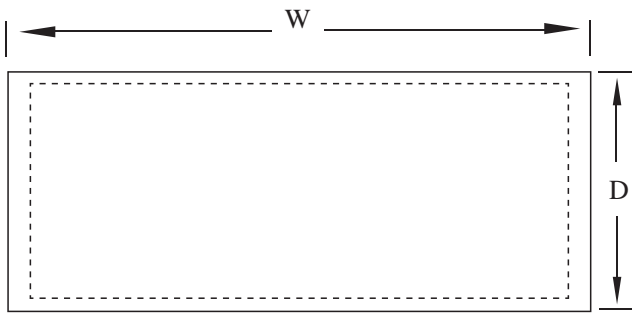


Item# _____

Project: _____

Qty: _____

Deluxe Series Work Table with Turnup Stainless Steel 16 Gauge



Serv-Ware

Model

Size

Weight/lbs

	(D x W)	(Shipping)
T3036CWP-16BS	30" x 36"	54
T3048CWP-16BS	30" x 48"	65
T3060CWP-16BS	30" x 60"	76
T3072CWP-16BS	30" x 72"	88



Serv-Ware
www.servware.com

Phone: (800).768.5953

Fax: (800).976.1299

Revised 1/17

