

Item# _____
Project: _____
Qty: _____

Standard Series Work Table with Turnup Stainless Steel 18 Gauge

2" Closed end
turnup



Serv-Ware

Features

- 304 Series Stainless Steel
- 18 Gauge Construction
- Galvanized Under Shelf
- Galvanized Legs with Plastic Feet Inserts
- 2" "Closed End" Turnup



Serv-Ware
www.servware.com

Phone:(800).768.5953

Fax:(800).976.1299

Revised 1/17

304
Stainless Steel

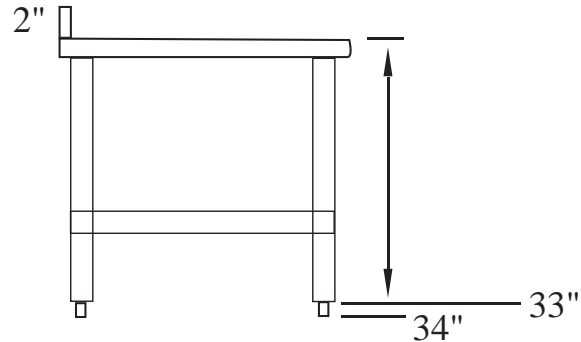
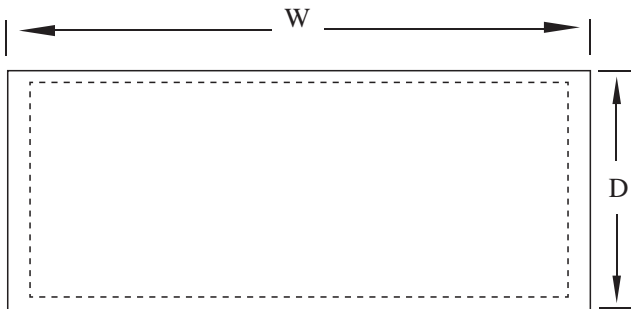


Item# _____

Project: _____

Qty: _____

Standard Series Work Table with Turnup Stainless Steel 18 Gauge



Model	Size (D x W)	Weight/lbs (Shipping)
T2424CWP-3-T	24" x 24"	36
T2430CWP-3-T	24" x 30"	42
T2436CWP-3-T	24" x 36"	46
T2448CWP-3-T	24" x 48"	56
T2460CWP-3-T	24" x 60"	66
T2472CWP-3-T	24" x 72"	76
*T2496CWP-3-T	24" x 96"	96
T3015CWP-3-T	30" x 15"	35
T3018CWP-3-T	30" x 18"	37
T3024CWP-3-T	30" x 24"	43
T3030CWP-3-T	30" x 30"	49
T3036CWP-3-T	30" x 36"	52
T3048CWP-3-T	30" x 48"	62
T3060CWP-3-T	30" x 60"	72
T3072CWP-3-T	30" x 72"	82
*T3096CWP-3-T	30" x 96"	102

* 6 Legs



Serv-Ware
www.servware.com

Phone:(800).768.5953

Fax:(800).976.1299

Revised 1/17

