

PROJECT:	_____
LOCATION:	_____
ITEM#:	_____
QUANTITY:	_____

COMPETITOR SERIES®

C-SP27-8

C-SP48-12

C-SP60-16

C-SP72-18

STANDARD TOP SANDWICH PREPARATION TABLES

- Beautiful ergonomic construction & rounded corners
- Electro-mechanical thermostat with thermometer read-out (Mid Year 2015: Digital temperature controller & read out)
- All stainless steel exterior and interior
- Forced air refrigeration system
- 9 1/4" deep cutting board included
- Recessed door handles
- Pre-installed casters and shelving
- 90 degree hold open door feature for loading products
- Migali Industries® Protection Plan: 1 Year Parts & Labor Warranty, 5 Years Compressor Warranty

MODEL	DOORS	Num. of 1/6 Size Pans*	Cu/Ft	SHELVES	H/P	AMPS	VOLTAGE	WEIGHT(lbs)	ENERGY CONSUMPTION Kwh/24hr	PLUG TYPE	DIMENSIONS L x D x H	TEMPERATURE RANGE
C-SP27-8	1	8	6.5	1	1/4	3.3	115/60/1	198 lbs.	2.6	Nema 5-15P	27.5" x 30" x 46.6"	+33° F (-) +41° F
C-SP48-12	2	12	12	2	1/3	5.1	115/60/1	242 lbs.	3.6	Nema 5-15P	48.2" x 30" x 46.6"	+33° F (-) +41° F
C-SP60-16	3	16	18.2	2	1/2	5.1	115/60/1	300 lbs.	3.6	Nema 5-15P	60.2" x 30" x 46.6"	+33° F (-) +41° F
C-SP72-18	4	32	24.5	2	1/2	5.7	115/60/1	373 lbs.	4.1	Nema 5-15P	72.7" x 30" x 46.6"	+33° F (-) +41° F

* MIGALI® RESERVES THE RIGHT TO CHANGE SPECIFICATIONS WITHOUT NOTICE

* NOTE: PAN BARS ARE INCLUDED
* NOTE: PANS ARE NOT INCLUDED

* TOTAL HEIGHT INCLUDES CASTERS



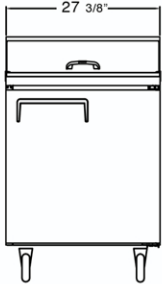
TOLL FREE: 800.852.5292
WEB: www.migali.com



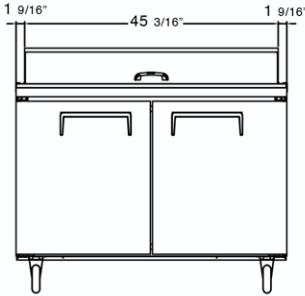
MIGALI® REMAINS AN AMERICAN FAMILY COMPANY SINCE 1955

DIMENSIONAL DRAWINGS

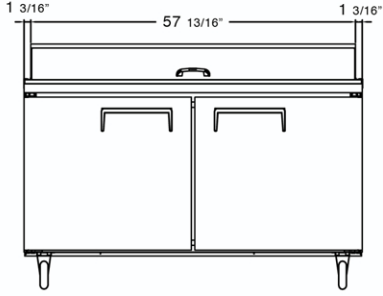
C-SP27-8



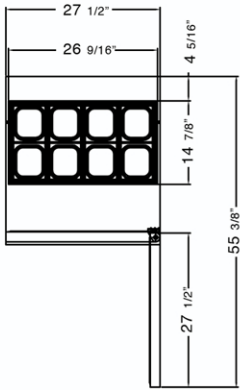
C-SP48-12



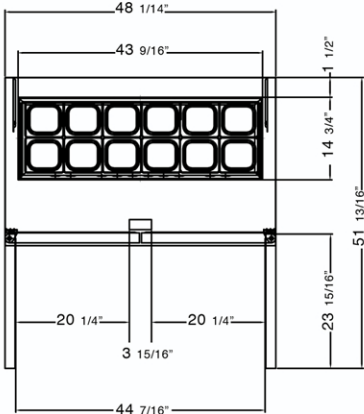
C-SP60-16



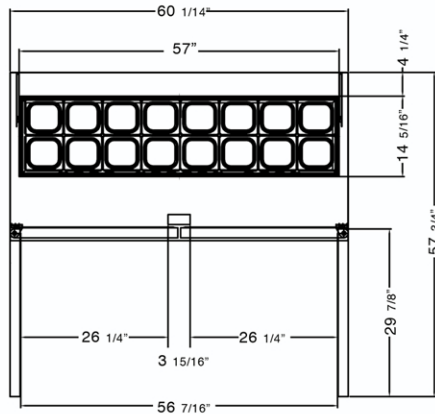
C-SP27-8 TOP VIEW



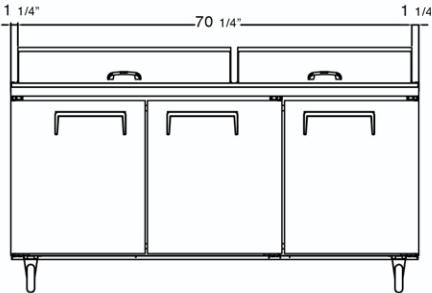
C-SP48-12 TOP VIEW



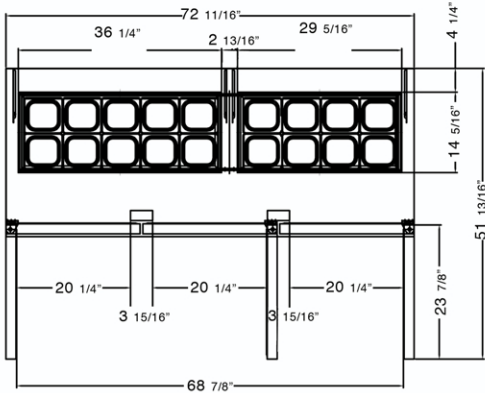
C-SP60-16 TOP VIEW



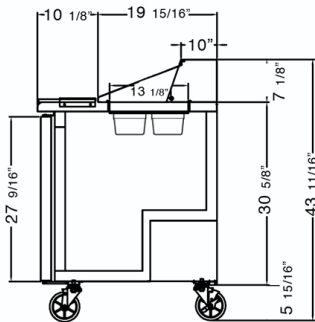
C-SP72-18



C-SP72-18 TOP VIEW



SIDE VIEW(1,2,3 DOOR)



TOLL FREE: 800.852.5292
 FAX: 856.963.3604
 EMAIL: contact@migali.com
 WEB: www.migali.com



MIGALI® REMAINS AN AMERICAN FAMILY COMPANY SINCE 1955