

MAXIMIZER

State of the Art Ventless Hood System

MODEL VL50

Optional component for:

- All electric Pizza Ovens
- All electric Bake Ovens

General Features:

- **Certified ventless**
by Underwriter's Laboratories
under 710B
- **Stainless Steel**
Durable and polished
18-gauge
- **Convenient**
Easily vent grease
laden vapors
- **Self contained, compact**
Eliminates need for duct work
or roof fans
- **Meets food service
requirements**
Triple filter system with updraft
technology designed to trap grease
particles, eliminate condensation,
and reduce cooking odors
- **Safe**
Optional built-in Ansul R-102 wet
chemical fire suppression system
(field installation must be performed
by an ANSUL distributor)
- **Alert System**
Color coded, lighted alert system
to ensure system is running safely
and efficiently
- **Interlocking Start Feature**
Does not allow hood and oven to
work separately

Warranty:

- Two year limited manufacturer's
warranty



ELECTRIC



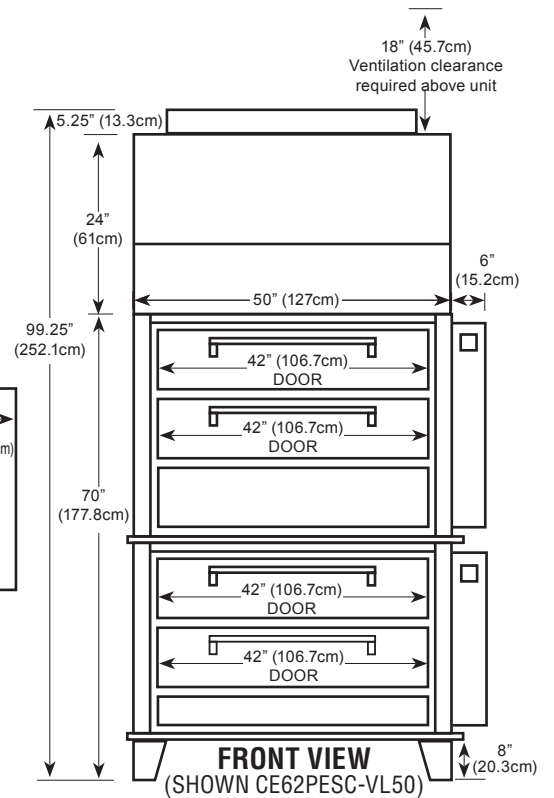
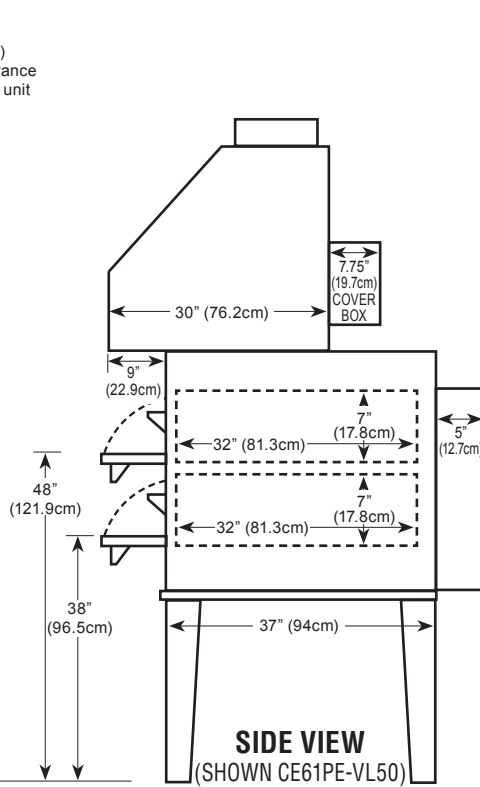
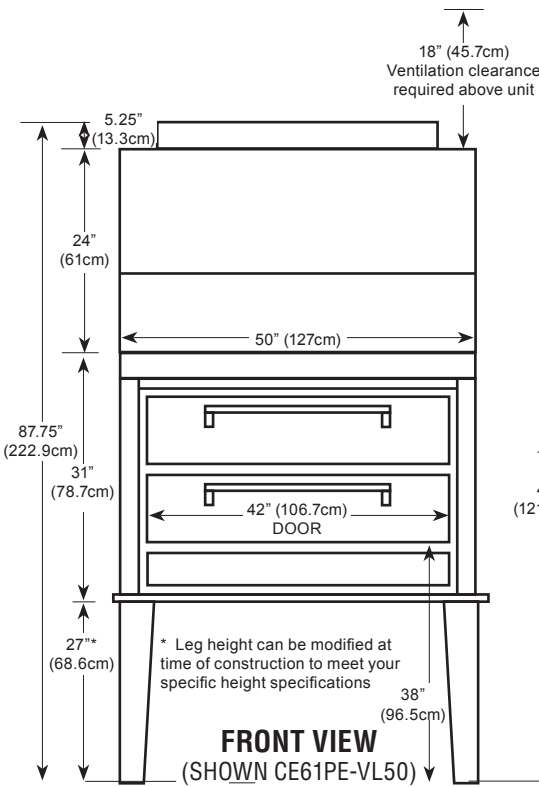
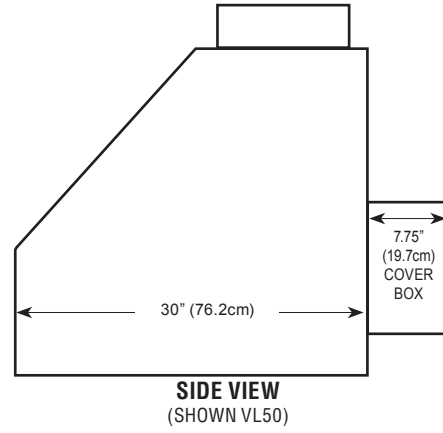
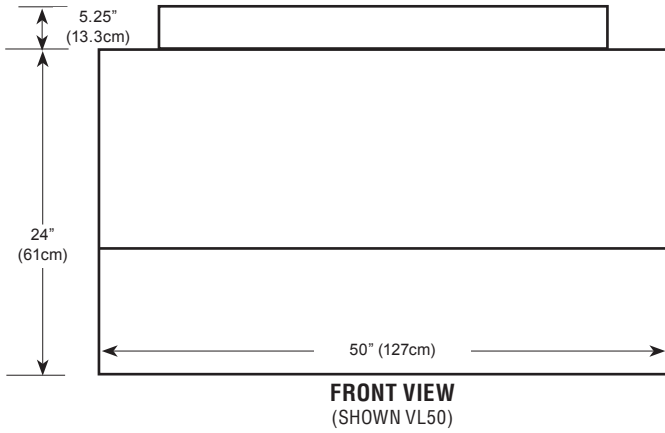
Shown CE61PE
with Ventless Hood

MORE FOR LESS

More Cooking Space per Floor Space
More Cooking Capacity per Sales Dollar
More Performance per Dollar



P.O. Box 859 • Sandusky, Ohio 44870 • (419) 625-4514 • FAX 625-4597



VL50 dimensions . . . 50" (127cm) wide x 37.75" (95.9cm) deep x 29.25" (74.3cm) high
Ventilation Clearance 18" (45.7cm) from top of unit, not including damper
Pull Station Clearance 30" (76.2cm)
Shipping weight VL50: 325 lbs (147.4kg)
CE61PE: 850 lbs (385.6kg)
CE62PESC: 1700 lbs (771.1kg)
Voltage 208/240 V AC, single or three phase

