



**COMPETITOR SERIES®**

PROJECT: \_\_\_\_\_  
 LOCATION: \_\_\_\_\_  
 ITEM#: \_\_\_\_\_  
 QUANTITY: \_\_\_\_\_



**C-PP44**



**C-PP67**



**C-PP93**

# PIZZA PREPARATION TABLES

- Beautiful ergonomic construction & rounded corners
- Digital temperature controller and read-out
- All stainless steel exterior and interior
- Forced air refrigeration system
- Side mount compressor for enhanced efficiency
- 19 1/2" deep cutting board included
- Recessed door handles
- Pre-installed casters and shelving
- 90 degree hold open door feature for loading products
- Migali® Protection Plan: 1 Year Parts & Labor Warranty, 5 Years Compressor Warranty

MODEL	DOORS	Num. of 1/3 Size Pans*	Cu/Ft	SHELVES	H/P	AMPS	VOLTAGE	WEIGHT(lbs)	ENERGY CONSUMPTION Kwh/24hr	PLUG TYPE	DIMENSIONS L x D x H*	TEMPERATURE RANGE
C-PP44	1	6	14	1	1/3	4.4	115/60/1	309 lbs.	2.9	Nema 5-15P	44" x 33" x 42"	+33° F (-) +41° F
C-PP67	2	9	20	2	2/3	7.6	115/60/1	550 lbs.	3.9	Nema 5-15P	67" x 33" x 42"	+33° F (-) +41° F
C-PP93	3	12	26	4	2/3	9	115/60/1	617 lbs.	4.8	Nema 5-15P	93" x 33" x 42"	+33° F (-) +41° F

\* MIGALI® RESERVES THE RIGHT TO CHANGE SPECIFICATIONS WITHOUT NOTICE

\* NOTE: PANS & PAN BARS ARE NOT INCLUDED

\* TOTAL HEIGHT INCLUDES CASTERS

\* HEIGHT IS FLOOR TO TOP OF BACK PAN RAIL



TOLL FREE: 800.852.5292

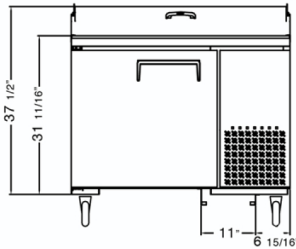
WEB: www.migali.com



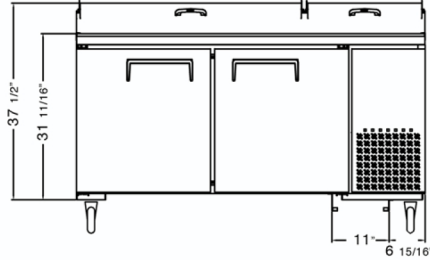
MIGALI® REMAINS AN AMERICAN FAMILY COMPANY SINCE 1955

# DIMENSIONAL DRAWINGS

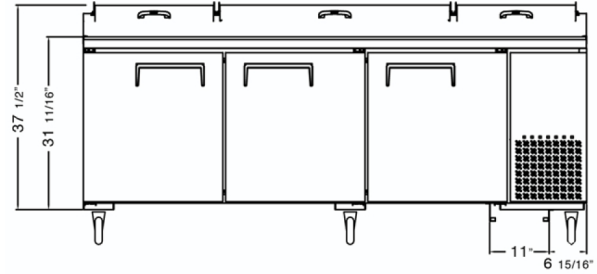
**C-PP44**



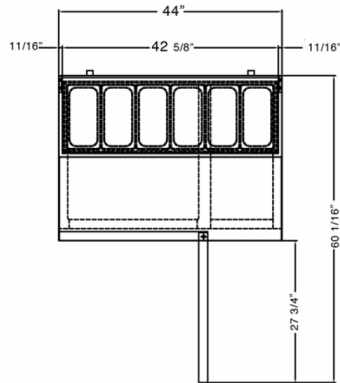
**C-PP67**



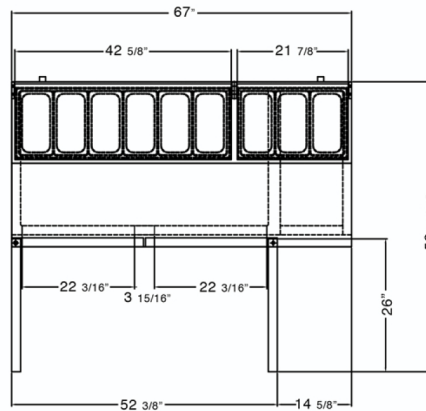
**C-PP93**



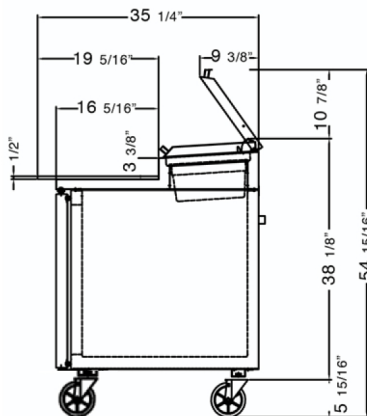
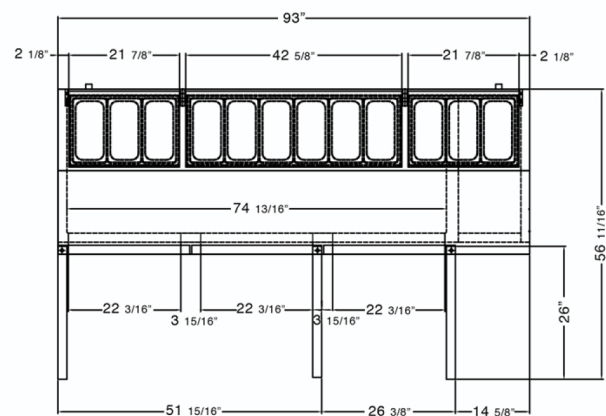
**C-PP44 TOP VIEW**



**C-PP67 TOP VIEW**



**C-PP93 TOP VIEW**



**SIDE VIEW (1,2,3 DOOR)**

**TOLL FREE:** 800.852.5292  
**FAX:** 856.963.3604  
**EMAIL:** contact@migali.com  
**WEB:** www.migali.com



MIGALI® REMAINS AN AMERICAN FAMILY COMPANY SINCE 1955