

**MODEL: IUC-UC27F**
**UNDERCOUNTER:  
Undercounter Freezers**

### General Strengths

- ✓ **Energy efficiency higher.** R290 refrigerant with electric fans and evaporative tray without electric resistances.
- ✓ **Sanitation.** The interior cabinet is built with rounded corners (extensive radius for easy cleaning). Quick ability to take off shelves and slides for interior cleaning. Each cabinet has a drain at the bottom of the unit. When cleaning the unit make sure the drain hose is routed to a floor drain.
- ✓ **Doors.** Self-closing door system with permanent pressure. Stay open feature included when door remains open after 95 degrees. All doors include triple chamber door gaskets, easy to remove and snap in. Doors are field reversible, parts not included.
- ✓ **Control systems.** Greater ability for the adjustment of temperature range as per the end user's requirements.
- ✓ **100% Tested.** All condenser units are 100% tested, in helium chambers for refrigerant leak detections.
- ✓ **Certified.** Audited and Certified by INTERTEK for compliance with UL 471 and NSF 7. AENOR audited and certified by internationally recognized firm. ISO 9001:2015 (Quality); ISO 14001:2015 (Environmental); OSHAS 18001:2007 (Prevention and Worker Safety).


**DOE COMPLIANT**

MODELS	Dimensions (inches) (mm)			Nº Doors	Nº Shelves	Ref.	Ref. Weight (Lbs.) (gr.)	Temp. Range (°F) (°C)	Capacity (Cu. Ft.) (L)	Cond. Unit. H.P.	Case Amps 115 V.	Crated Weight (Lbs.) (Kg.)
	W	D	H									
IUC-UC27F	27-5/8 700	30-1/8 765	35-3/4 910	1	2	R290	0.26 120	0°F -18°C	8 226	1/2	5.1	270 122

FTL LISTED TO UL471 STANDARD AND SANITATION CLASSIFIED TO NSF7 – WE RESERVE THE RIGHT TO CHANGE SPECIFICATIONS WITHOUT PRIOR NOTICE

Project: \_\_\_\_\_  
 Location: \_\_\_\_\_  
 Item #: \_\_\_\_\_ Quantity: \_\_\_\_\_  
 Model #: \_\_\_\_\_

**MODEL: IUC-UC27F** **UNDERCOUNTER:**  
**Undercounter Freezers**

**STANDARD FEATURES**

➤ **Exterior**

- AISI 430 Stainless Steel,
- AISI 304 Stainless Steel Top,

➤ **Interior**

- AISI 430 Stainless Steel.

➤ **Doors**

- Polyurethane insulated doors,
- Self closing doors with stay open feature,
- Stainless Steel heavy-duty hinges,
- Triple chamber snap in door gaskets for easy removal and cleaning,
- **Heated door frames to avoid accumulation of ice,**
- Field reversible door (parts not included),
- Full-height door opening: 23-1/4"x21-7/8" (590x555 mm).

➤ **Insulation**

- CFC-Free polyurethane insulation, entire cabinet structure is foamed-in using a high-density polyurethane insulation,
- Low GWP & Zero ODP effect.

➤ **Shelving**

- (2) Plastic coated wire shelves per section,
- Set of Stainless-Steel shelf brackets,
- Easy remove for cleaning,
- Dimensions WxD: 22-1/4"x17" (565x432 mm).

➤ **Casters**

- 4" diameter casters,
- Locks provided on front set.

➤ **Refrigeration**

- Temperature regulated by thermostatic control,
- Temperature display,
- Hot gas defrost,
- Energy-saving non-electric condensate pan,
- Evaporator coil coated with anti-corrosion material 100% Polyester,
- Forced air refrigeration system,
- Capillary,
- Electric fans,
- Refrigeration capacity: 1456 Btu/h (-22°F) / 427 W (-30°C).

➤ **Electrical**

- Cord and NEMA 5-15P plug.
- Electrical connection is 115V / 1ph / 60 Hz.
- 20 AMP breakers required,

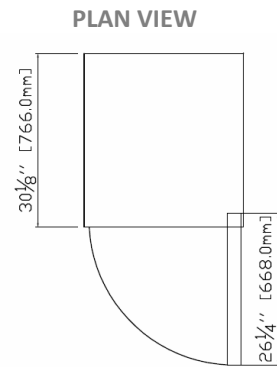
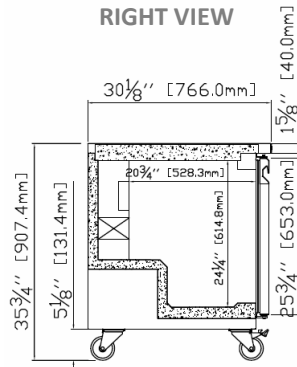
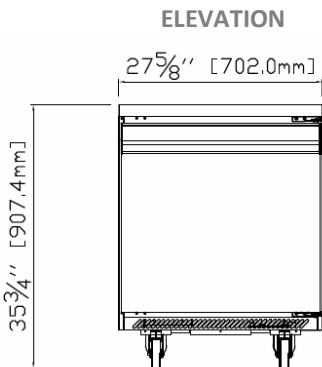


**OPTIONAL FEATURES**

- ✓ Single Overshelf kit.
- ✓ Double Overshelf kit,
- ✓ 4" Backsplash,
- ✓ Set of 2" diameter casters, with lock provided on front set,
- ✓ Electrical connection is 230 V / 1ph / 50 Hz (plug type varies).

➤ **ETL Listed to UL471 Standard and Sanitation classified to NSF7.**

**PLAN VIEW**



ETL LISTED TO UL471 STANDARD AND SANITATION CLASSIFIED TO NSF7 – WE RESERVE THE RIGHT TO CHANGE SPECIFICATIONS WITHOUT PRIOR NOTICE



**Infrico USA Corp.**  
 1409 N.W. 84th Avenue  
 Doral, FL 33126  
 1.305.777.9599 Office  
 1.305.777.9598 Fax

[www.infrico.us](http://www.infrico.us)  
[sales@infrico.com](mailto:sales@infrico.com)

**APPROVALS:** \_\_\_\_\_ **AVAILABLE AT:** \_\_\_\_\_