



Rosita Bisani

SPECIALTY FOOD SERVICES EQUIPMENT

Spiral Dough Mixer
IM-44 DUS



STANDARD FEATURES

- Commercial electric spiral dough mixer.
- Heavy duty construction.
- Stainless steel frame.
- Stainless steel bowl.
- Dual speed.
- Geared motor chain drive system.
- Casters with brake.

OPTIONS

- Lifted head and removable bowl

ITEM:

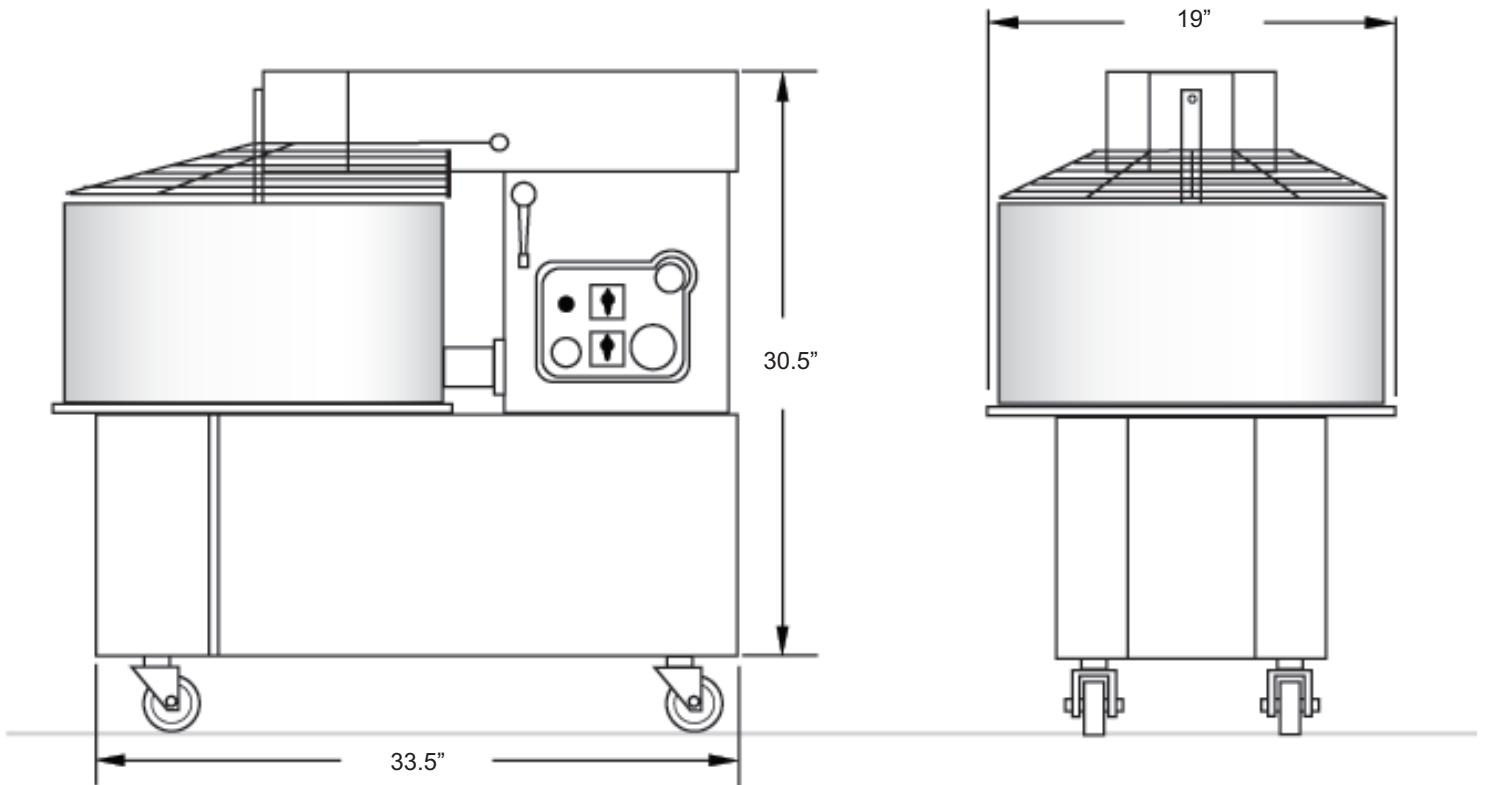
PROJECT:

DATE:

**Spiral Dough Mixer
IM-44 DUS**



Spiral Dough Mixer IM-44 DUS



Model	Flour Capacity	Kneading Capacity	Volume Capacity	Dimensions (Inches) WxDxH	Weight	Power V/hz/ph
IM-44 DUS	66 lbs.	97 lbs.	53 qts.	19 x 33.5 x 30.5	243 lbs.	220/60/3



Rosito Bisani Imports, Inc.
 940 South La Brea Avenue, Los Angeles CA, 90036
 Tel: 323-937-1888 • Fax: 323-938-0728 • Toll Free: 1-800-848-4444
 E-mail: sales@rosito-bisani.com

www.rosito-bisani.com

530 South Henderson Road, Suite F, King of Prussia PA, 19406
 Tel: 610-265-5950 • Fax: 888-576-8524

