



*Rosita Bisani*

SPECIALTY FOOD SERVICE EQUIPMENT

Spiral Dough Mixer  
IM-60 DUS



**STANDARD FEATURES**

- Commercial electric spiral dough mixer.
- Heavy duty construction.
- Stainless steel frame.
- Stainless steel bowl.
- Dual speed.
- Geared motor chain drive system.
- Casters with brake.

**OPTIONS**

- Lifted head

ITEM:

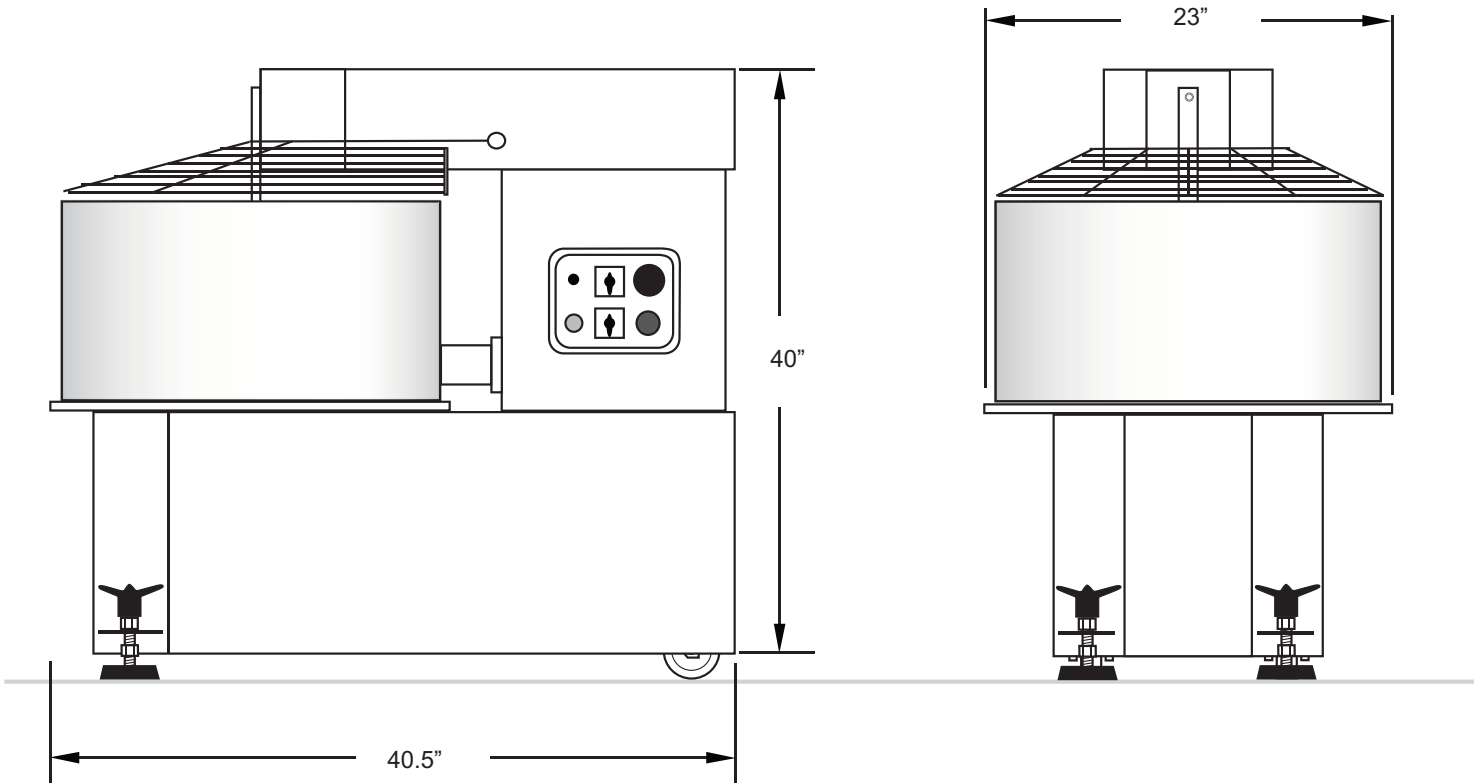
PROJECT:

DATE:

Spiral Dough Mixer  
IM-60 DUS



## Spiral Dough Mixer IM-60 DUS



| Model      | Flour Capacity | Kneading Capacity | Volume Capacity | Dimensions (Inches) WxDxH | Weight   | Power V/hz/ph |
|------------|----------------|-------------------|-----------------|---------------------------|----------|---------------|
| IM-60M DUS | 88 lbs.        | 132 lbs.          | 79 qts.         | 23 x 40.5 x 40            | 550 lbs. | 220/60/3      |



**Rosito Bisani Imports, Inc.**  
 940 South La Brea Avenue, Los Angeles CA, 90036  
 Tel: 323-937-1888 • Fax: 323-938-0728 • Toll Free: 1-800-848-4444  
 E-mail: sales@rosito-bisani.com

[www.rosito-bisani.com](http://www.rosito-bisani.com)

530 South Henderson Road, Suite F, King of Prussia PA, 19406  
 Tel: 610-265-5950 • Fax: 888-576-8524

