

MODEL: IDC-VAR15H
DISPLAY CASES – Pastry Curved Glass

Important: Remove gelato products every night and store them inside a regular freezer, to allow proper defrost cycle and cleaning on the equipment.


General Strengths

- ✓ **Sanitation.** The interior cabinet is built with rounded corners (extensive radius for easy cleaning). Quick ability to take off shelves and slides for interior cleaning. Each cabinet has a drain at the bottom of the unit. When cleaning the unit make sure the drain hose is routed to a floor drain.
- ✓ **Control systems.** Higher precision in managing temperature settings. Greater ability to adjust temperature ranges as per the end user's requirement.
- ✓ **Modular Line.** Closed and open angles to adapt the elements to a determined space. Designed for pastry, Viennese breads and bakery.
- ✓ **100% Tested.** All condenser units are tested 100%, in helium chambers to refrigerant leak detections.
- ✓ **Certified.** Audited and Certified by **INTERTEK** for compliance with UL 471 and NSF 7. AENOR audited and certified by internationally recognized firm. ISO 9001:2008 (Quality); ISO 14001:2004 (Environmental); OSHAS 18001:2007 (Prevention and Worker Safety)
- ✓ **Lighting.** Interior cabinet includes LED lighting, for brighter lighting and energy efficiency. LED saves 90% more energy compared to traditional fluorescent bulbs. Increases product visibility considerably.

MODEL	Dimensions (inches) (mm)			Nº Pans	Ref.	Ref. Weight (Lbs.) (gr.)	Temp. Range (°F) (°C)	Capacity (Cu. Ft.) (L)	Cond. Unit. H.P.	Case Amps	Crated Weight (Lbs.) (Kg.)
	W	D	H								
IDC-VAR15H	64-3/4	45	52	16	R404A	1+1.2	-2°F/+5°F	3.95	1+1/2	6.1 (230V)	660
	1642	1160	1320								

ETL LISTED TO UL471 STANDARD AND SANITATION CLASSIFIED TO NSF7 – WE RESERVE THE RIGHT TO CHANGE SPECIFICATIONS WITHOUT PRIOR NOTICE

MODEL: IDC-VAR15H
DISPLAY CASES – Pastry Curved Glass
STANDARD FEATURES
➤ Exterior

- White compact quartz worktop,
- Lift-up curved tempered security glass system,
- Pull down night curtain on the back,
- ABS thermoformed decoration, White RAL 9016 or Black RAL 9017 standard decoration,
- Built-in casters and levelling feet.

➤ Interior

- AISI 304 Stainless Steel exhibition area,
- **LED Lighting** in the back and front,
- Case is compatible with standard 5 Liter Gelato Pans (14-1/8"x6-1/2"x5-7/8"), pans included.

OPTIONAL FEATURES

- ✓ Customizable decoration for lower front and side panels,
- ✓ Optional decoration: Red RAL 3001, Blue RAL 5015, Orange RAL 2003, Pistachio RAL DESIGN 1107060,
- ✓ Electrical connection is 220-230 V / 1ph / 50 Hz (plug type varies).


➤ Insulation

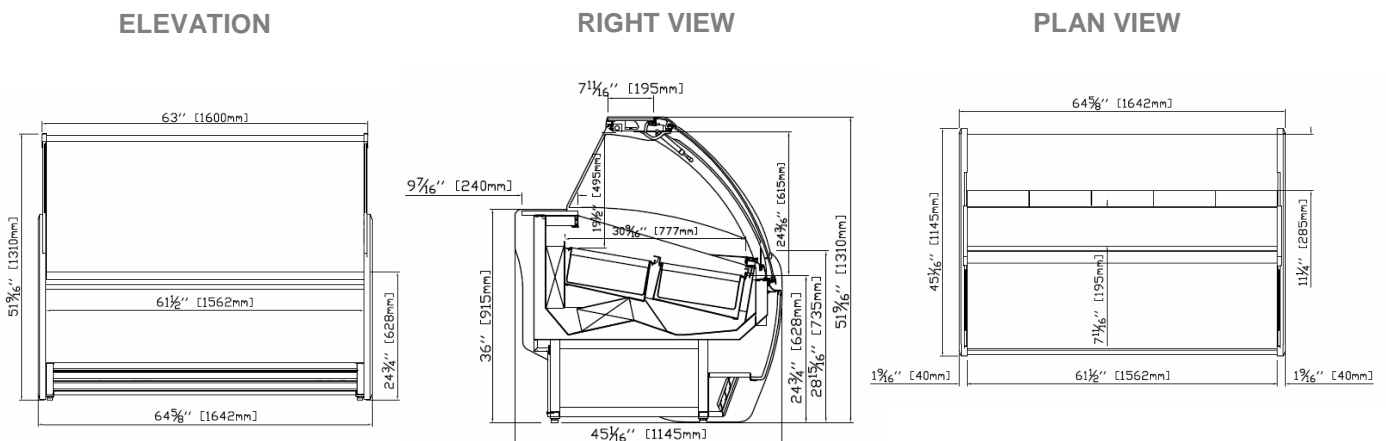
- CFC-Free polyurethane insulation, entire cabinet structure is foamed-in place using a high density polyurethane insulation,
- Low GWP & Zero ODP effect.

➤ Refrigeration

- Digital temperature controller with automatic defrost system,
- Temperature display on front,
- Stainless steel evaporative pan,
- Forced air refrigeration system,
- Case engineered to operate at 75°F (25°C). and 55% relative humidity,
- Refrigeration capacity: 4060 Btu/h(-31°F) / 1190W(-35°C).

➤ Electrical

- Cord and NEMA L14-30P plug, 
- Electrical connection are 230V (Compressor) and 115V (Digital Control) / 1ph / 60 Hz.

➤ ETL Listed to UL471 Standard and Sanitation classified to NSF7.
PLAN VIEW


ETL LISTED TO UL471 STANDARD AND SANITATION CLASSIFIED TO NSF7 – WE RESERVE THE RIGHT TO CHANGE SPECIFICATIONS WITHOUT PRIOR NOTICE